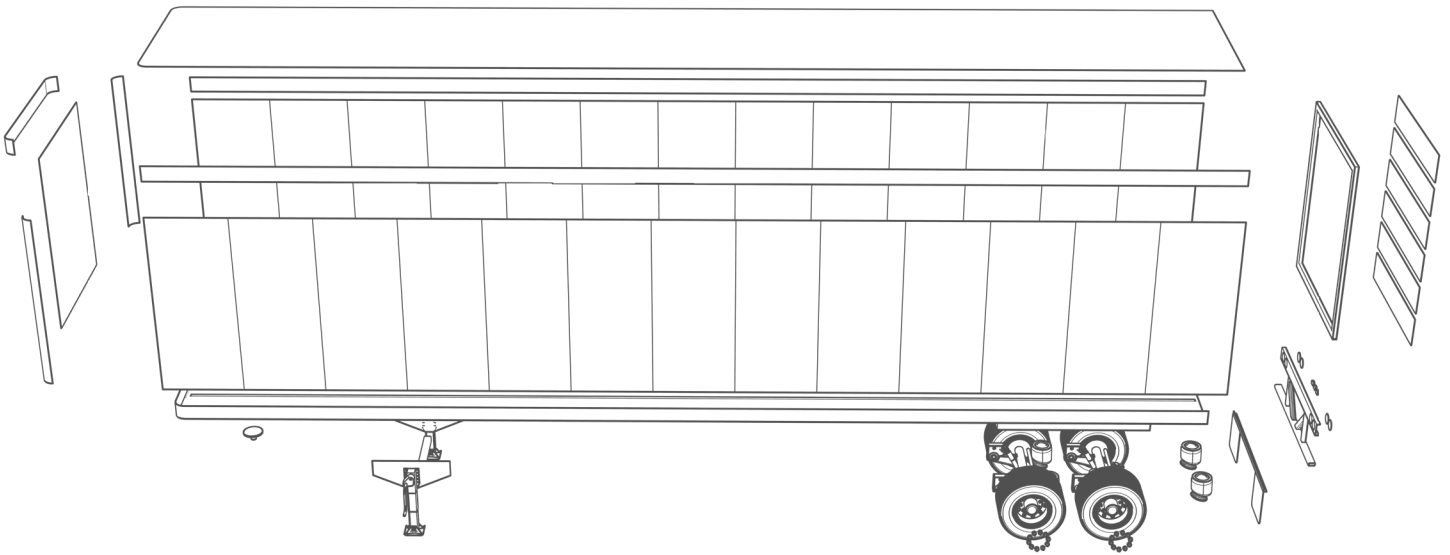




ROAD EQUIPMENT PARTS CENTER



Universal Body Parts



HINTON TRANSPORTATION INVESTMENTS

www.hintoninvestments.com

Copyright © 2023 Hinton Transportation Investments, Inc.

FleetCraft® is a registered trademark of Jomar Qsub, Inc.

All rights reserved.

No part of this catalog may be reproduced or used in any manner without the prior written permission of the copyright owner.

This catalog does not replace the advice of a Original Equipment Manufacturer (OEM). Please consult your OEM representative for application specific inquiries.

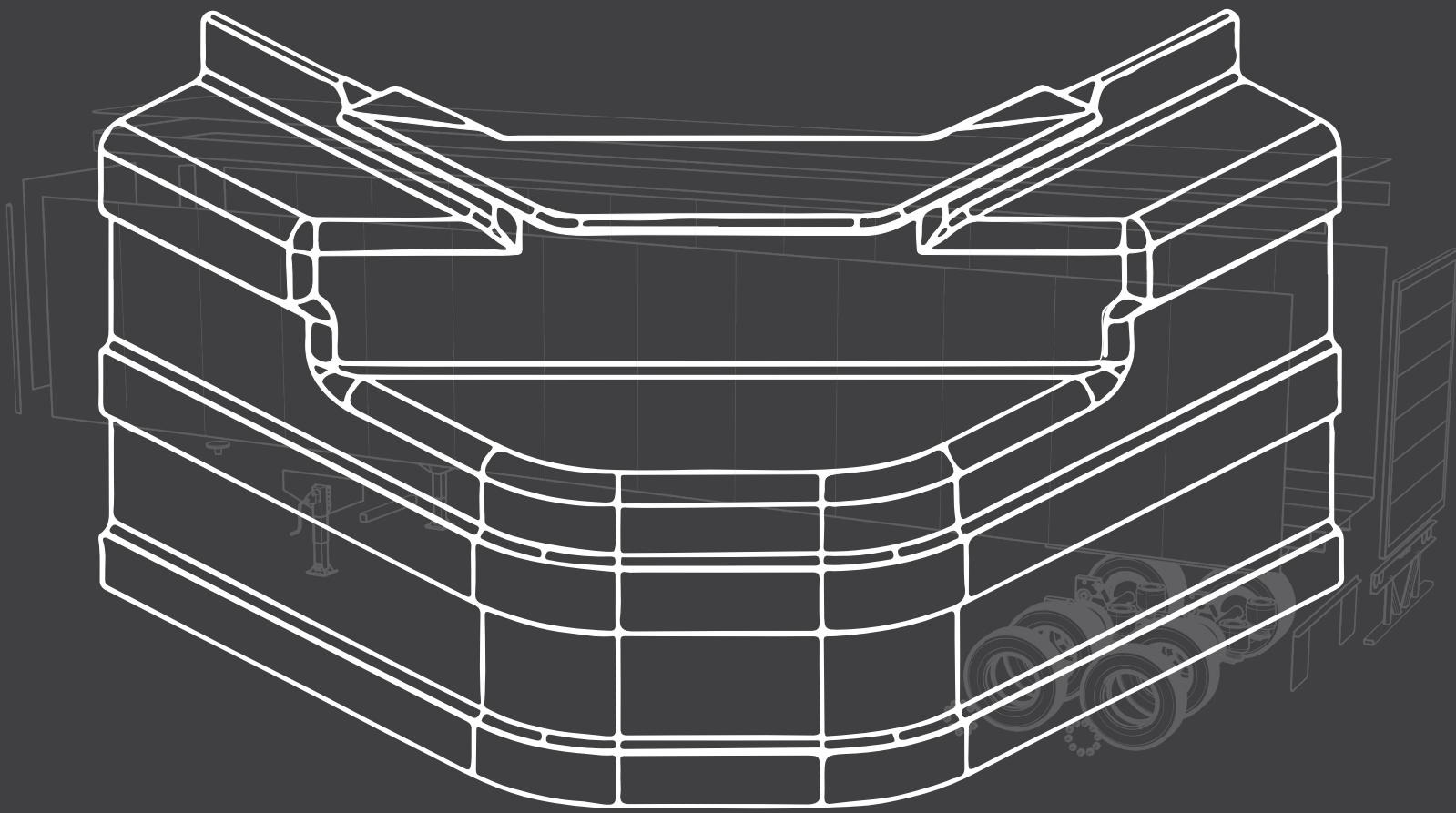


ROAD EQUIPMENT PARTS CENTER

Table of Contents

- Applications 118**
 - Great Dane Style 118
 - Hyundai© 118
 - Mickey® 121
 - Morgan® 121
 - Stoughton® 119
 - Strick® 120
 - Trailmobile® 120
 - Utility Style 118
 - Vanguard® 120
 - WABASH™ 119
 - WABASH™ TRUCK BODY 120
- Corner Caps 7**
 - Corner Caps 8
 - Corner Cap Brackets 15
 - Corner Cap Wire Covers 15
 - Corner Protectors 16
- Crossmembers 93**
 - Accessories 94
 - Aluminum I-Beams 95
 - Steel I-Beams 95
 - Tube Styles 97
- Fasteners 111**
 - Aluminum Bucking Rivets 112
 - Brazier Rivets 112
 - Closed End Rivets 116
 - Encapsulated T-Nuts 117
 - Floor Screws 114
 - Modified Brazier Rivets 112
 - Mono Bolts 117
 - Multi Grip Rivets 116
 - Nylon Tap-IT 117
 - Phillips Bits 115
 - Pop Rivets 116
 - Rivet Set Tools 113
 - Self Tapping Screws 114
 - Socket Adapters 115
 - Square Bits 115
 - Torx Bits 115
 - Uni-Tap 117
 - Universal Rivets 112
- Flooring 99**
 - Apitong Flooring 100
 - Container Flooring 100
 - Floor Channels & Threshold Plates 101
 - Laminate Flooring 100

- Index 122**
- Inner Wall Liner & Scuff 79**
 - Aluminum and Steel Scuffs 80
 - Apitong Tie Slats 80
 - Fiberglass Scuff - Wall Liners 81
 - Hardwood Wall Scuff and Plywoods 80
 - Liner Panels 81
 - Plastic Poly Scuffs 80
- Nose Rails 19**
 - Bottom Nose Rails 20
 - Nose Rails 20
- Panels 73**
 - .040 & .050 Aluminum 76
 - Composite Panels 74
 - Corrugated Panels 76
 - FRP Panels 76
 - Stainless Steel Panels 76
- Posts & Radius Panels 25**
 - Connector Posts 37
 - Corner Radius 26
 - Front Posts 41
 - Inner Radius 38
 - Roof Radius 39
 - Side Posts 43
- Rails 55**
 - Liftpads 63
 - Rub Rail End Caps 56
 - Side Bottom Rails 57
 - Side Rub Rails 56
 - Side Top Rails 64
- Roofing 83**
 - Aluminum Roofing 84
 - J Moldings 85
 - Repairs 90
 - Roof Bows 85
 - Starter Roof Bows 89
 - Translucent Roofing 84
 - Translucent Roofing XLR/ETR 84
- Sealants 103**
 - Adhesives and Sealants 104
 - Floor Repair 108
 - Panel and Roof Repairs 107
 - Roof Sealant 104
 - Tape Products 108





ROAD EQUIPMENT PARTS CENTER

Corner Caps

Corner Caps



FCB005-075

A.M. HAIRE STYLE CURBSIDE

REPLACES
00201



FCB005-075-001

A.M. HAIRE STYLE ROADSIDE

REPLACES
00200



FCB005-217

GREAT DANE STYLE UNIVERSAL P-SERIES

REPLACES
GDP40701232

Corner Caps



FCB005-218

GREAT DANE STYLE UNIVERSAL P-SERIES THINWALL

REPLACES
GDP40702111



FCB005-219

GREAT DANE STYLE UNIVERSAL P-SERIES UPS

REPLACES
GDP40702109



FCB005-220

GREAT DANE STYLE CURBSIDE P-SERIES 1ST GEN COMPOSITE

REPLACES
GDP43000301

Corner Caps



FCB005-220-001

GREAT DANE STYLE ROADSIDE P-SERIES 1ST GEN COMPOSITE

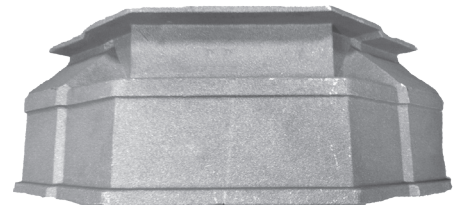
REPLACES
GDP43000302



HY10013257

HYUNDAI UNIVERSAL CASTING CORNER 117-04003

OEM



HY10015416

HYUNDAI ALUMINUM CASTING CORNER 117-04007

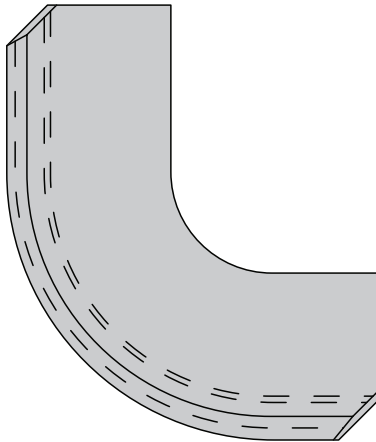
OEM



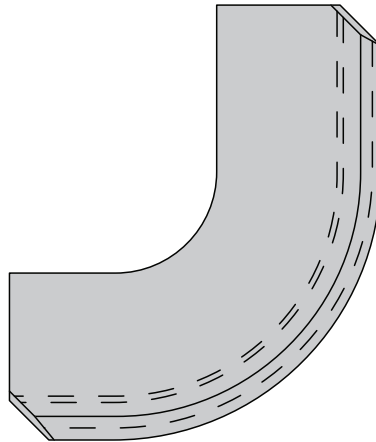
ROAD EQUIPMENT PARTS CENTER

Corner Caps

Corner Caps



HY10043197 OEM
HYUNDAI ROADSIDE CASTING CORNER 117-04372

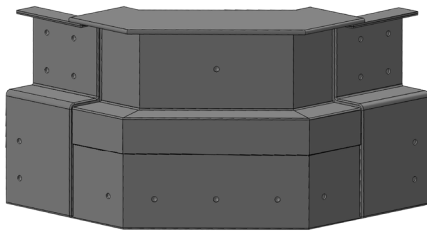


HY10043198 OEM
HYUNDAI CURBSIDE CASTING CORNER 117-04372



HYU10015378 OEM
HYUNDAI CASTING CORNER 117-04006C

Corner Caps



KTRM011016-1 OEM
KENTUCKY® REPL KENM0110161



FCB005-370 REPLACES K945538
KIDRON STYLE CURBSIDE REEFER WITH CUT OUT



FCB005-370-001 REPLACES K945539
KIDRON STYLE ROADSIDE REEFER WITH CUT OUT

Corner Caps



FCB005-401 REPLACES D0065278
LUFKIN STYLE UNIVERSAL 6" RADIUS



FCB005-440 REPLACES 501-115
MANAC STYLE FOR STEEL TOP RAIL



FCB005-440-001 REPLACES 502-105
MANAC STYLE FOR ALUMINUM TOP RAIL

Corner Caps



FCB005-440-002

REPLACES
502-1053

MANAC NEW STYLE FOR ALUMINUM TOP RAIL



FCB005-460

REPLACES
5005716

MICKEY STYLE CURBSIDE



FCB005-460-001

REPLACES
5005714

MICKEY STYLE ROADSIDE

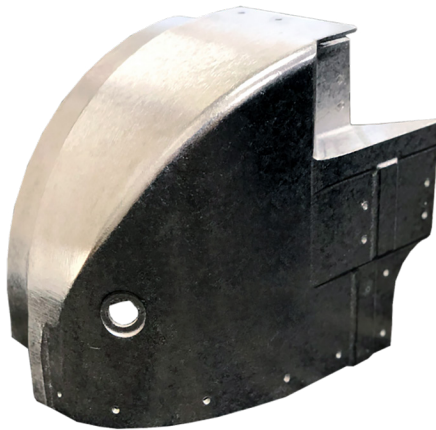
Corner Caps



FCB005-461

REPLACES
6110034

MICKEY STYLE CURBSIDE 2019 AND NEWER



FCB005-461-001

REPLACES
6110035

MICKEY STYLE ROADSIDE 2019 AND NEWER



FCB005-475

REPLACES
301-1A021N

MONON STYLE UNIVERSAL

Corner Caps



FCB005-500

REPLACES
V02-197

MONON STYLE CURBSIDE BEVELED



FCB005-501

REPLACES
V02-198

MONON STYLE ROADSIDE BEVELED



FCB005-502

REPLACES
AI042138

MONON STYLE UNIVERSAL

Corner Caps



FCB005-756 REPLACES 006720056, 6266420
MORGAN STYLE PLASTIC CURBSIDE



FCB005-756-001 REPLACES 006720057, 6266520
MORGAN STYLE PLASTIC ROADSIDE



MOR006720056 OEM
MORGAN PLASTIC CURBSIDE (CAP ONLY)

Corner Caps



MOR006720057 OEM
MORGAN PLASTIC ROADSIDE (CAP ONLY)



MOR6266420 OEM
MORGAN PLASTIC CURBSIDE (KIT), MOR006720056



MOR6266520 OEM
MORGAN PLASTIC ROADSIDE (KIT), MOR006720057

Corner Caps



FCB005-530 REPLACES EE00539
READING (TRG) / AMERICAS BODY CO STYLE CURBSIDE

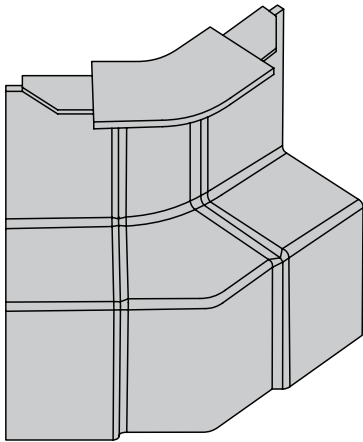


FCB005-530-001 REPLACES EE00540
READING (TRG) / AMERICAS BODY CO STYLE ROADSIDE



SPS04-12835-00000 OEM
STOUGHTON UNIVERSAL MODELS AV/FV/EV

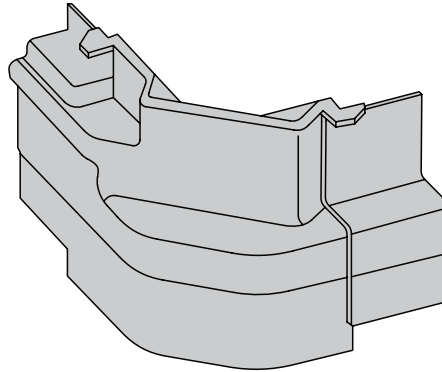
Corner Caps



SPS04-19507-00000

OEM

STOUGHTON CORNER CAP



SPS04-22044-20000

OEM

STOUGHTON CURBSIDE CORNER CAP

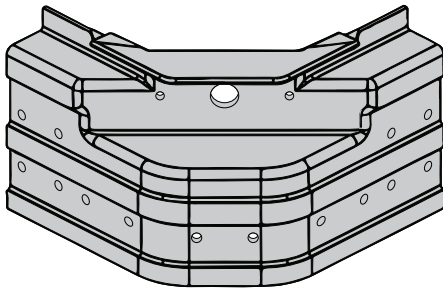


SPS04-28850-00000

OEM

STOUGHTON UNIVERSAL UNPUNCHED

Corner Caps



SPS20-000002

OEM

STOUGHTON UNIVERSAL PUNCHED



SK14394

OEM

STRICK CURBSIDE AA65D00230200

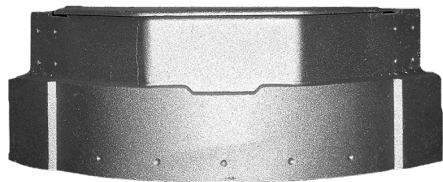


STR01792

OEM

STRICK UNIVERSAL AA65D00280100

Corner Caps



STR03500

OEM

STRICK UNIVERSAL GA65D00030100



STR13256

OEM

STRICK ROADSIDE 9" RADIUS AA65D00310100



STR13257

OEM

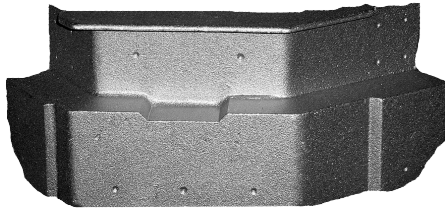
STRICK CURBSIDE 9" RADIUS AA65D00320100



ROAD EQUIPMENT PARTS CENTER

Corner Caps

Corner Caps



STR14393 OEM
STRICK ROADSIDE AA65D00240200

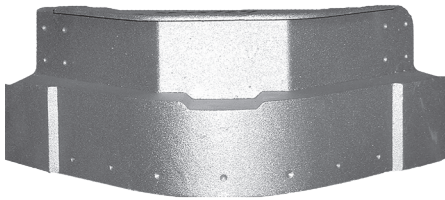


STR54280 OEM
STRICK UNIVERSAL 4" RADIUS



STR54960 OEM
STRICK UNIVERSAL 4" RADIUS

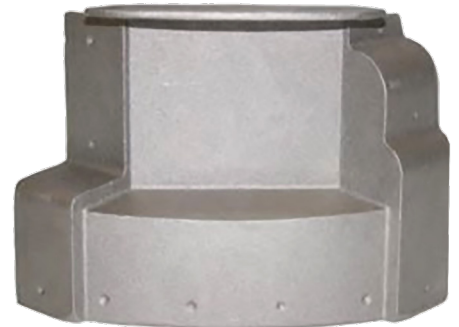
Corner Caps



STR55724 OEM
STRICK UNIVERSAL

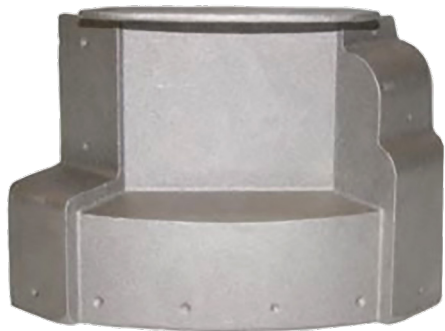


7511-A1-05 OEM
TRAILMOBILE UNIVERSAL

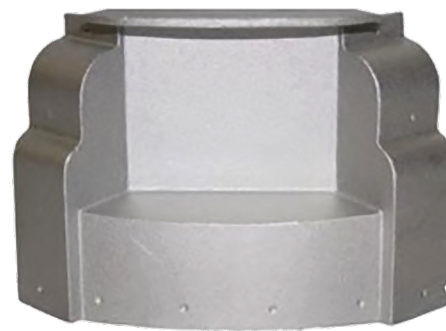


7511-A1-06L OEM
TRAILMOBILE ROADSIDE ULTRA PLATE

Corner Caps



7511-A1-06R OEM
TRAILMOBILE CURBSIDE ULTRA PLATE



7511-A1-08 OEM
TRAILMOBILE UNIVERSAL NEW STYLE ULTRA PLATE



FCB005-825 REPLACES 06800025
UTILIMASTER STYLE ROADSIDE 2002 AND OLDER

Corner Caps



FCB005-825-001 REPLACES 06800026
UTILIMASTER STYLE CURBSIDE 2002 AND OLDER



FCB005-826 REPLACES 06924888
UTILIMASTER STYLE CURBSIDE 2003 AND NEWER



FCB005-826-001 REPLACES 06924889
UTILIMASTER STYLE ROADSIDE 2003 AND NEWER

Corner Caps



FCB005-875 REPLACES WAB04300002
WABASH STYLE UNIVERSAL BEVEL



SUP04400048 OEM
WABASH TRUCK BODY (FORMERLY SUPREME) S SERIES REAR PLASTIC UNIVERSAL, 116406



SUP04400049 OEM
WABASH TRUCK BODY (FORMERLY SUPREME) S SERIES CURBSIDE 2018 AND NEWER

Corner Caps



SUP04400050 OEM
WABASH TRUCK BODY (FORMERLY SUPREME) S SERIES ROADSIDE 2018 AND NEWER



SUP116385 OEM
WABASH TRUCK BODY (FORMERLY SUPREME) VA & VF CURBSIDE



SUP116386 OEM
WABASH TRUCK BODY (FORMERLY SUPREME) VA & VF ROADSIDE



ROAD EQUIPMENT PARTS CENTER

Corner Caps

Corner Caps



SUP116404 OEM
WABASH TRUCK BODY (FORMERLY SUPREME) S SERIES CURBSIDE TO 2018



SUP116405 OEM
WABASH TRUCK BODY (FORMERLY SUPREME) S SERIES ROADSIDE TO 2018

Corner Cap Brackets



FCB005-757 REPLACES 12326
MORGAN STYLE GVSD & GVSR CORNER CAP BRACKET

Corner Cap Brackets



FCB005-758 REPLACES 12325
MORGAN STYLE GVFD & GVMD CORNER CAP BRACKET



MOR12325 OEM
MORGAN GVFD & GVMD CORNER CAP BRACKET



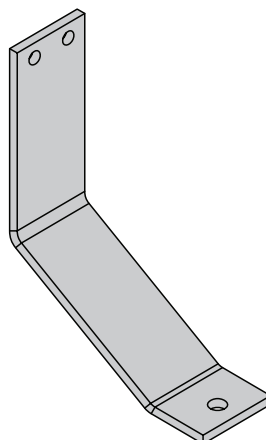
MOR12326 OEM
MORGAN GVSD & GVSR CORNER CAP BRACKET

Corner Cap Brackets

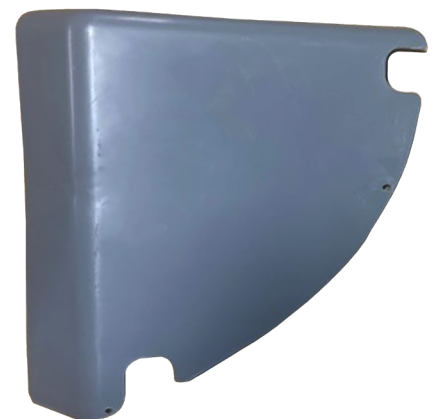
Corner Cap Wire Covers



FCB005-521 REPLACES DB1045
MULTIVANS STYLE CORNER CAP BRACKET



SUP04S03486 OEM
WABASH TRUCK BODY (FORMERLY SUPREME) CORNER CAP BRACKET SVF MODEL, 018576866



SUP04400045 OEM
WABASH TRUCK BODY (FORMERLY SUPREME) CURBSIDE WIRE COVER 2018 AND NEWER FOR SUP04400049, 116996

Corner Cap Wire Covers



SUP04400046 OEM

WABASH TRUCK BODY (FORMERLY SUPREME) ROADSIDE WIRE COVER 2018 AND NEWER FOR SUP04400050, 116997



SUP116468 OEM

WABASH TRUCK BODY (FORMERLY SUPREME) CURBSIDE WIRE COVER THRU 2017 SVF FOR SUP116404



SUP116469 OEM

WABASH TRUCK BODY (FORMERLY SUPREME) ROADSIDE WIRE COVER THRU 2017 SVF FOR SUP116405

Corner Cap Wire Covers



SUP116470 OEM

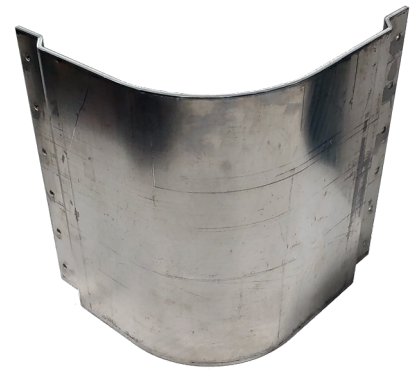
WABASH TRUCK BODY (FORMERLY SUPREME) CURBSIDE WIRE COVER THRU 2017 SVA FOR SUP116404



SUP116471 OEM

WABASH TRUCK BODY (FORMERLY SUPREME) ROADSIDE WIRE COVER THRU 2017 SVA FOR SUP116405

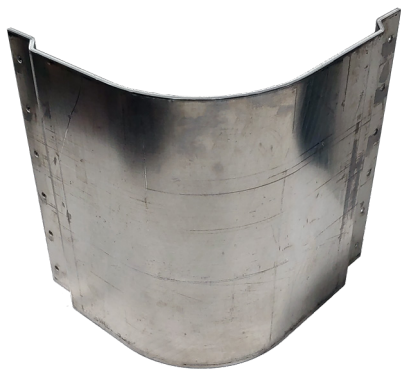
Corner Protectors



HYU2300-DA034-X01 OEM

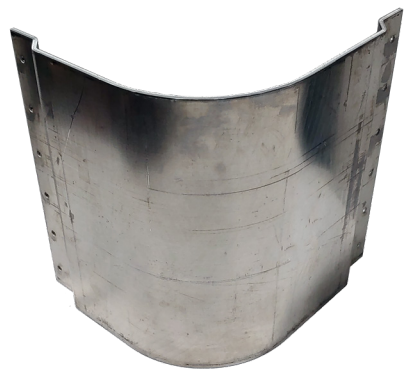
HYUNDAI FRONT CORNER PROTECTOR 1/8" DIAMOND PLATE 12" TALL

Corner Protectors



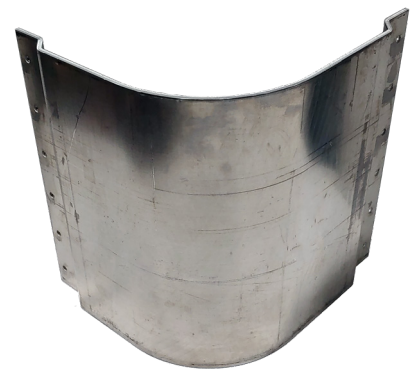
HYU2300-DA034-X07 OEM

HYUNDAI FRONT CORNER PROTECTOR 1/8" SMOOTH ALUMINUM 12" TALL



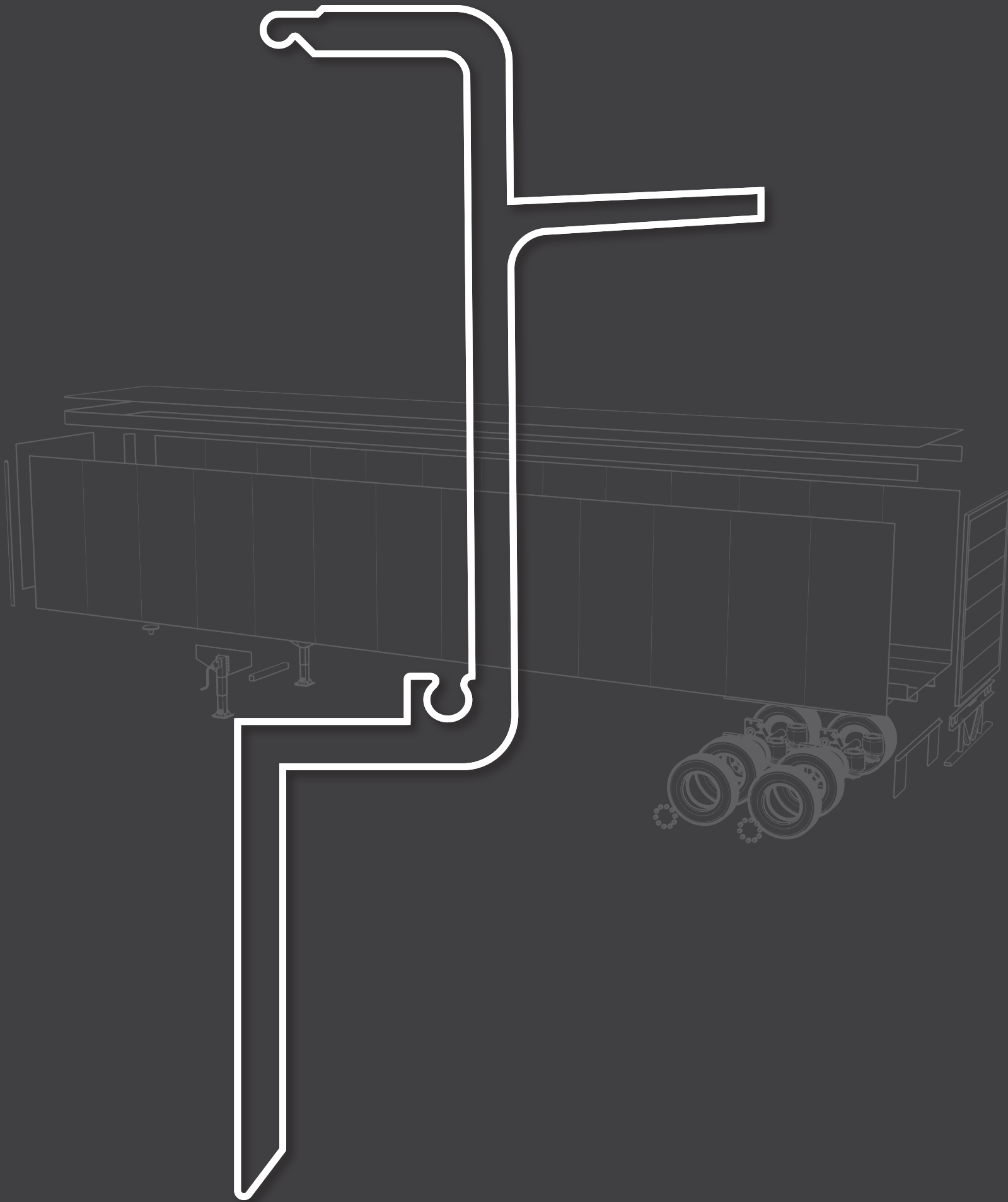
HYU2300LAA010X01 OEM

HYUNDAI FRONT ROADSIDE CORNER PROTECTOR 1/8" SMOOTH ALUMINUM 18" TALL



HYU2300RAA010X01 OEM

HYUNDAI FRONT CURBSIDE CORNER PROTECTOR 1/8" SMOOTH ALUMINUM 18" TALL

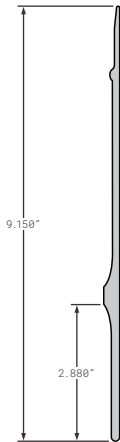




ROAD EQUIPMENT PARTS CENTER

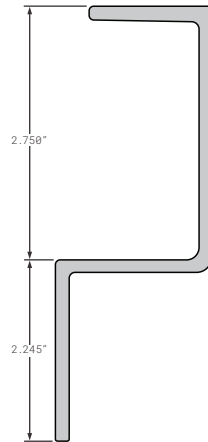
Nose Rails

Bottom Nose Rails

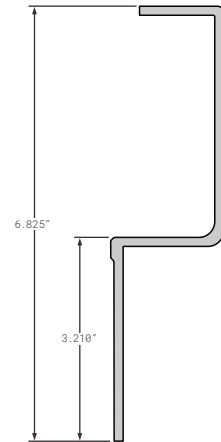


FCB040-214 REPLACES
GDP41200892, GDP69102168, GDP43950316
GREAT DANE STYLE P-VAN 102" WIDE 1 PIECE WRAP AROUND

Nose Rails

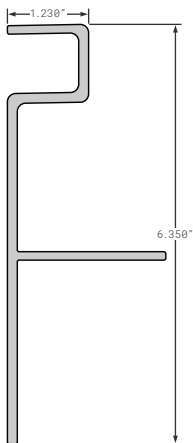


FCB040-209 REPLACES
GDP41203163, GDP41203196
GREAT DANE STYLE CLASSIC, Q-MODEL 102" WIDE 1 PIECE WRAP AROUND

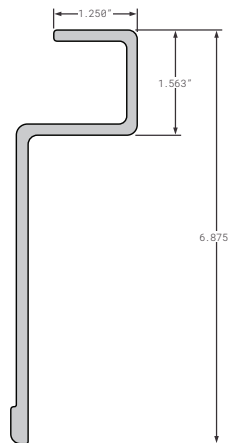


FCB040-211 REPLACES
GDP69103212, GDP41200891
GREAT DANE STYLE P-VAN 102" WIDE 1 PIECE WRAP AROUND

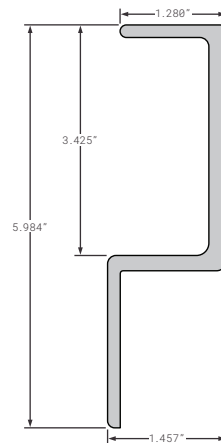
Nose Rails



FCB040-220 REPLACES
60318827X093.00
GREAT DANE 1ST GENERATION
COMPOSITE STRAIGHT FRONT RAIL 93" USE WITH CORNER
CASTING FCB005-220 AND FCB005-220-001

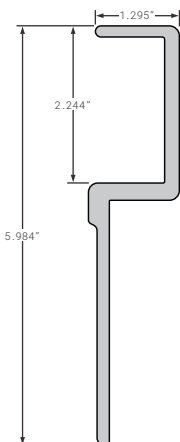


FCB040-221 REPLACES
43901677
GREAT DANE STYLE 2018 COMPOSITE 102" WIDE 1 PIECE
WRAP AROUND

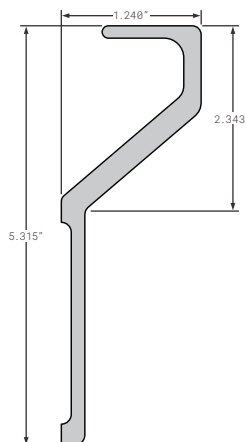


HY10003146 OEM
HYUNDAI 102.125" 1 PIECE WRAP AROUND

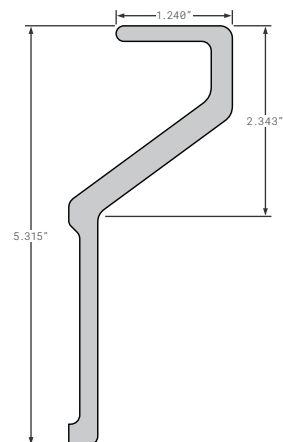
Nose Rails



HY10005195 OEM
HYUNDAI 102.25" 1 PIECE WRAP AROUND

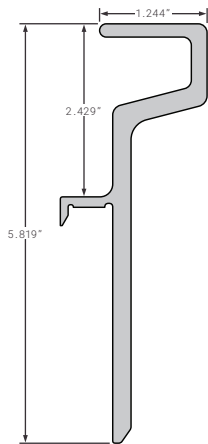


HY10013255 OEM
HYUNDAI 87" STRAIGHT

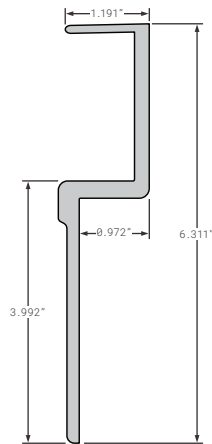


HY10016265 OEM
HYUNDAI 102.375" 1 PIECE WRAP AROUND

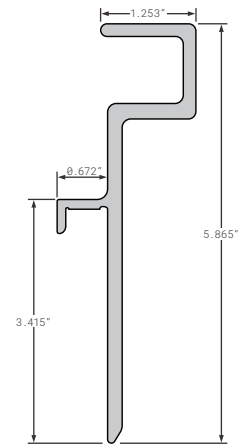
Nose Rails



HY10021329 OEM
HYUNDAI 101.5" 1 PIECE WRAP AROUND

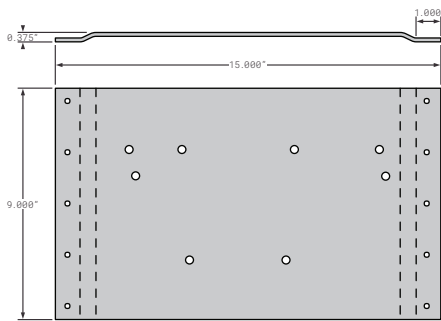


HY10063408 OEM
HYUNDAI 102" 1 PIECE WRAP AROUND

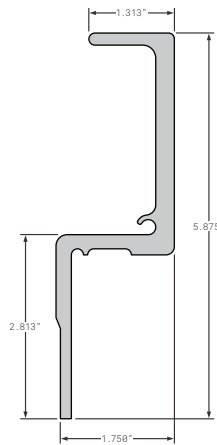


HY10072762 OEM
HYUNDAI LIGHT WEIGHT 102" 1 PIECE WRAP AROUND

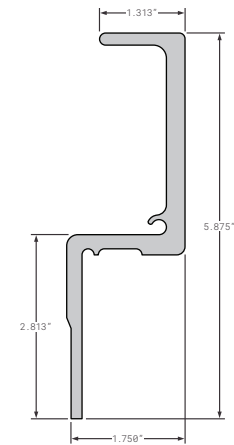
Nose Rails



SPS01-12907-0010 OEM
STOUGHTON NOSE PLATE 15.06in

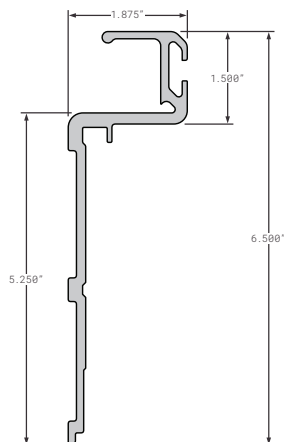


SPS02-06388-08350 OEM
STOUGHTON ALUMINUM ASV 83.5"

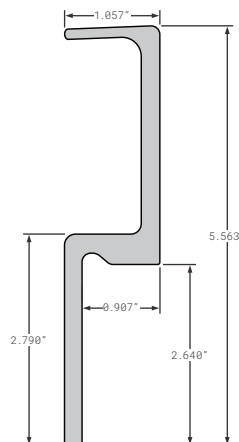


SPS02-06388-09150 OEM
STOUGHTON ALUMINUM 91.5"

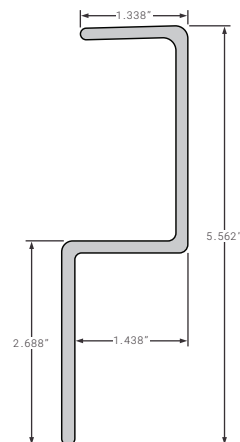
Nose Rails



SPS02-30306-09019 OEM
STOUGHTON UNPUNCHED

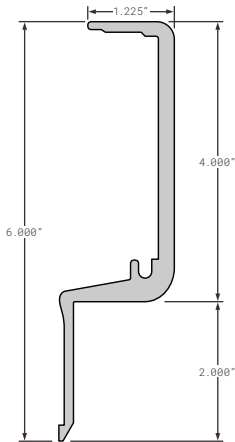


STR47284 OEM
STRICK 100", 8021, SK47281, EA93C000407D1



STR52017 OEM
STRICK 91.875", SK01861, AA93C012207Q1

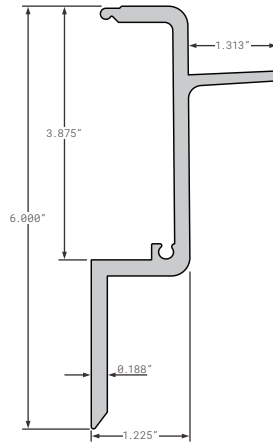
Nose Rails



511-1-130B

REPLACES
511-1-130B

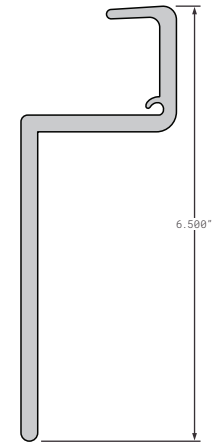
TRAILMOBILE ROUND 102" WIDE 1 PIECE WRAP AROUND



7511-1-125B

OEM

TRAILMOBILE STRAIGHT SECTION FOR PLATE & NEW DRY FREIGHT X 93", 90-4-1978-0-93

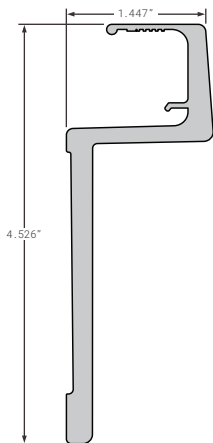


FCB040-806

REPLACES
03-6650-0-423

UTILITY STYLE 3000R REEFER 102" WIDE 1 PIECE WRAP AROUND

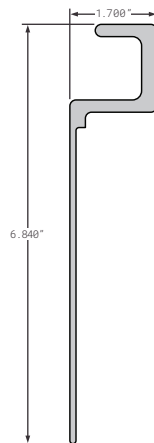
Nose Rails



FCB040-807

REPLACES
03-6650-0-510

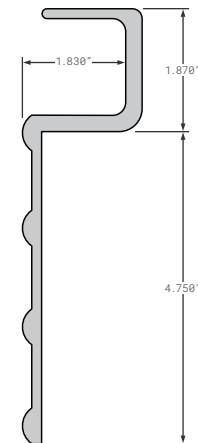
UTILITY STYLE VS2DC & VS2DX 102" WIDE 1 PIECE WRAP AROUND



FCB040-860

REPLACES
FWP00063

VANGUARD OLD STYLE 102" WIDE 1 PIECE WRAP AROUND

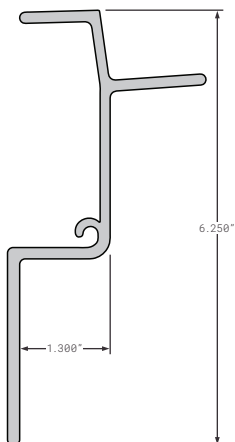


FCB040-865

REPLACES
FWP00178, FWP00100, FWP00104

VANGUARD NEW STYLE 102" WIDE 1 PIECE WRAP AROUND

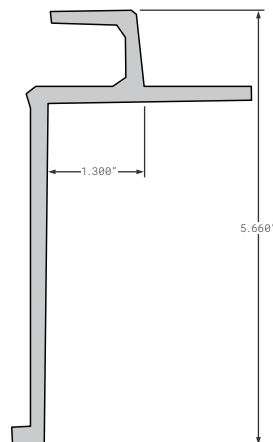
Nose Rails



FCB040-875

REPLACES
WAB04A00211

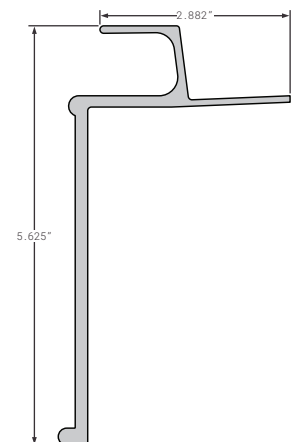
WABASH STYLE SHEET & POST 102" WIDE 1 PIECE WRAP AROUND



FCB040-877

REPLACES
WAB04000001, WAB04000595

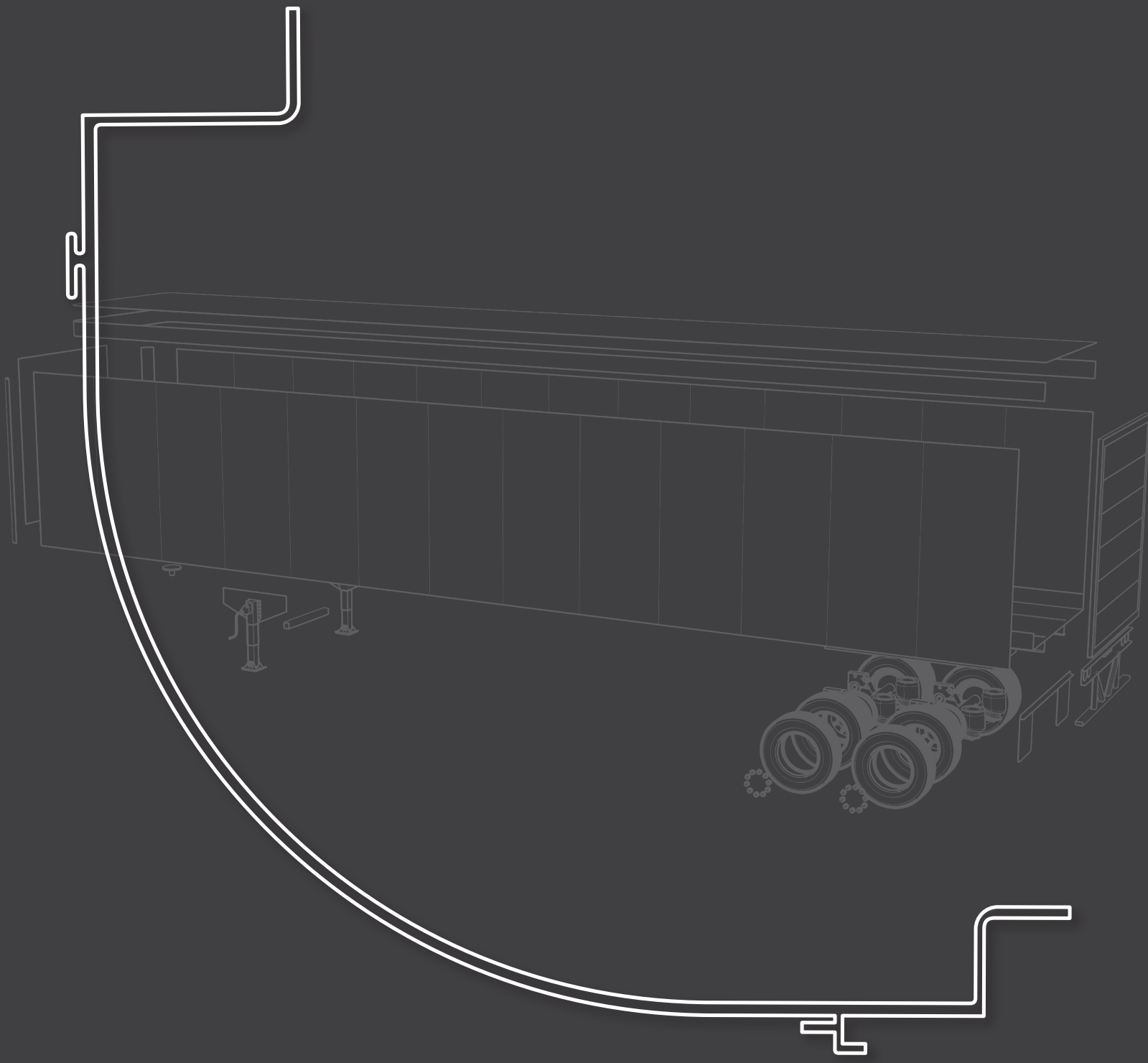
WABASH STYLE ALUMINUM PLATE WELDED 102" WIDE 1 PIECE WRAP AROUND



FCB040-878

REPLACES
WAB04A01826

WABASH STYLE COMPOSITE 102" WIDE 1 PIECE WRAP AROUND

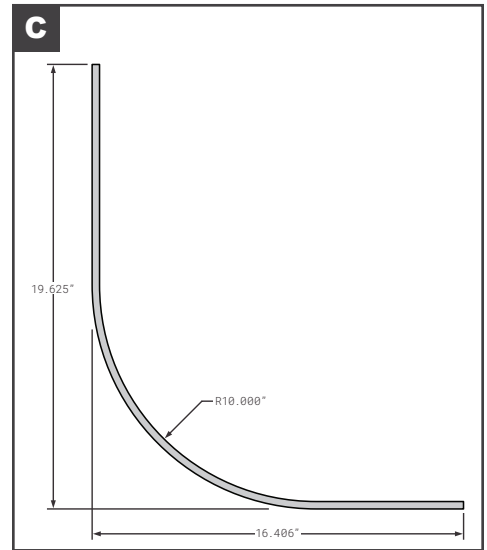
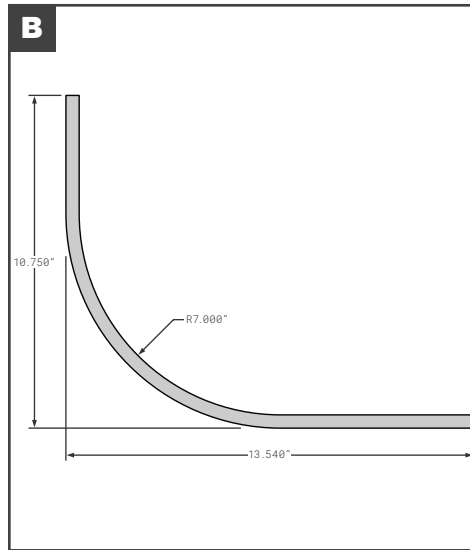
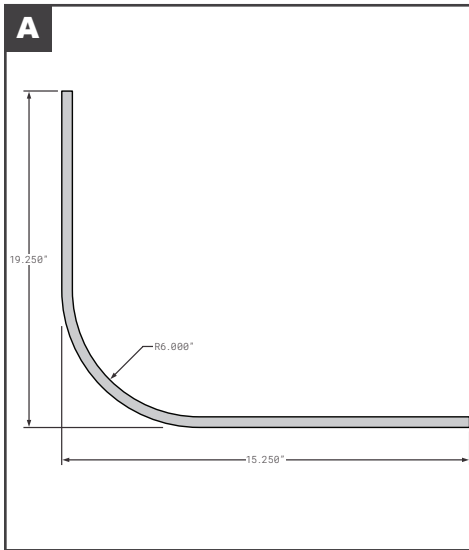




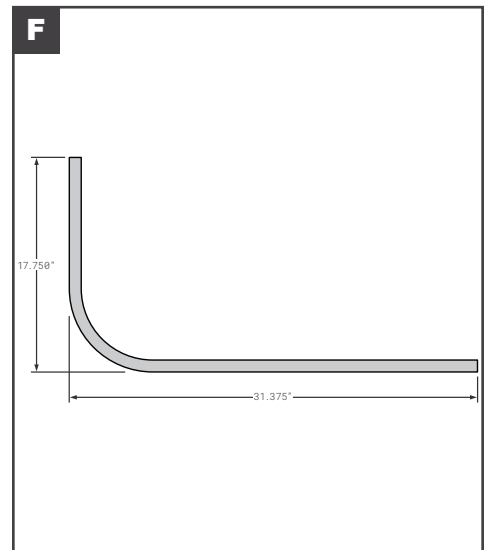
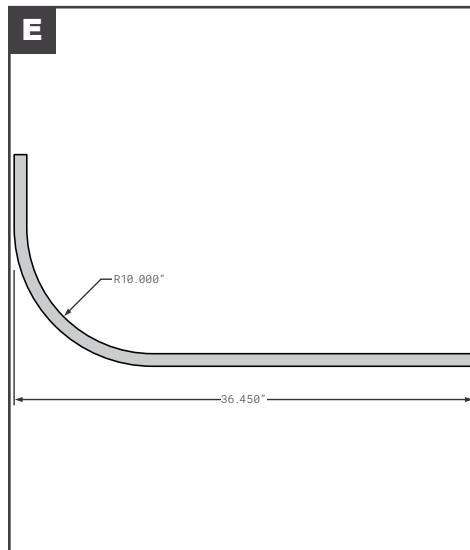
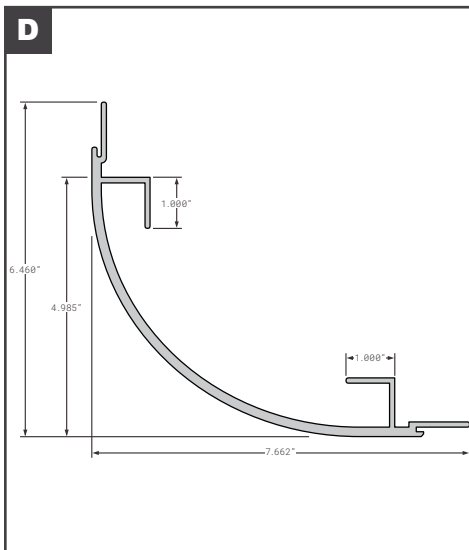
ROAD EQUIPMENT
PARTS CENTER

Posts &
Radius Panels

Corner Radius

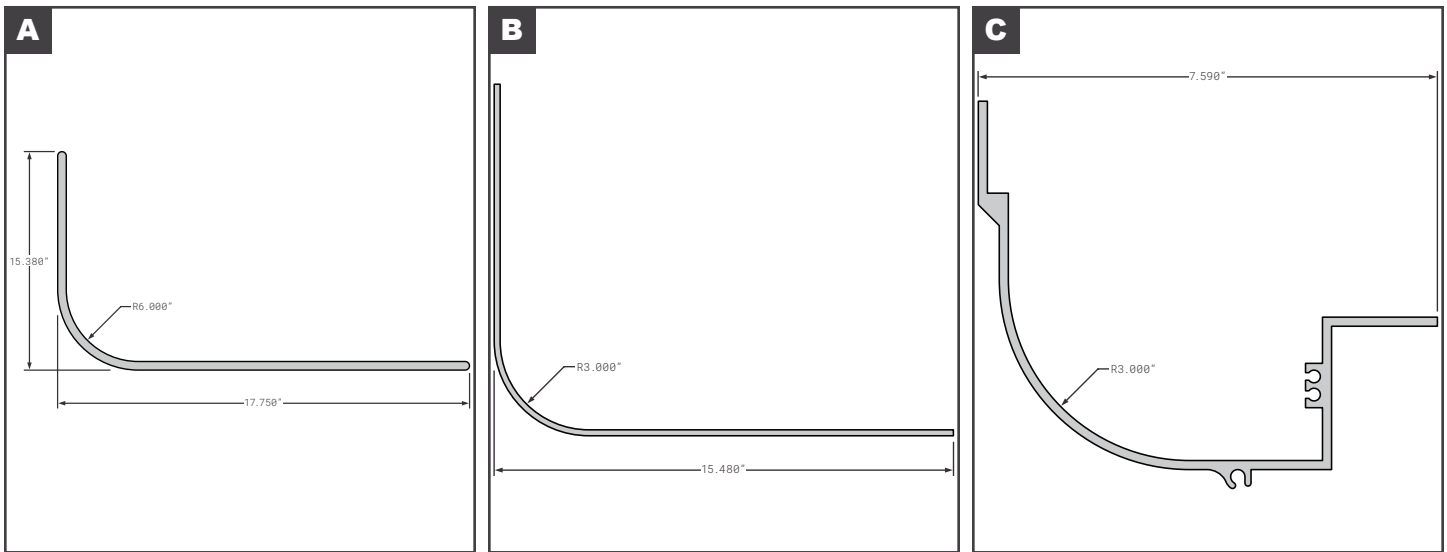


Corner Radius

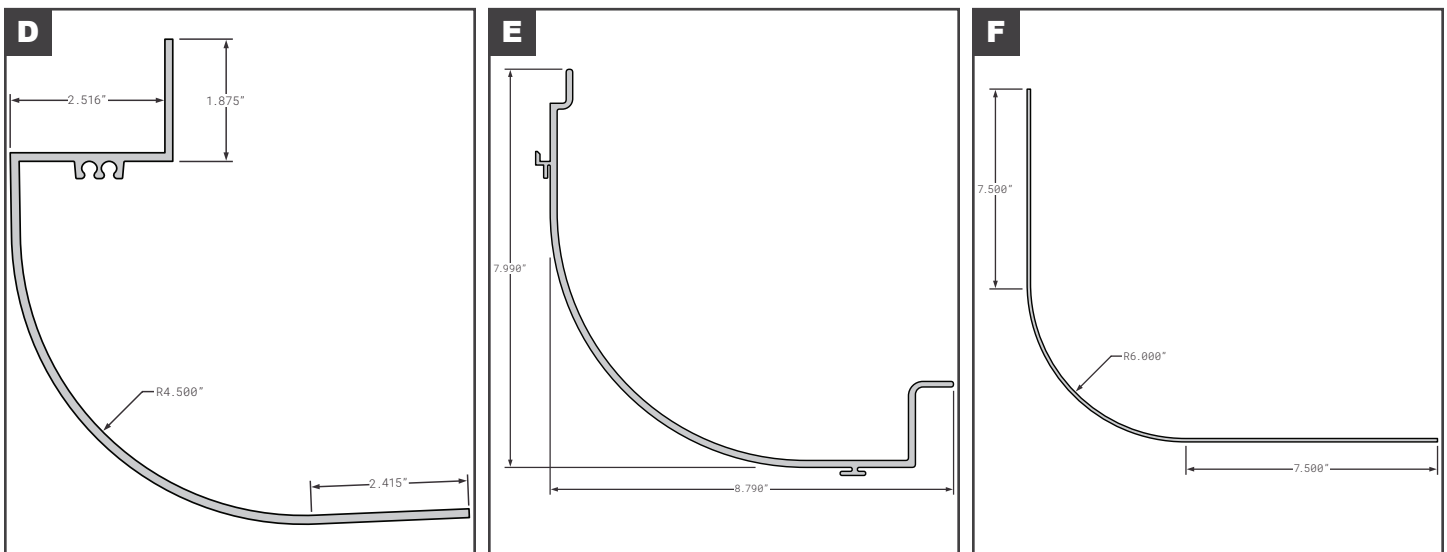


	Part No.	Description	Replaces	Length
A	FCB025-211	UNIVERSAL 6" RADIUS ALUMINUM PPW	GDP69102520001, RP-833K-PPW	110"
B	FCB025-902	UNIVERSAL 7" RADIUS ALUMINUM PPW	--	110"
C	FCB025-905-002	UNIVERSAL 10" RADIUS ALUMINUM PPW	69102520002, ASB5106-CS, FR2896807, FR2896808, 04A00331, 04A00011	110"
D	FCB025-076	A.M. HAIRE STYLE - EXTRUDED ALUMINUM MILL FINISH	00057	125.38"
E	FCB025-200	GREAT DANE 10" RADIUS ALUMINUM PPW	GDP08670	110"
F	FCB025-201	GREAT DANE 6" RADIUS ALUMINUM PPW	00600W, GDP69102520016	110"
F	FCB025-201-001	GREAT DANE 6" RADIUS STAINLESS STEEL	00600S, GDP40801000001, GDP69102520015	110"

Corner Radius

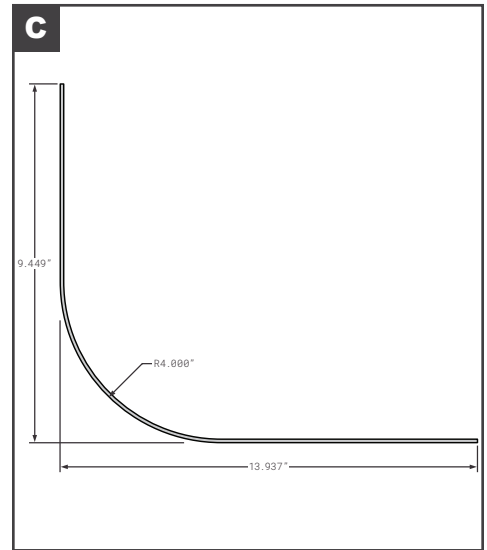
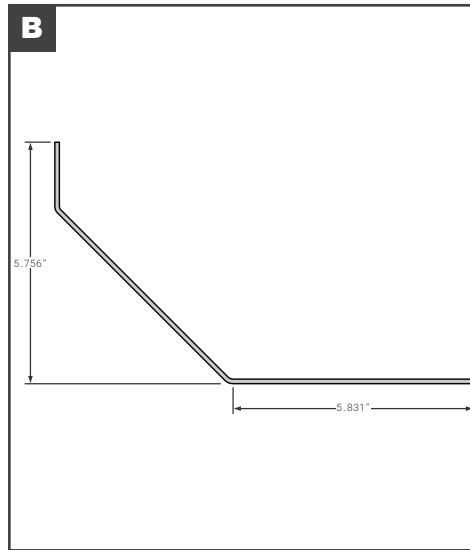
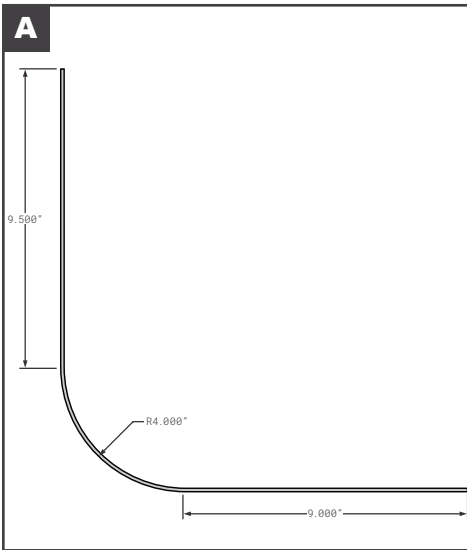


Corner Radius

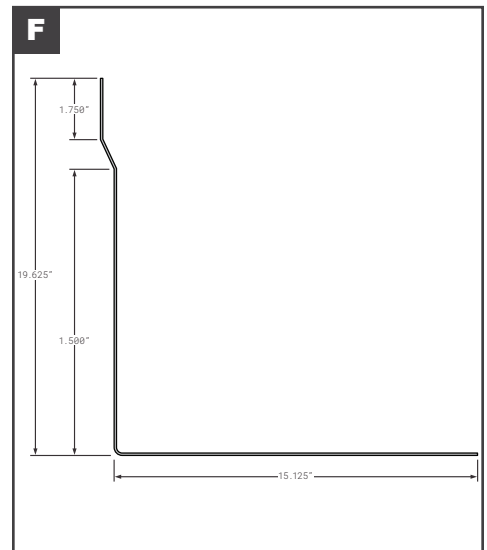
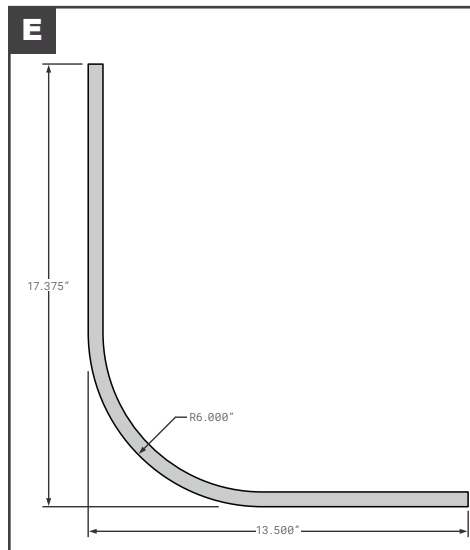
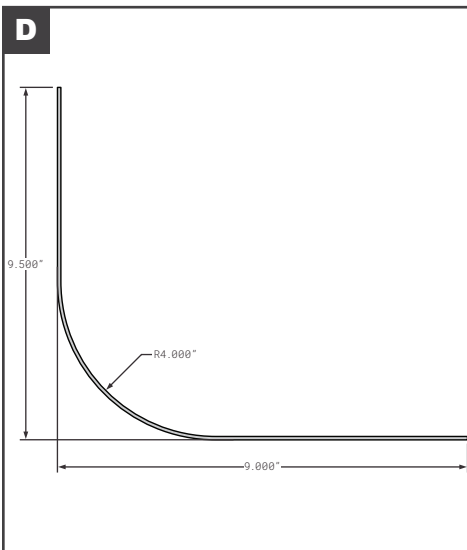


	Part No.	Description	Replaces	Length
A	FCB025-214	GREAT DANE 6" RADIUS ALUMINUM ABF GREY	GDP49900216002	102.25"
B	FCB025-218	GREAT DANE THINWALL P-VAN 3" RADIUS ALUMINUM PPW	GDP69104743004	110"
B	FCB025-218-002	GREAT DANE 3" RADIUS AMAZON BLUE	GDP40900549	104"
C	FCB025-220	GREAT DANE COMPOSITE EXTRUDED ALUMINUM MILL FINISH	GDP60430401X110.56	110.56"
D	FCB025-221	GREAT DANE 2018 OR NEWER COMPOSITE NEW STYLE EXTRUDED ALUMINUM MILL FINISH	GDP6040671X111.30	111.3"
E	HY10066880	HYUNDAI FRONT CORNER POST E05-049	OEM	107"
F	HY20032332	HYUNDAI RADIUS PANEL 6" RADIUS PPW	OEM	109.65"

Corner Radius



Corner Radius



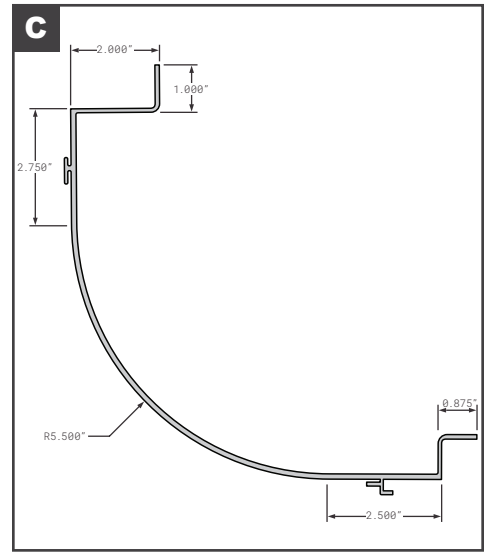
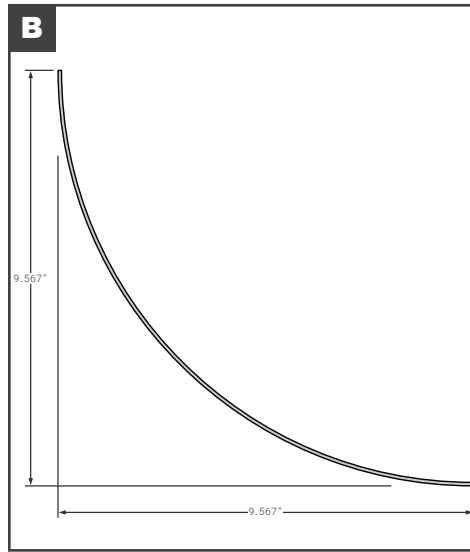
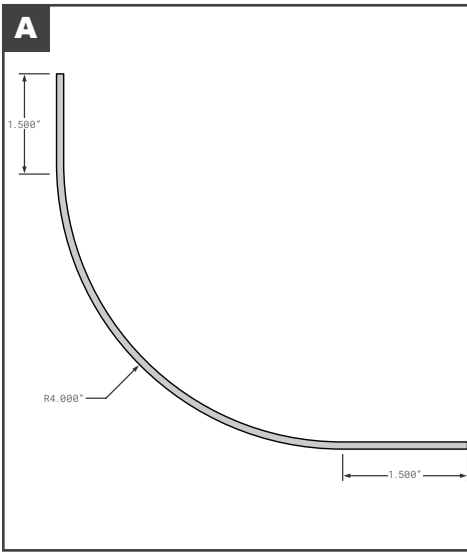
	Part No.	Description	Replaces	Length
A	HY20033886	HYUNDAI RADIUS PANEL	OEM	107.46"
B	HY20050642	HYUNDAI ROADSIDE FRONT POST CORNER BEVELED	OEM	--
C	HY20054038	HYUNDAI RADIUS PANEL 4" STAINLESS STEEL MIRROR FINISH	OEM	102.188"
D	HY20084076	HYUNDAI RADIUS PANEL FRONT END 4" PPW	OEM	110"
E	HY20084150	HYUNDAI RADIUS PANEL FRONT END 6IN RADIUS PPW	OEM	110"
F	HY20092262	HYUNDAI INNER RADIUS FRONT LINING SUPPORT ROADSIDE	OEM	--
F	HY20092263	HYUNDAI INNER RADIUS FRONT LINING SUPPORT CURBSIDE	OEM	--



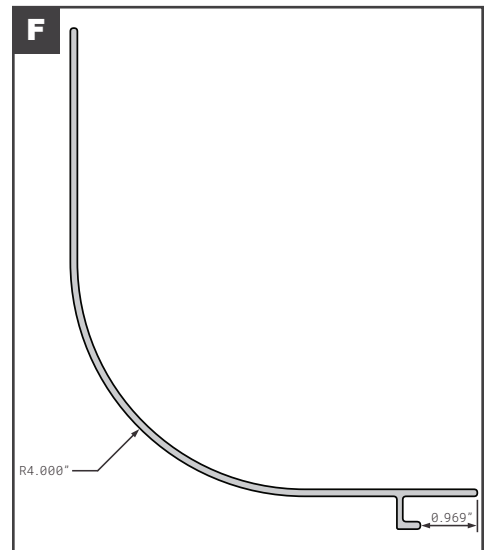
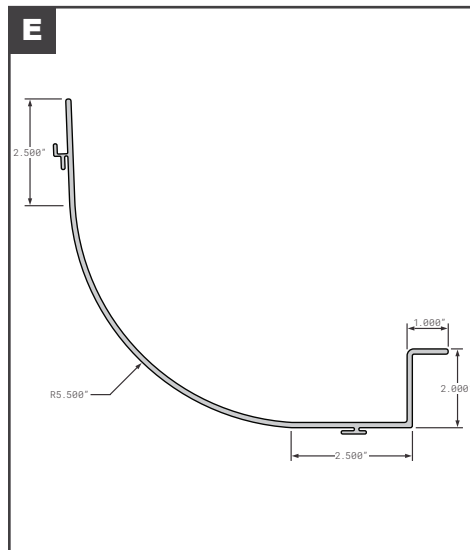
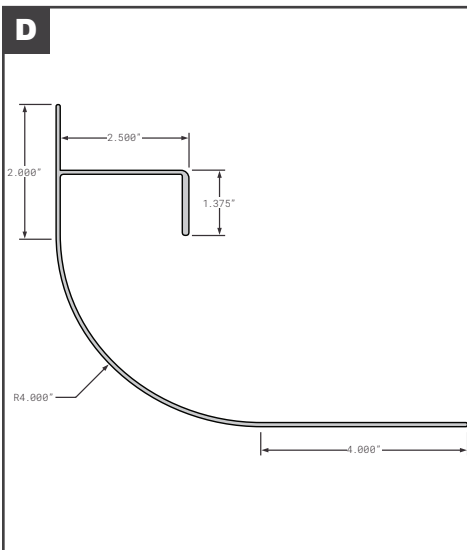
ROAD EQUIPMENT PARTS CENTER

Corner Radius

Posts & Radius Panels

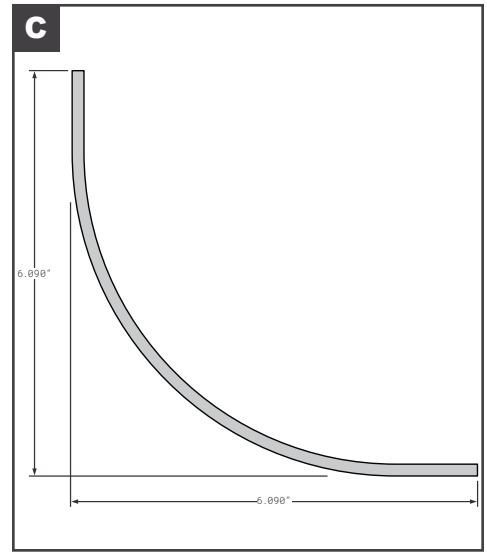
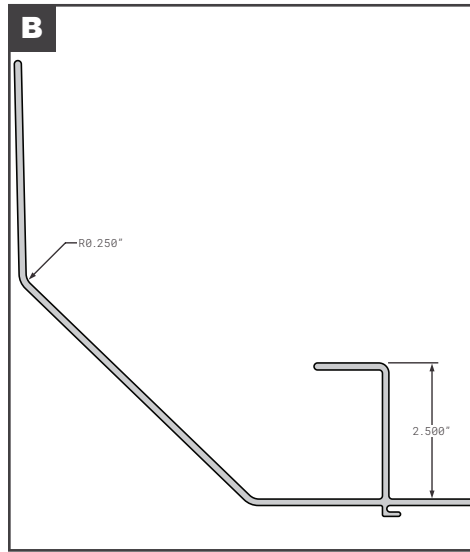
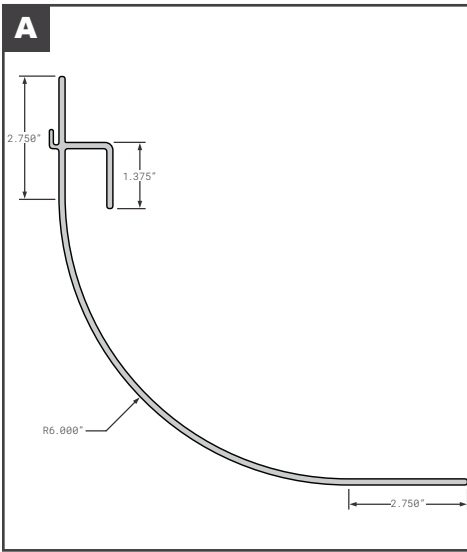


Corner Radius

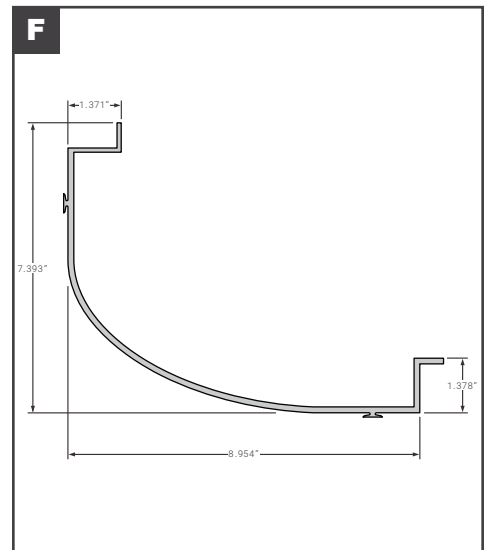
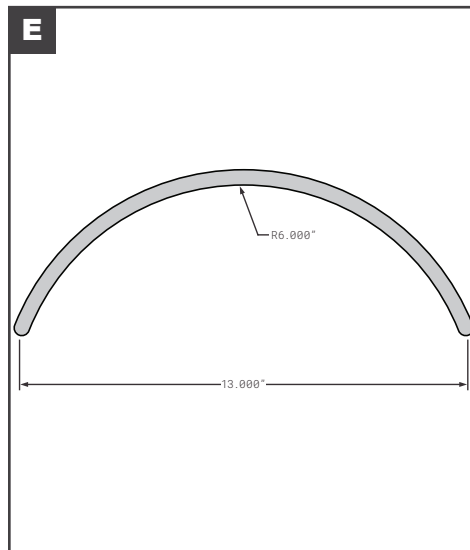
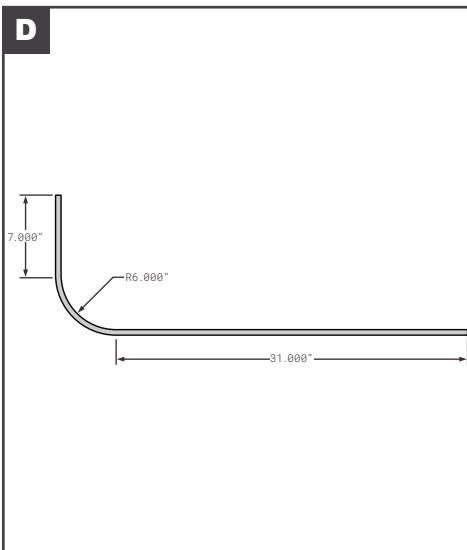


	Part No.	Description	Replaces	Length
A	HY200TDB007X01	HYUNDAI RADIUS PANEL INSERT 117-05471-19	OEM	--
A	HY200TDB007X02	HYUNDAI RADIUS PANEL INSERT STAINLESS STEEL 117-05471-20	OEM	103.38"
B	HY20116322	HYUNDAI RADIUS PANEL INSERT 117-05471 PPW	OEM	102.2"
C	HYE05-023-1068	HYUNDAI FRONT CORNER POST	OEM	2706MM
D	HYE05-031-1100	HYUNDAI FRONT CORNER POST	OEM	109.5"
E	HYE05-036-1098	HYUNDAI FRONT CORNER POST	OEM	110.65"
F	HYE05-040-1120	HYUNDAI FRONT CORNER POST	OEM	103.66"

Corner Radius

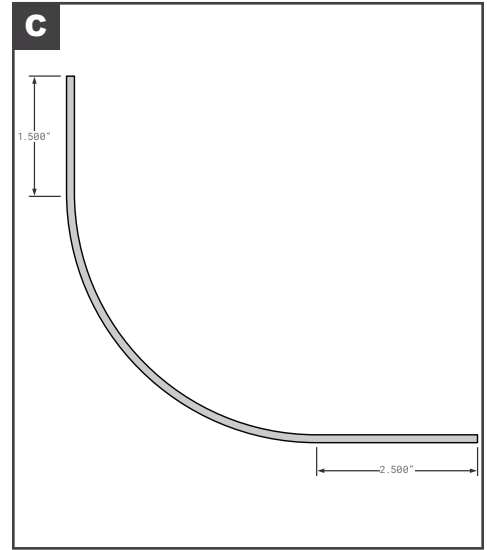
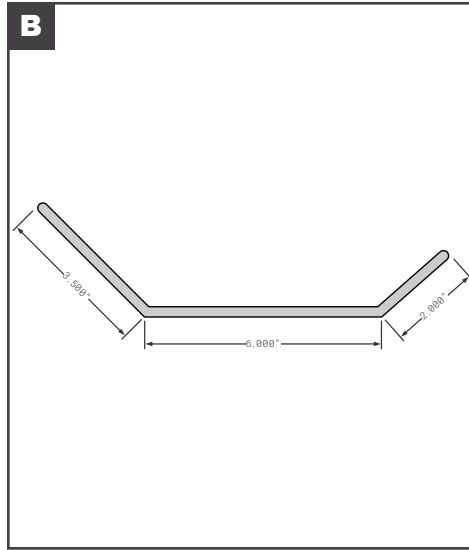
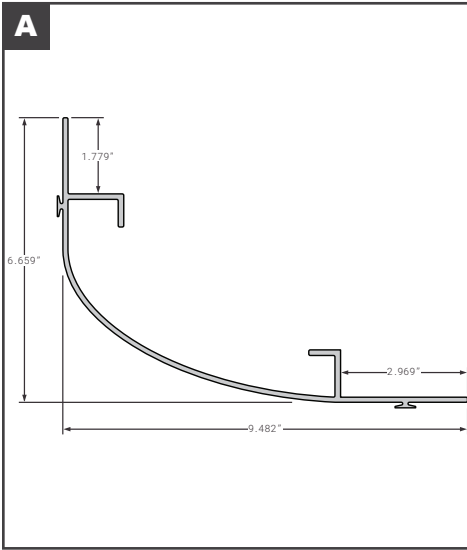


Corner Radius

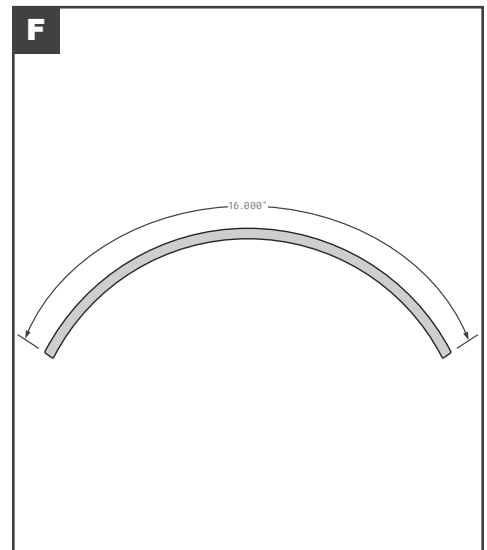
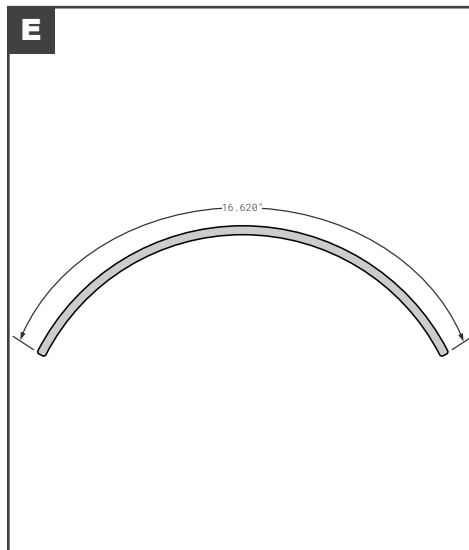
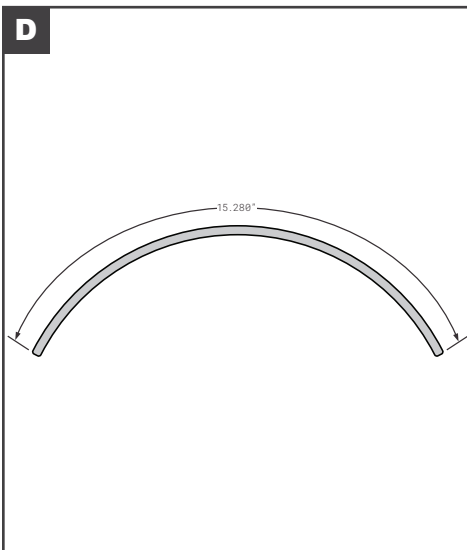


	Part No.	Description	Replaces	Length
A	HYE05-041-103B	HYUNDAI FRONT CORNER POST	OEM	103.66"
B	HYE05-043-1100	HYUNDAI FRONT CORNER POST BEVELED	OEM	110"
C	FCB025-371	KIDRON DRY FREIGHT & REEFER - EXTRUDED ALUMINUM MILL FINISH	111027	106.38"
D	FCB025-400	LUFKIN 6" RADIUS ALUMINUM PPW	PDA65611, A0065611	110"
E	FCB025-440	MANAC 6" RADIUS WITH JOGGLE ALUMINUM PPW	567-058	110"
F	FCB025-461	MICKEY STYLE - EXTRUDED ALUMINUM MILL FINISH	5008546	111.125"

Corner Radius

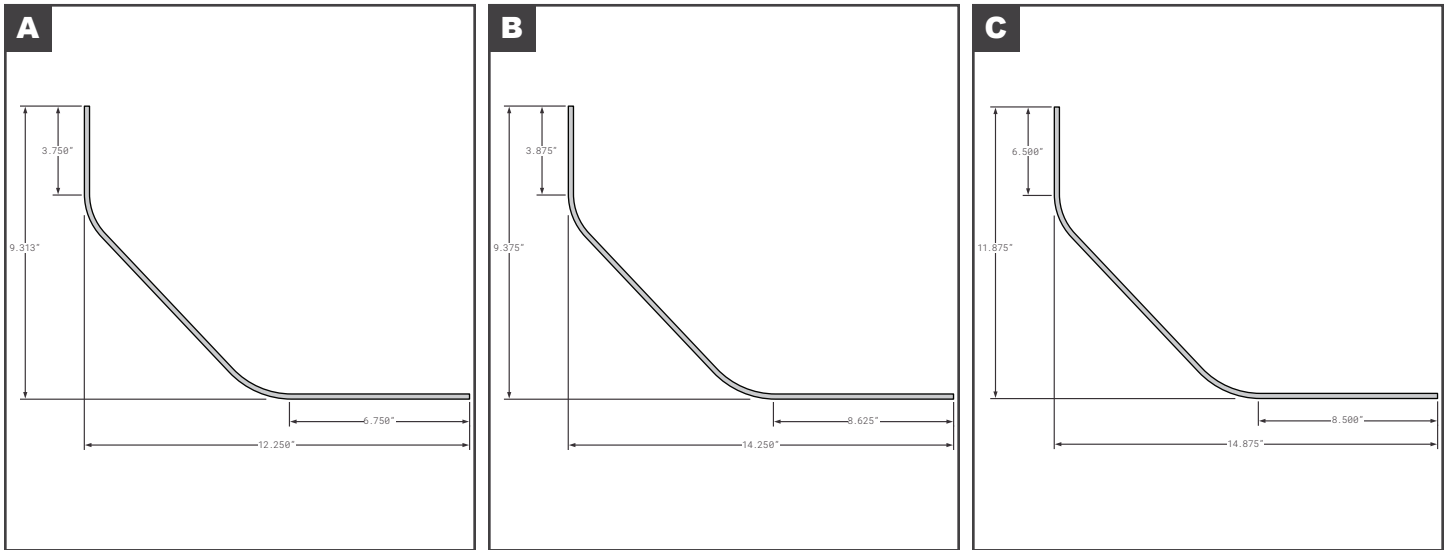


Corner Radius

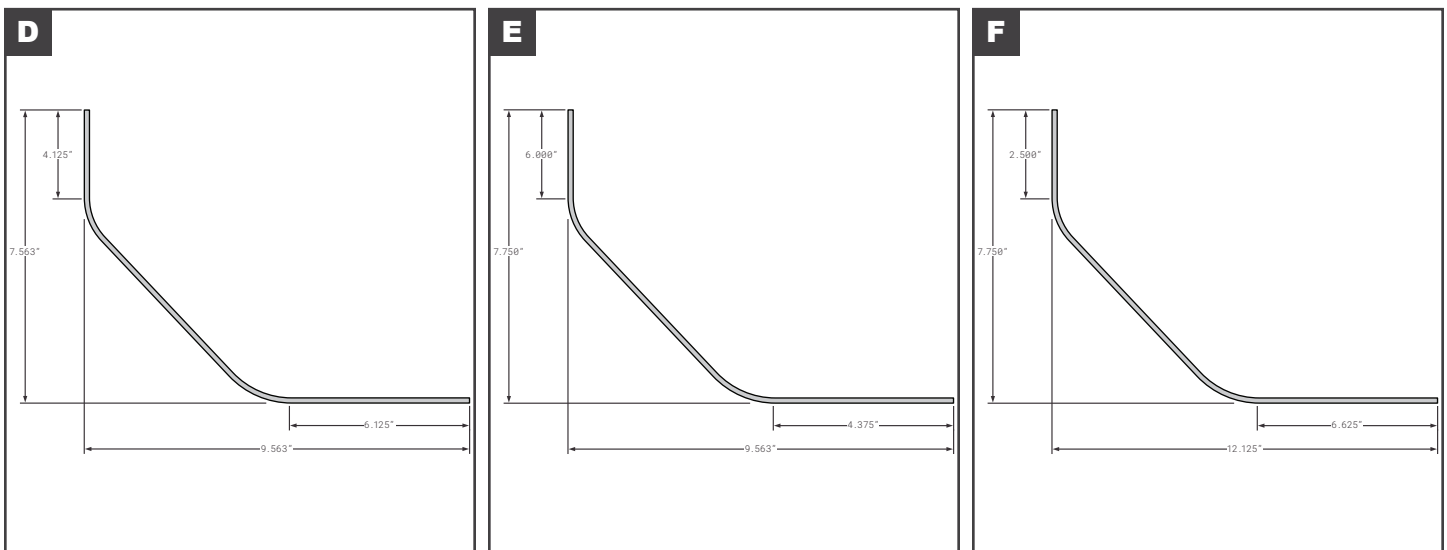


	Part No.	Description	Replaces	Length
A	FCB025-462	MICKEY STYLE NEW STYLE - EXTRUDED ALUMINUM MILL FINISH	5114436	111.125"
B	FCB025-502	MONON BEVELED RADIUS ALUMINUM PPW	EC033532	110"
C	FCB025-503	MONON ROUND RADIUS ALUMINUM PPW	EC041408-B	110"
D	FCB025-754	MORGAN STYLE FOR 109" TALL - ALUMINUM MILL FINISH	00660	104.31"
D	FCB025-755	MORGAN STYLE FOR 109" TALL - STAINLESS STEEL	01424	104.31"
D	MOR00660	MORGAN FOR 109" TALL - ALUMINUM MILL FINISH	OEM	104.31"
D	MOR01424	MORGAN FOR 109" TALL - STAINLESS STEEL	OEM	104.31"
E	FCB025-754-001	MORGAN STYLE FOR PVMD - ALUMINUM MILL FINISH	0065363	104.31"
E	MOR0065363	MORGAN PVMD - ALUMINUM MILL FINISH	OEM	83"
F	FCB025-521	MULTIVANS STYLE MILL FINISH ALUMINUM	DB100603, DB100605, MV1510M/104	104.5"

Corner Radius

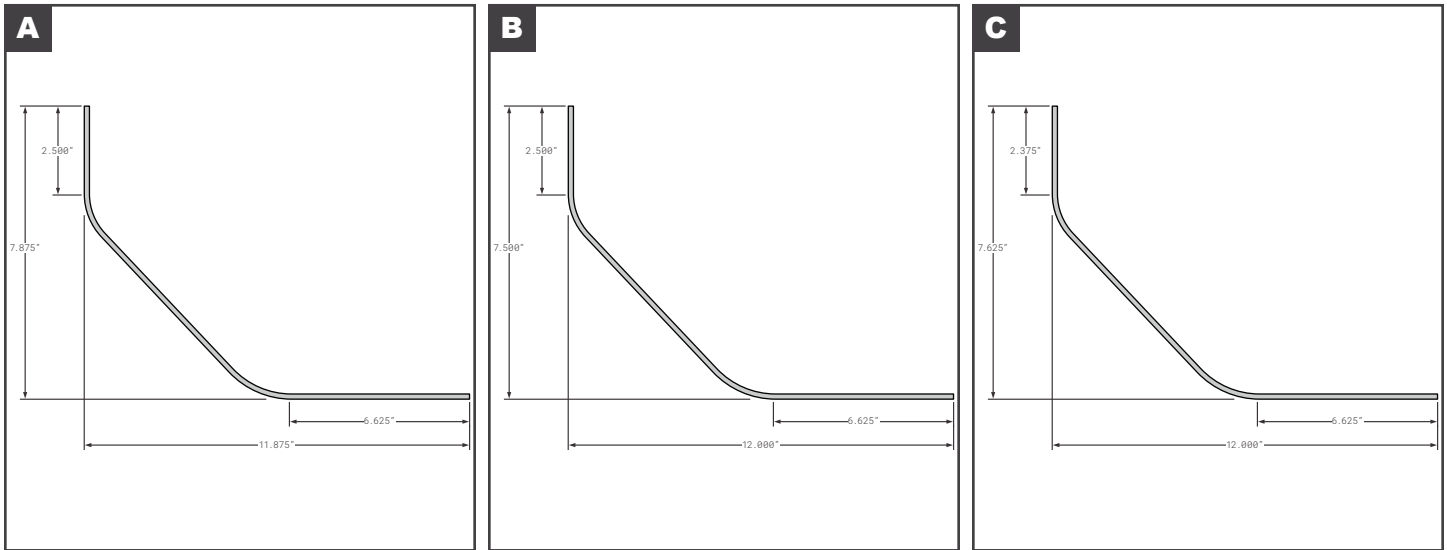


Corner Radius

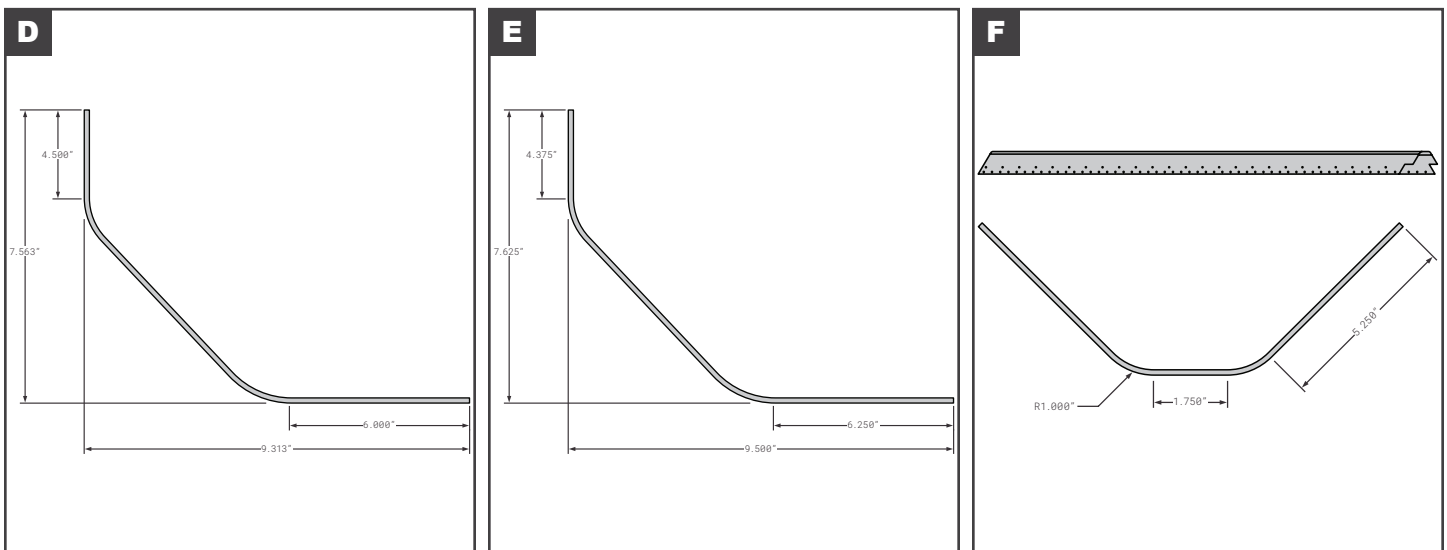


	Part No.	Description	Replaces	Length
A	SPS01-12994-XXX00	STOUGHTON CORNER RADIUS BEVELED PPW	OEM	107"
B	SPS01-20165-XXX-00	STOUGHTON RADIUS ALUMINUM BEVELED PPW	OEM	110"
C	SPS01-20893-10500	STOUGHTON CORNER RADIUS ROADSIDE	OEM	--
D	SPS01-22583-10600	STOUGHTON ROADSIDE CORNER RADIUS 15.25"	OEM	104.88"
E	SPS01-22583-20600	STOUGHTON CURBSIDE CORNER RADIUS 15.25"	OEM	105.75"
F	SPS01-26416-10600	STOUGHTON ROADSIDE CORNER RADIUS 17" PPW	OEM	103.2"

Corner Radius

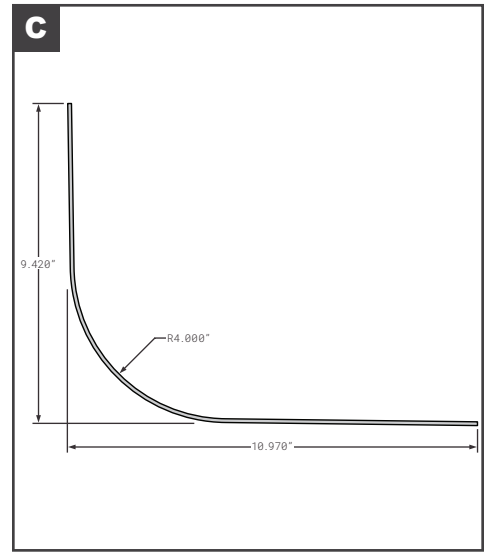
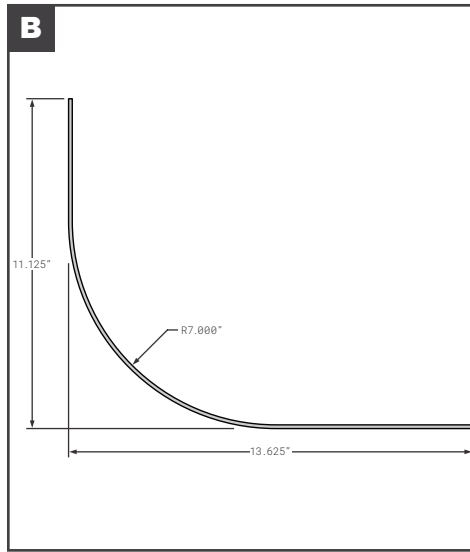
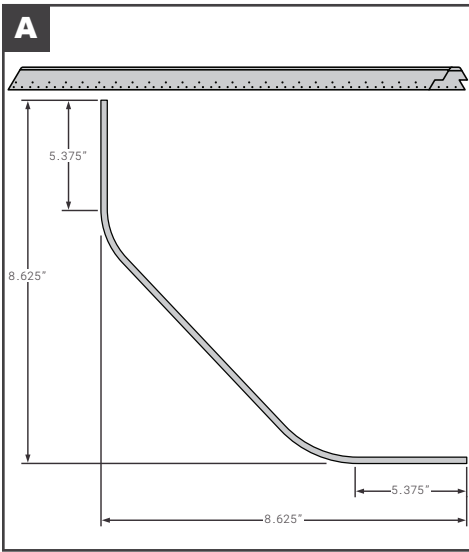


Corner Radius

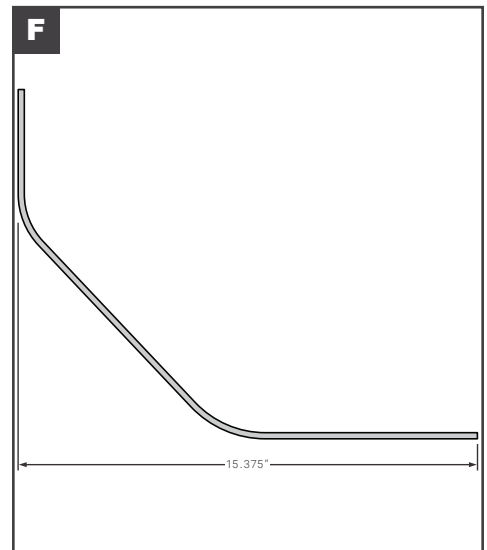
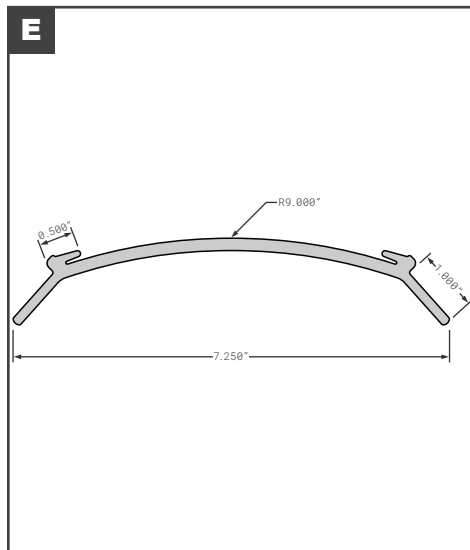
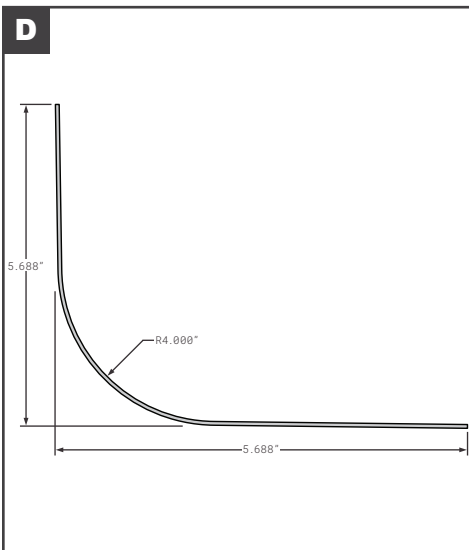


	Part No.	Description	Replaces	Length
A	SPS01-26416-10615	STOUGHTON ROADSIDE CORNER RADIUS 17" BLUE	OEM	103.5"
B	SPS01-26416-20600	STOUGHTON CURBSIDE CORNER RADIUS 17" PPW	OEM	103.5"
C	SPS01-26416-20615	STOUGHTON CURBSIDE CORNER RADIUS 17" BLUE	OEM	103.5"
D	SPS01-27249-10600	STOUGHTON ROADSIDE CORNER RADIUS 15.25"	OEM	104.88"
E	SPS01-27249-20600	STOUGHTON CURBSIDE CORNER RADIUS 15.25"	OEM	104.88"
F	SPS01-28889-10600	STOUGHTON CORNER RADIUS ROADSIDE PUNCHED	OEM	--
F	SPS01-28889-20600	STOUGHTON CORNER RADIUS CURBSIDE PUNCHED	OEM	--

Corner Radius



Corner Radius

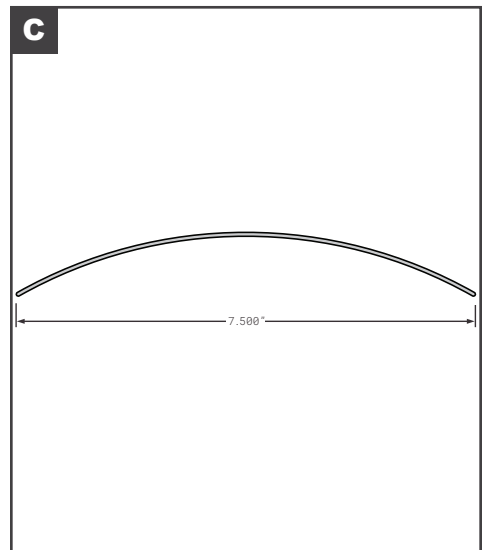
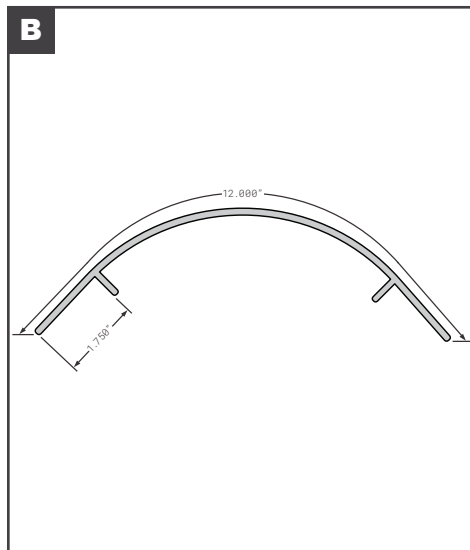
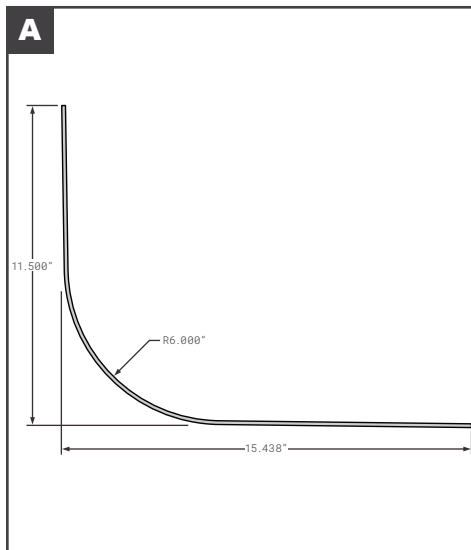


	Part No.	Description	Replaces	Length
A	SPS20-000073	STOUGHTON ROADSIDE	OEM	--
A	SPS20-000074	STOUGHTON CURBSIDE	OEM	--
B	STR47158	STRICK RADIUS PANEL 7" PPW	OEM	106.5"
C	STR55567	STRICK RADIUS PANEL PPW 4" RADIUS SK55729 SK55957	OEM	105.5"
D	STR58964	STRICK RADIUS PANEL EXTRUDED ALUMINUM MILL FINISH 4" RADIUS	OEM	106.5"
E	RP-130-MFA	TRAILMOBILE ULTRA PLATE EXTRUDED ALUMINUM MILL FINISH	OEM	117.5"
F	RP-881-PPW	TRAILMOBILE O-MODEL BEVELED RADIUS ALUMINUM PPW	OEM	110"

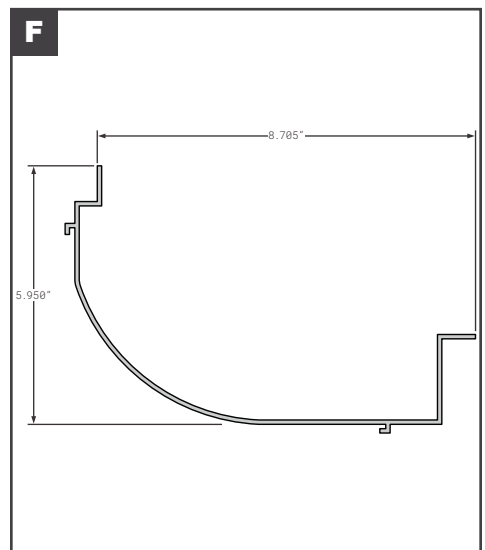
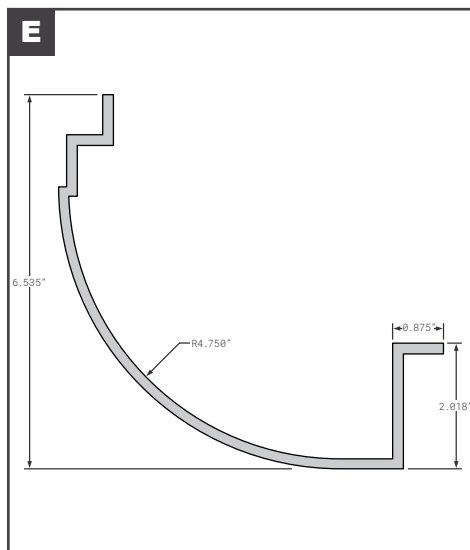
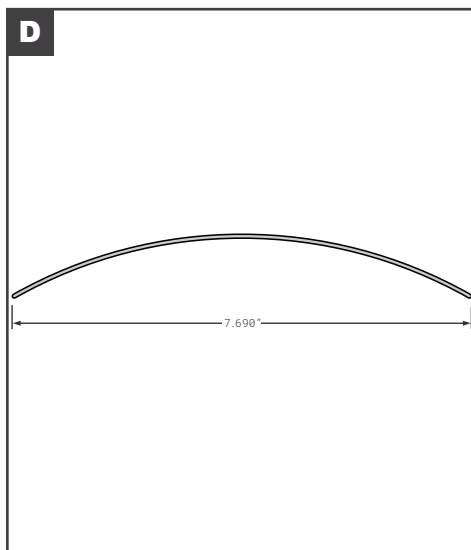


ROAD EQUIPMENT PARTS CENTER

Corner Radius



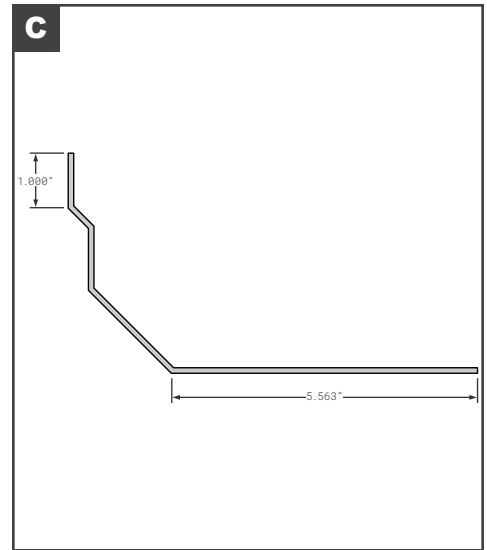
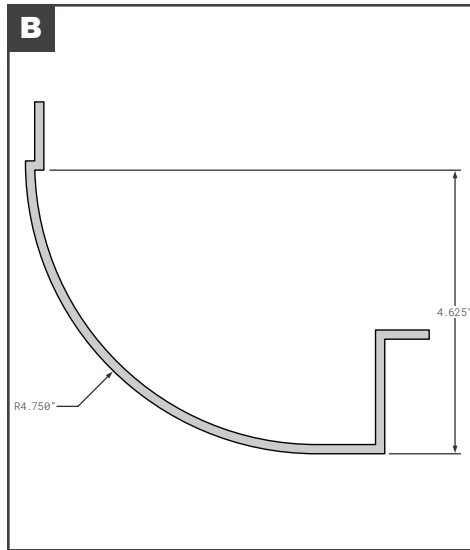
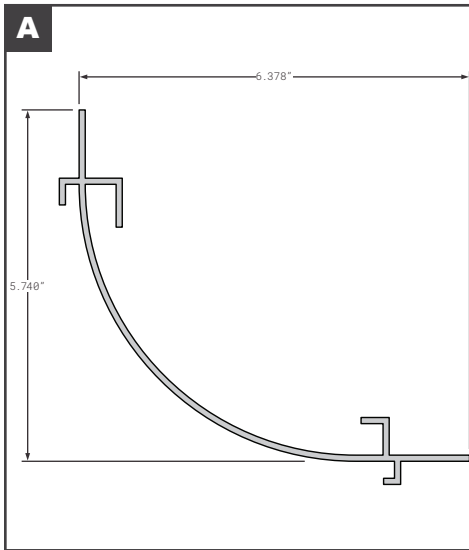
Corner Radius



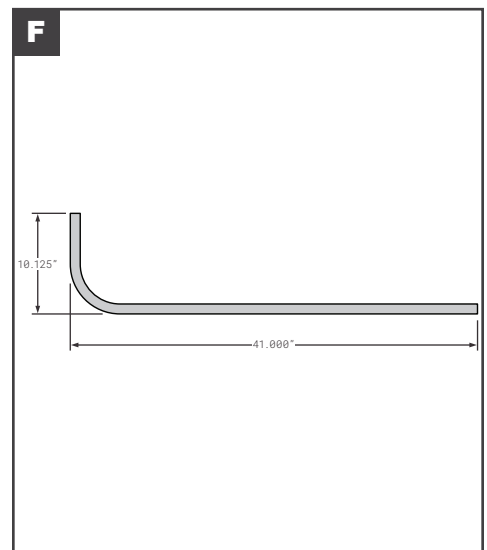
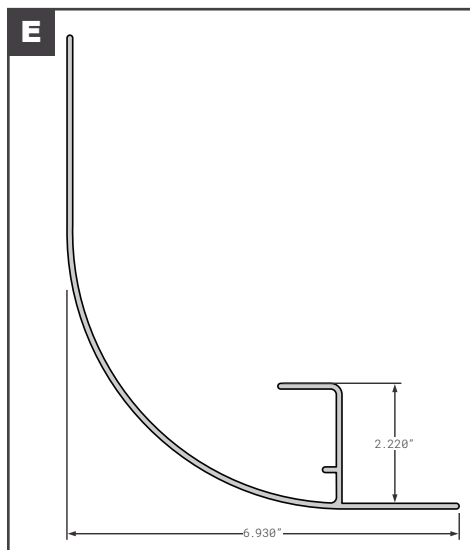
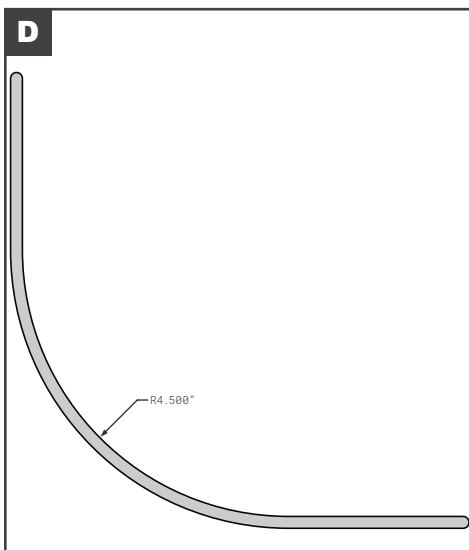
	Part No.	Description	Replaces	Length
A	RP-958K-PPW	TRAILMOBILE 6" RADIUS PPW	OEM	117.5"
B	FCB025-826	UTILIMASTER STYLE - EXTRUDED ALUMINUM MILL FINISH	06013020-10800	112"
C	FCB025-802-001	UTILITY STYLE INSERT FOR DRY FREIGHT RADIUS STAINLESS STEEL	03-2500-099	120"
D	FCB025-802-002	UTILITY STYLE INSERT FOR REEFER RADIUS STAINLESS STEEL	03-2500-098	120"
D	FCB025-802-003	UTILITY STYLE INSERT FOR REEFER RADIUS ALUMINUM PPW	03-2500-116	120"
E	FCB025-805	UTILITY STYLE EXTRUDED ALUMINUM PPW	01-6500-0-0139, 01-6500-0-160	120"
F	FCB025-805-001	UTILITY STYLE 4000-D DRY FREIGHT WITH TABS EXTRUDED ALUMINUM MILL FINISH	01-6500-0-159	120"

Posts & Radius Panels

Corner Radius

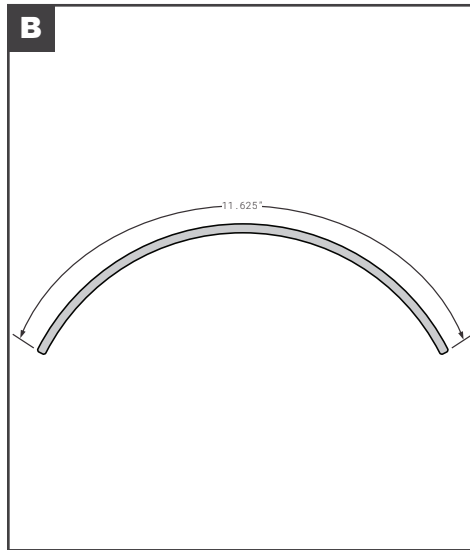
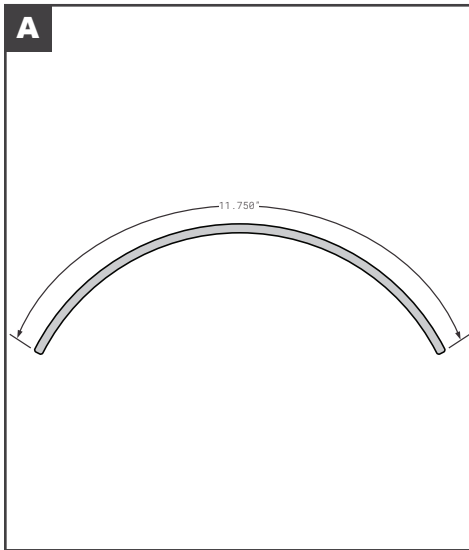


Corner Radius

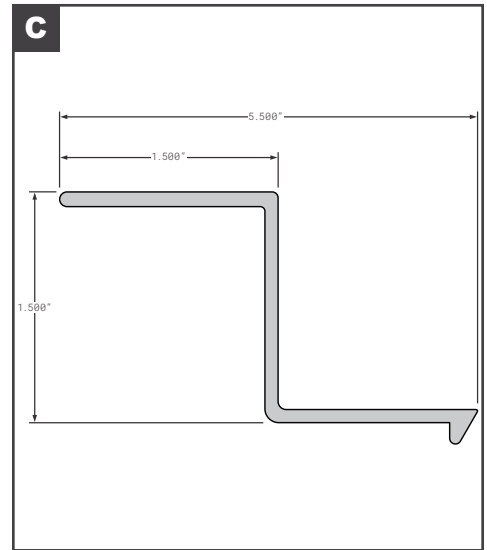


	Part No.	Description	Replaces	Length
A	FCB025-806-001	UTILITY STYLE 3000R REEFER WITH TABS EXTRUDED ALUMINUM MILL FINISH	01-6500-0-156	120"
B	FCB025-807	UTILITY NEW STYLE 4000D-X, 4000D-X 100 COMPOSITE, 4000D-X TBR DRY FREIGHT EXTRUDED ALUMINUM MILL FINISH	01-6500-0-164	120"
C	FCB025-807-002	UTILITY NEW STYLE DRY FREIGHT ALUMINUM PPW	03-2170-0-355, 03-2170-0-351	110"
D	FCB025-860	VANGUARD COMPOSITE EXTRUDED ALUMINUM MILL FINISH	EXT00012-110	110"
E	FCB025-880	WABASH STYLE DURAPLATE EXTRUDED ALUMINUM MILL FINISH	E8350120, E9261200	120"
F	FCB025-882	WABASH STYLE FREIGHT PRO 5" ALUMINUM PPW	PNL8-19	110"

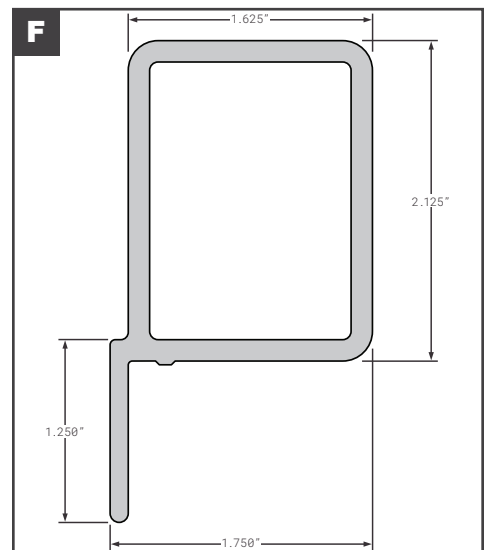
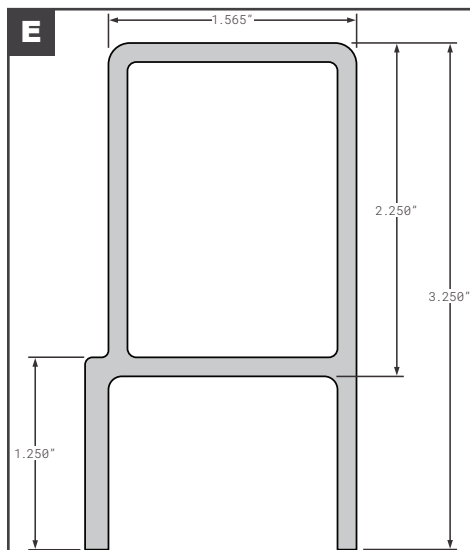
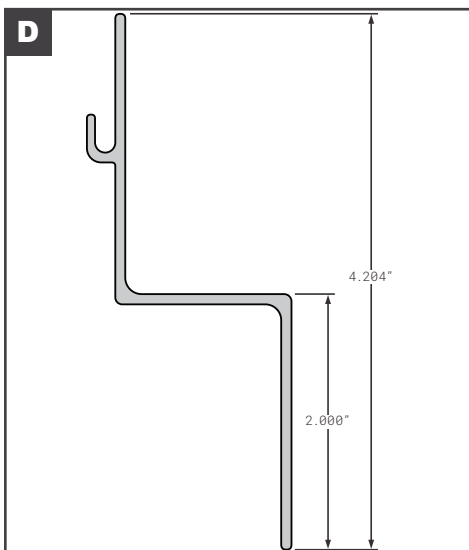
Corner Radius



Connector Posts

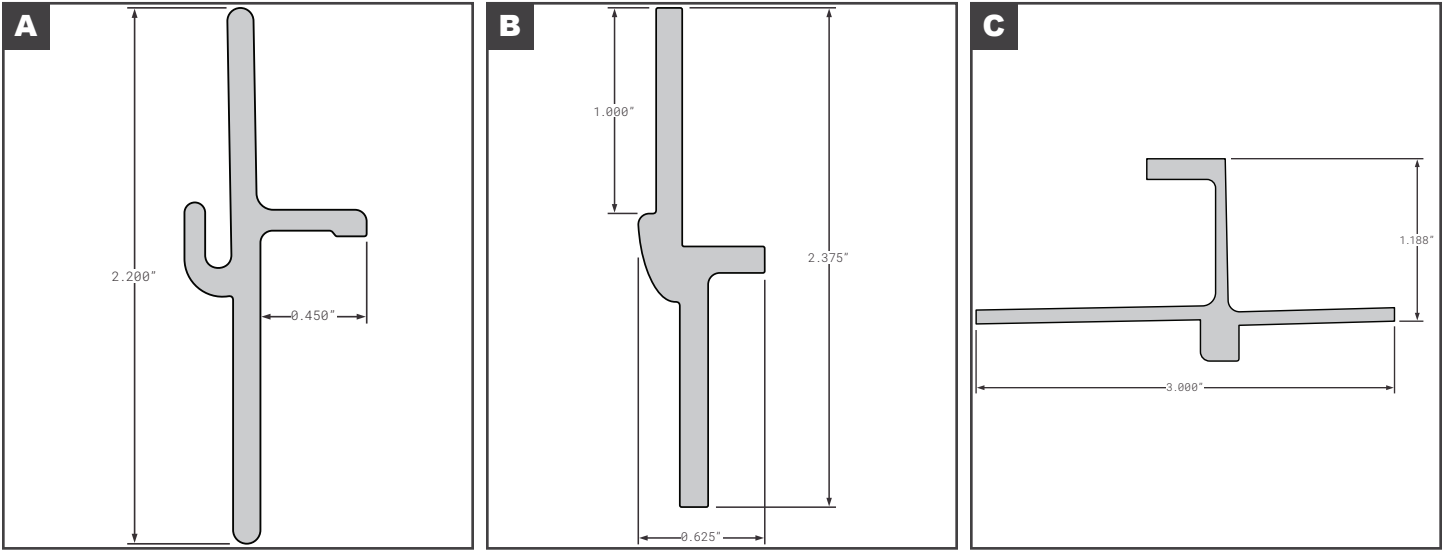


Connector Posts



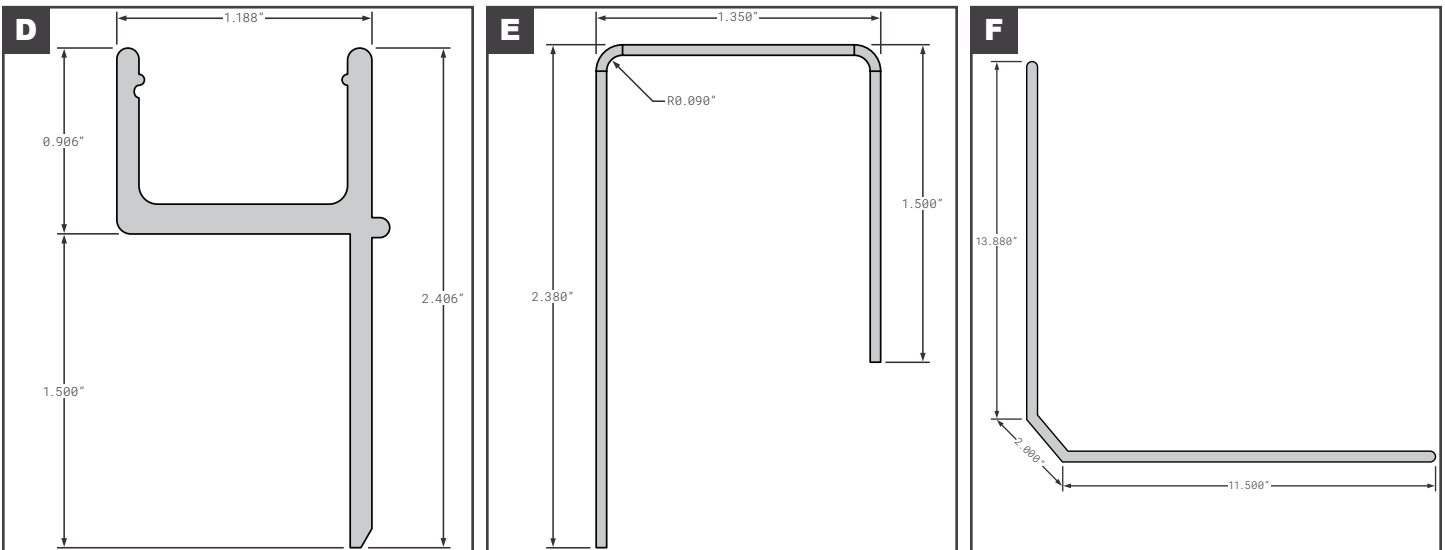
	Part No.	Description	Replaces	Length
A	SUP0027928044	WABASH (FORMERLY SUPREME) EXTRUDED ALUMINUM MILL FINISH	OEM	96"
A	SUP0027928045	WABASH (FORMERLY SUPREME) EXTRUDED ALUMINUM MILL FINISH	OEM	102"
B	SUP015247001	WABASH TRUCK BODY (FORMERLY SUPREME) STAINLESS STEEL	OEM	100.375"
C	FCB035-370	KIDRON DRY FREIGHT & REEFER VERTICAL	121066	107"
D	FCB035-750	MORGAN STYLE GVSD & GVSR VERTICAL	00165	112.31"
D	MOR00165	MORGAN GVSD & GVSR VERTICAL	OEM	112.31"
E	FCB035-753	MORGAN STYLE GVSD & GVSR HORIZONTAL	1620005	87"
E	MOR1620005	MORGAN GVSD & GVSR HORIZONTAL	OEM	87"
F	FCB035-758	MORGAN STYLE GVFD & GVMD HORIZONTAL	1623007	87"
F	MOR1623007	MORGAN GVFD & GVMD HORIZONTAL	OEM	87"

Connector Posts



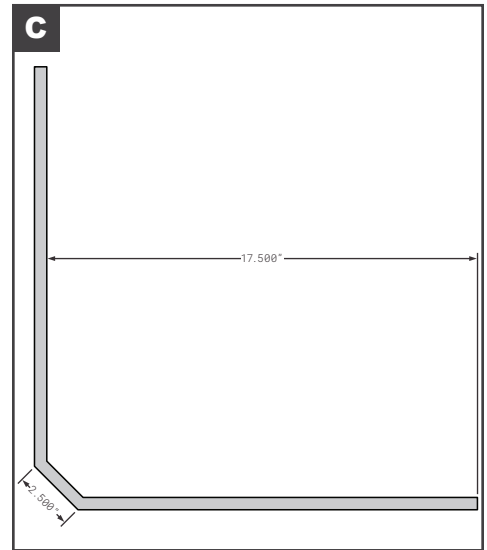
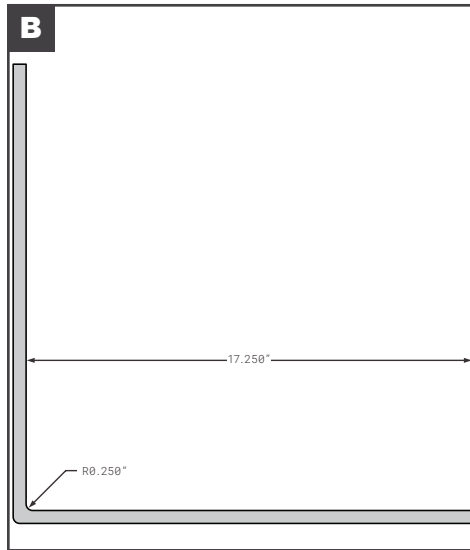
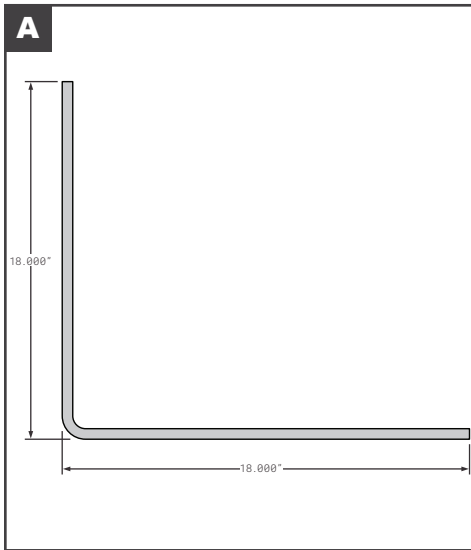
Connector Posts

Inner Radius



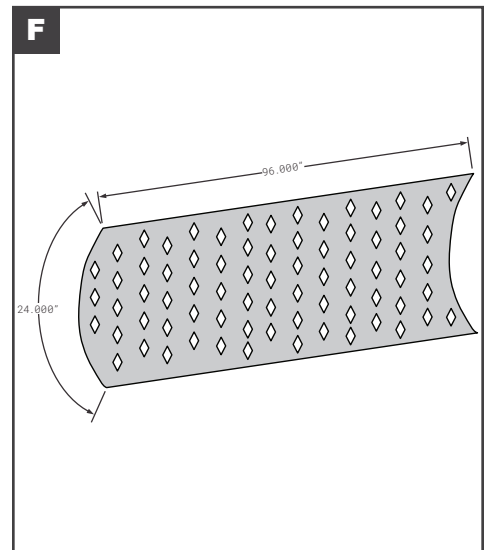
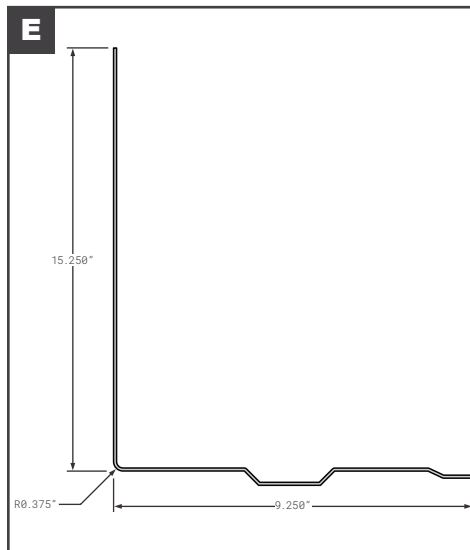
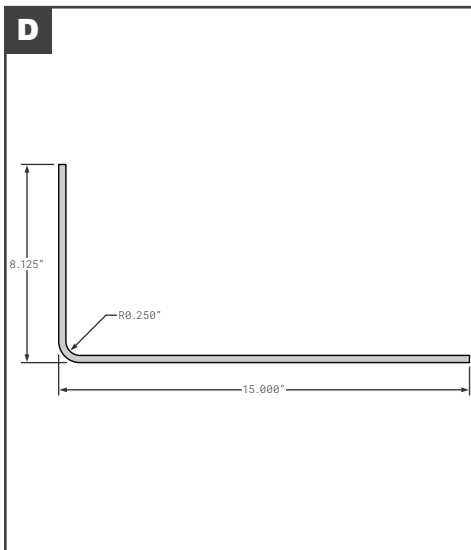
	Part No.	Description	Replaces	Length
A	MOR001483	MORGAN GVFD & GVMD VERTICAL	OEM	112.31"
B	FCB035-520	MULTIVANS VERTICAL & HORIZONTAL	EE0356, DB1044	111.25"
C	90-4-2349-0-121	TRAILMOBILE CONNECTOR	OEM	120"
D	SUP002011173007	WABASH (FORMERLY SUPREME) HORIZONTAL	OEM	87.25"
D	SUP04A02763-04	WABASH (FORMERLY SUPREME) HORIZONTAL WITH HOLES	OEM	87.25"
E	SUP01201149-13	WABASH (FORMERLY SUPREME) VERTICAL	OEM	101.5"
E	SUP01201149-14	WABASH (FORMERLY SUPREME) VERTICAL	OEM	107.5"
F	FCB025-301	UNIVERSAL BEVELELD GALVANIZED GALVANIZED STEEL	GDP49900254, 04S02599	110"

Inner Radius



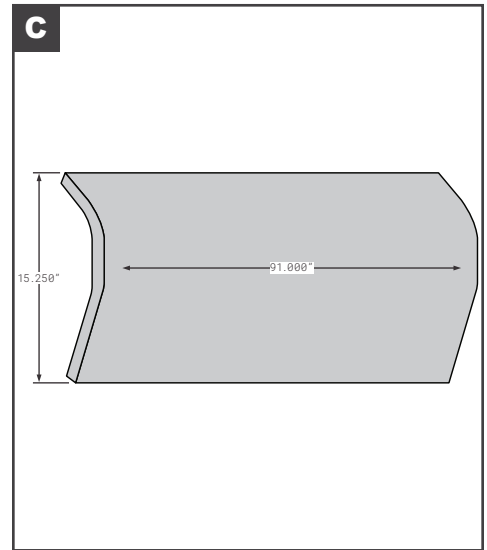
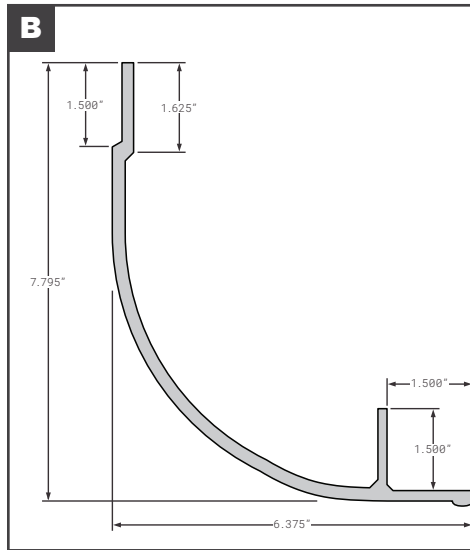
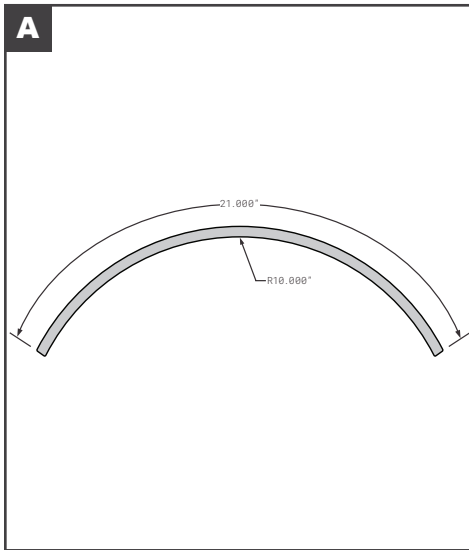
Inner Radius

Roof Radius

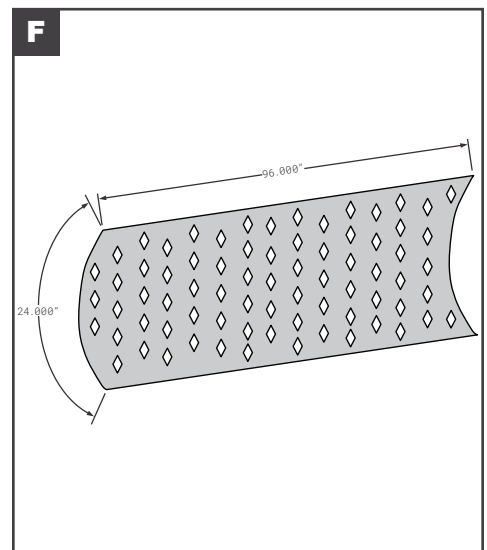
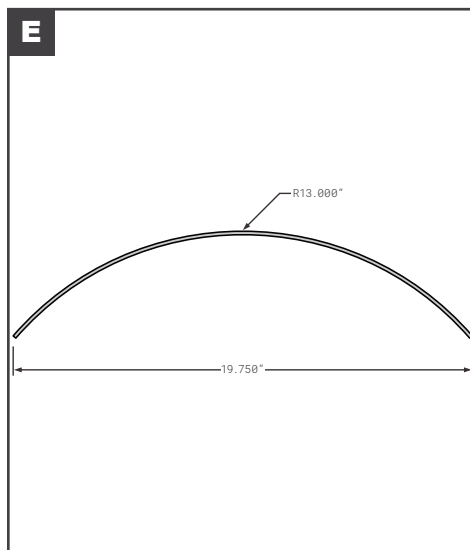
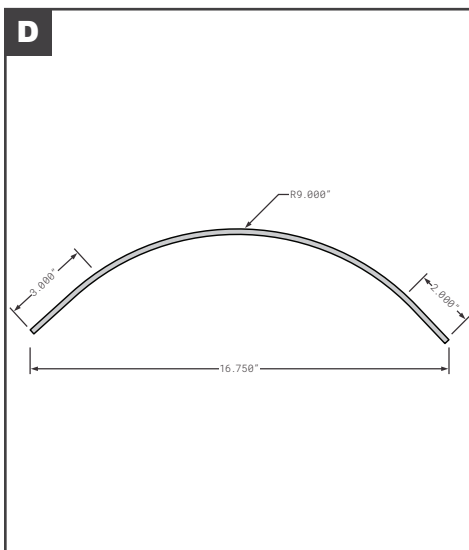


	Part No.	Description	Replaces	Length
A	FCB025-900	UNIVERSAL 18" X 18" "L" GALVANIZED STEEL	EI046392-16CO	110"
B	FCB025-201-002	GREAT DANE BEVELED P VAN PPW	GDP69102533, GDP40700252	110"
C	FCB025-218-001	GREAT DANE P-VAN BEVELED PPW	GDP69102889-004	110"
D	HY6200DA040V04	HYUNDAI INNER RADIUS FRONT LINING SUPPORT 117-10246	OEM	108"
D	HY6200DA040V05	HYUNDAI INNER RADIUS FRONT LINING SUPPORT 117-10246 GALVANIZED	OEM	--
E	HY6200LDA003V06	HYUNDAI INNER RADIUS 117-10342-6 ROADSIDE	OEM	--
E	HY6200RDA003V06	HYUNDAI INNER RADIUS 117-10342-6 CURBSIDE	OEM	--
F	FCB025-901-001	UNIVERSAL FOR 102" WIDE - ALUMINUM MILL FINISH	--	96"

Roof Radius



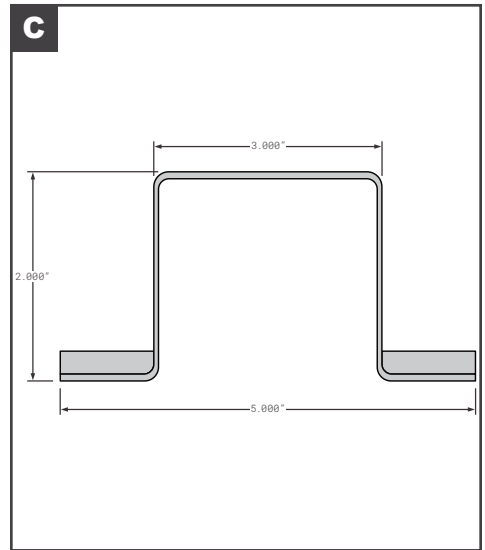
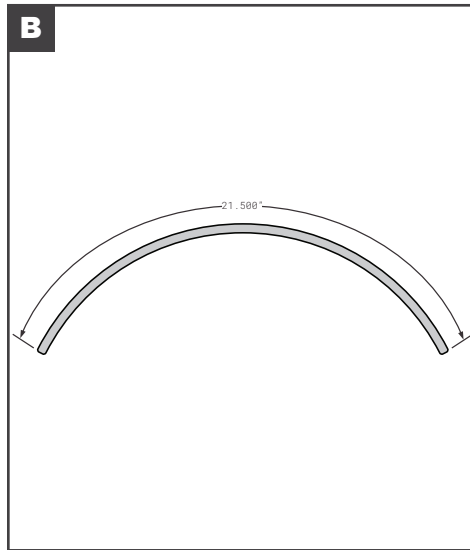
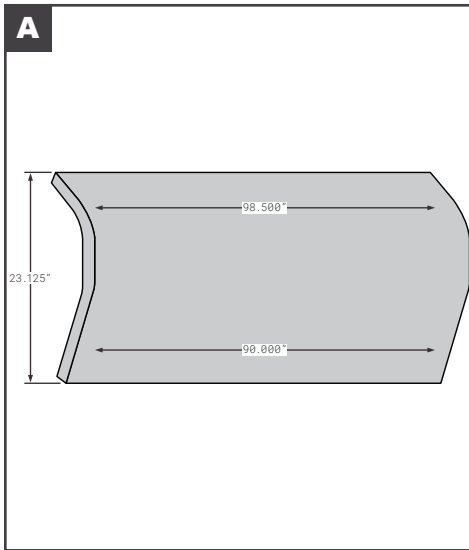
Roof Radius



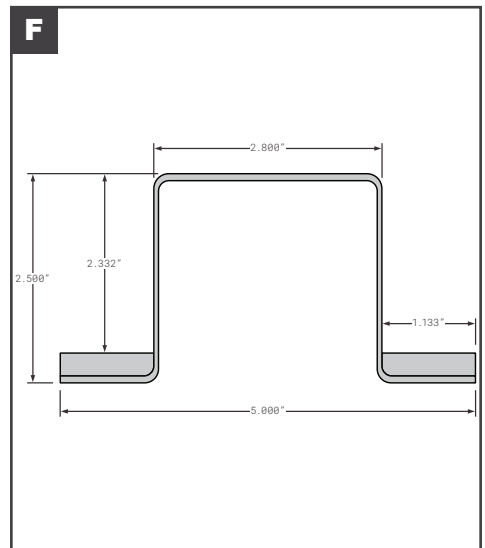
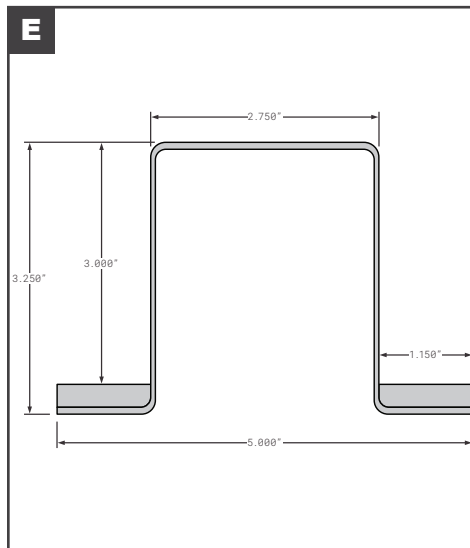
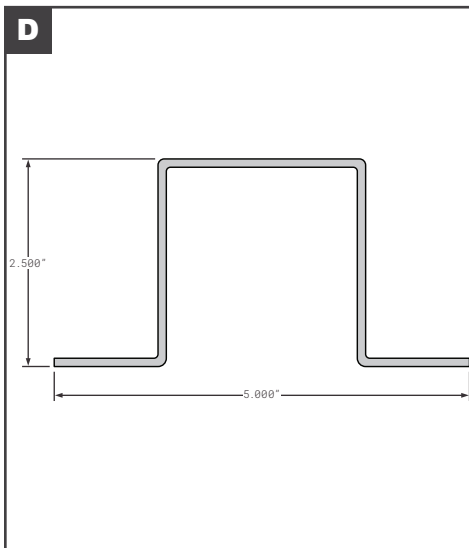
	Part No.	Description	Replaces	Length
A	FCB025-901	A.M. HAIRE STYLE FOR 102" WIDE - ALUMINUM MILL FINISH	00151-01	90.5"
B	FCB025-370	KIDRON REEFER FOR 102" WIDE - EXTRUDED ALUMINUM MILL FINISH	K935148	91.5"
C	FCB025-460	MICKEY STYLE FOR 102" WIDE - ALUMINUM MILL FINISH	5005603	91"
D	FCB025-753	MORGAN STYLE FOR 96" WIDE - ALUMINUM MILL FINISH	13500	80.88"
D	FCB025-753-001	MORGAN STYLE FOR 102" WIDE - ALUMINUM MILL FINISH	13502	86.88"
D	FCB025-755-001	MORGAN STYLE FOR 102" WIDE - STAINLESS STEEL	1358401	86.88"
D	MOR13500	MORGAN FOR 96" WIDE - ALUMINUM MILL FINISH	OEM	80.88"
D	MOR13502	MORGAN FOR 102" WIDE - ALUMINUM MILL FINISH	OEM	86.88"
D	MOR1358401	MORGAN FOR 102" WIDE - STAINLESS STEEL	OEM	86.88"
E	FCB025-520	MULTIVANS STYLE FOR 102" WIDE - ALUMINUM MILL FINISH	DB100802	91.75"
F	FCB025-531	READING (TRG) STYLE FOR 102" WIDE - DIAMOND PLATE	13440001	96"

Roof Radius

Front Posts

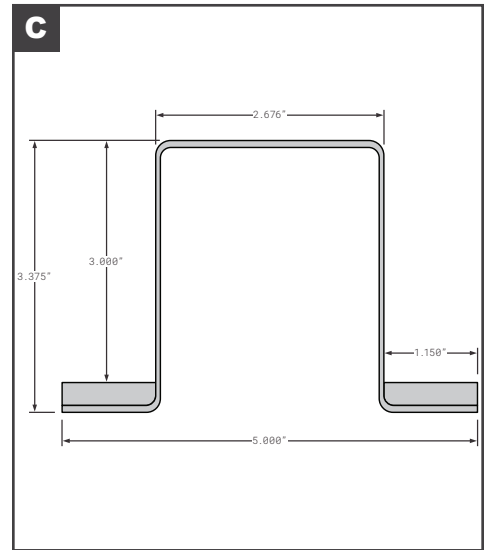
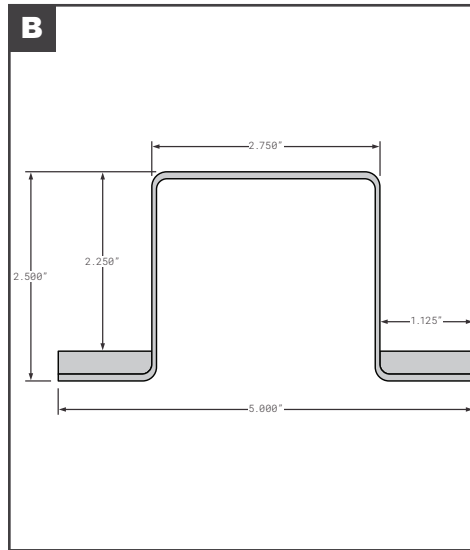
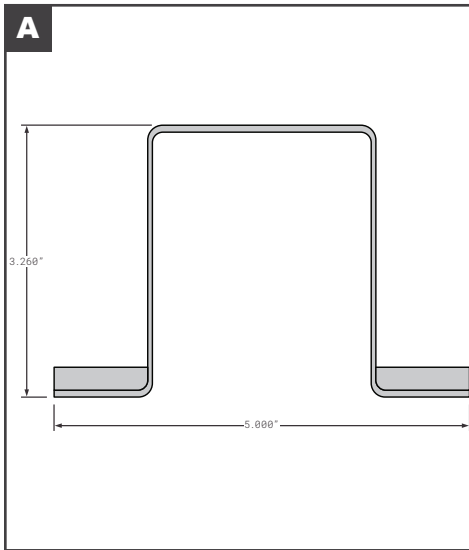


Front Posts

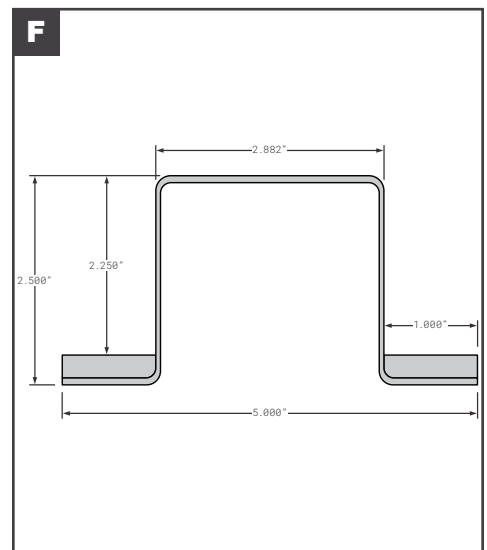
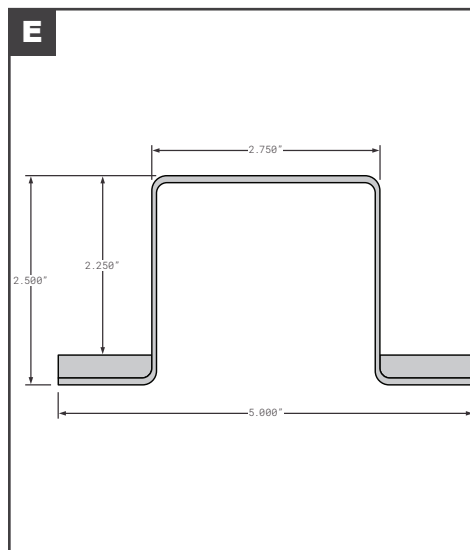
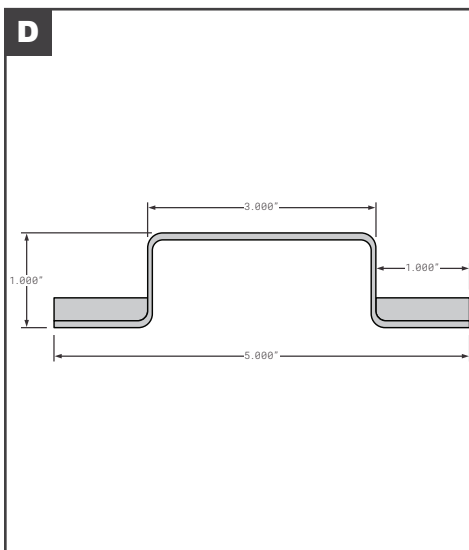


	Part No.	Description	Replaces	Length
A	FCB025-825-001	UTILIMASTER STYLE FOR 102" WIDE - ALUMINUM MILL FINISH	06701232	98.5" MITRED
B	SUP04A02754-01	WABASH (FORMERLY SUPREME) FOR 102" WIDE - ALUMINUM MILL FINISH	OEM	86.25"
B	SUP04A02754-02	WABASH (FORMERLY SUPREME) FOR 96" WIDE - ALUMINUM MILL FINISH	OEM	80.25"
C	FCB035-905	UNIVERSAL GALVANIZED STEEL WITH JOGGLE 2"	04S00020, 03-6512-0-042	--
D	FCB035-202	GREAT DANE STYLE GALVANIZED STEEL WITH JOGGLE 2.5"	GDP40915001, 09432	--
E	HY10053383	HYUNDAI FRONT POST GALVANIZED WITH JOGGLES 117-02336	OEM	106.6"
F	HY10053901	HYUNDAI FRONT POST WITH JOGGLES 117-02339	OEM	106.6"

Front Posts



Front Posts



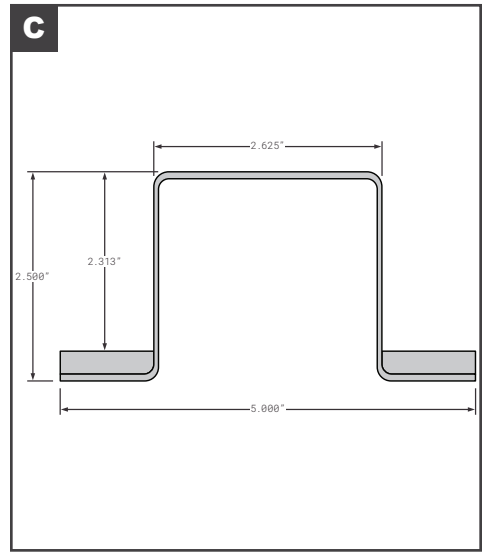
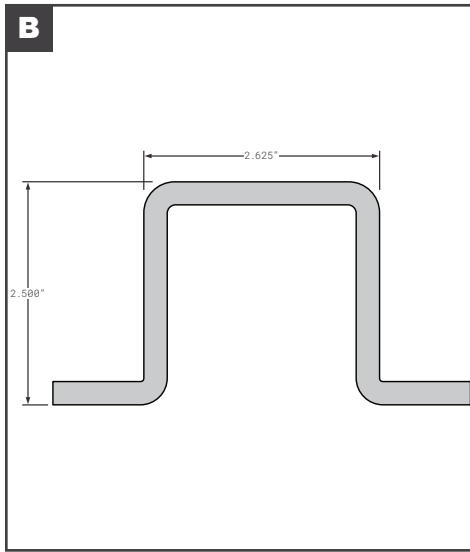
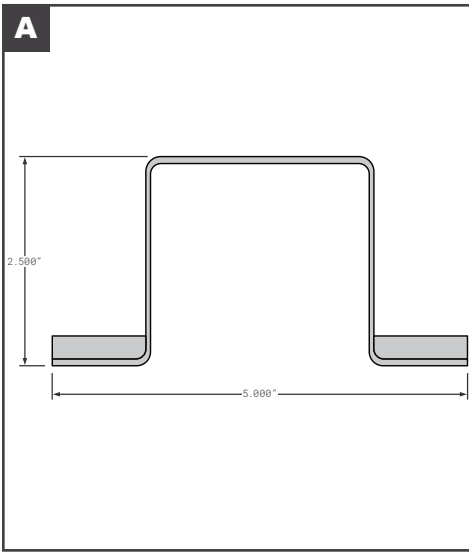
	Part No.	Description	Replaces	Length
A	HY10054764	HYUNDAI FRONT POST 117-02335-3 3.2" RADIUS	OEM	106.57"
B	HY10056705	HYUNDAI FRONT POST 117-02340 GALVANIZED	OEM	108.1"
C	HY10061587	HYUNDAI FRONT POST 117-02335 GALVANIZED	OEM	112.6"
D	HY20011744	HYUNDAI FRONT POST 117-02010	OEM	103.346"
E	HY20051352	HYUNDAI FRONT POST 117-02111	OEM	115.938"
F	HY20064923	HYUNDAI FRONT POST 117-02002	OEM	106.614"



ROAD EQUIPMENT PARTS CENTER

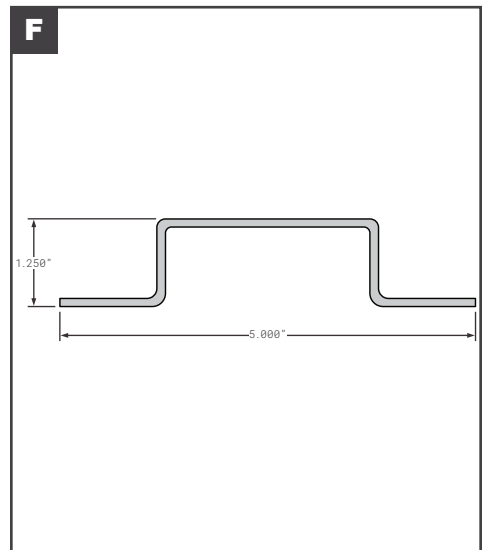
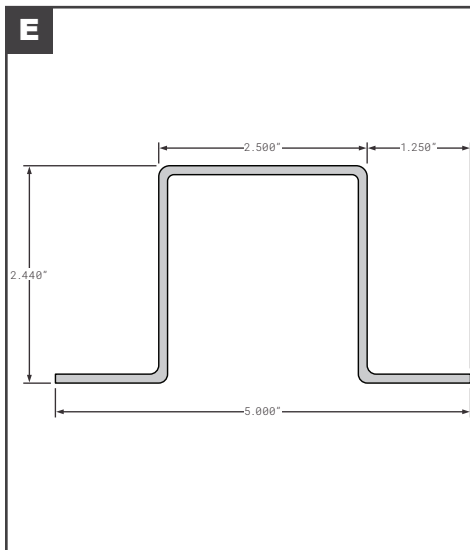
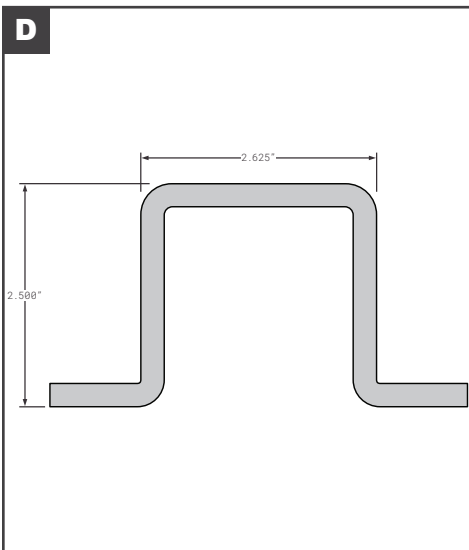
Posts & Radius Panels

Front Posts



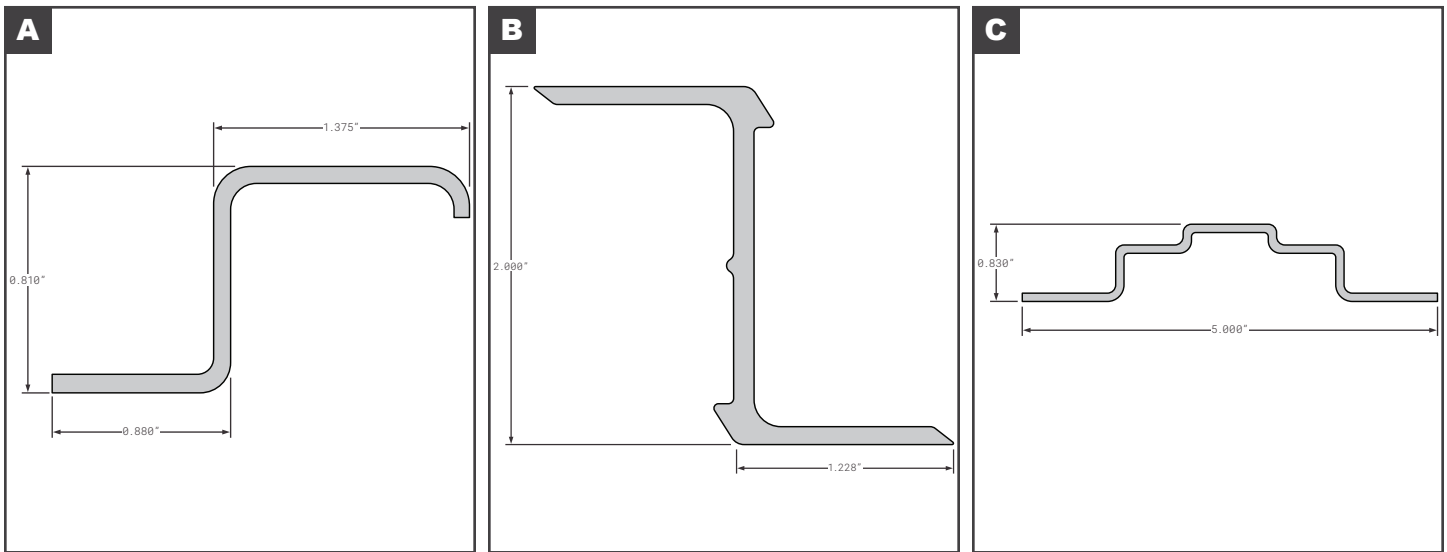
Front Posts

Side Posts

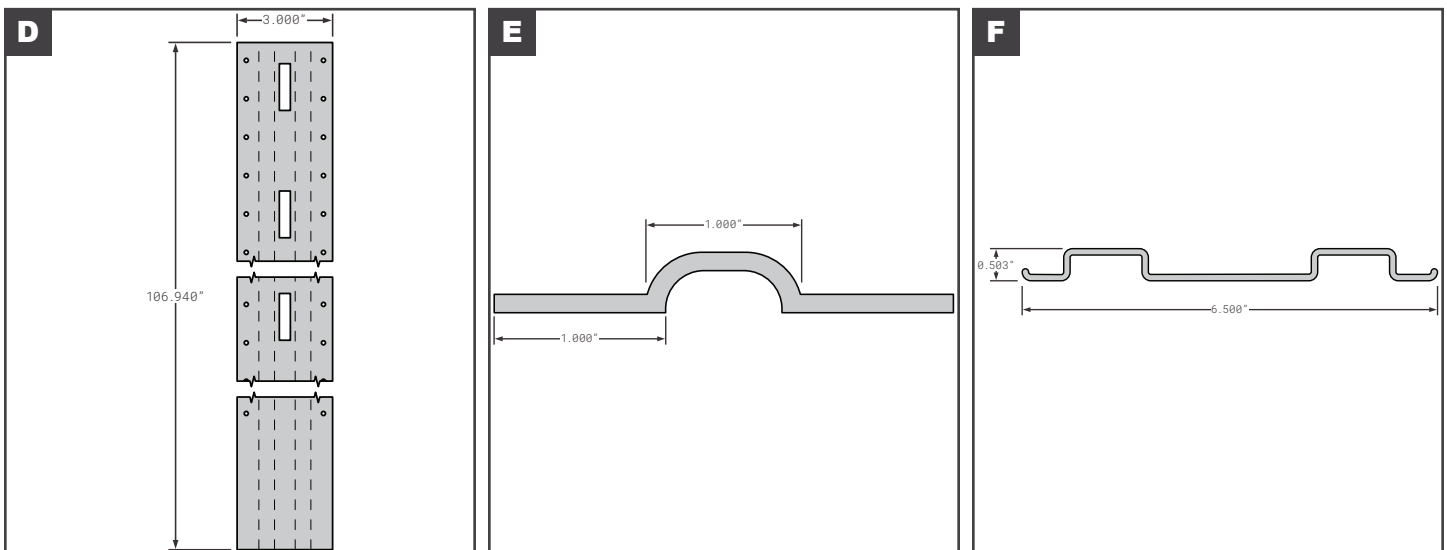


	Part No.	Description	Replaces	Length
A	HY20076832	HYUNDAI FRONT POST WITH JOGGLES 117-02021	OEM	107.062"
B	SPS01-19981-00600	STOUGHTON PUNCHED NOSE POST	OEM	107.38"
C	SPS01-19981-03300	STOUGHTON PUNCHED NOSE POST	OEM	109"
D	SPS03-12991-11000	STOUGHTON GALVANIZED STEEL 2.5"	OEM	110"
E	90-4-2400P-0-116	TRAILMOBILE GALVANIZED STEEL 2.44"	OEM	116"
F	1011037	UNIVERSAL GALVANIZED STEEL HAT 1-1/4 X 5" WIDE PUNCHED	1200069, 1211306110, 1211325109, 43332007, 10011849, SP016712, V02-102F, 90-4-983-0-123	120"

Side Posts

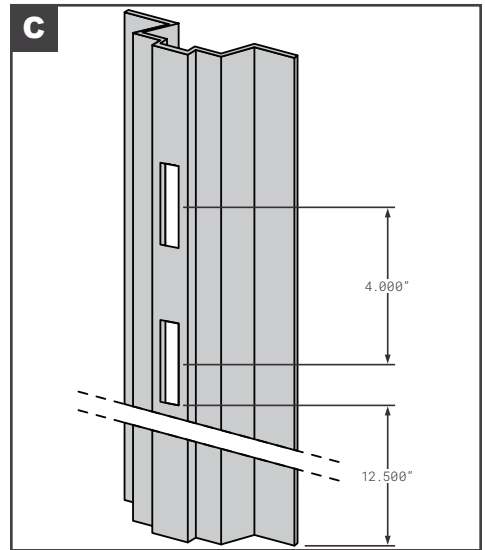
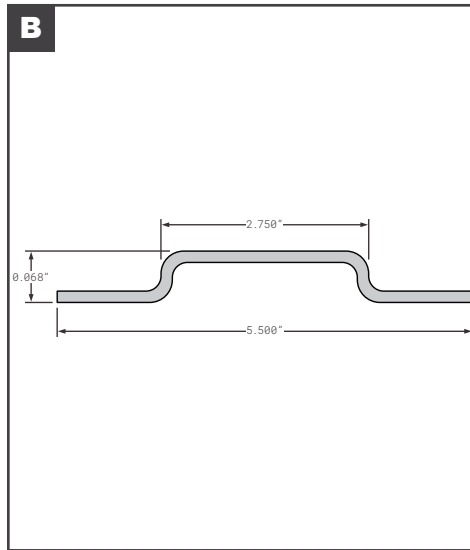
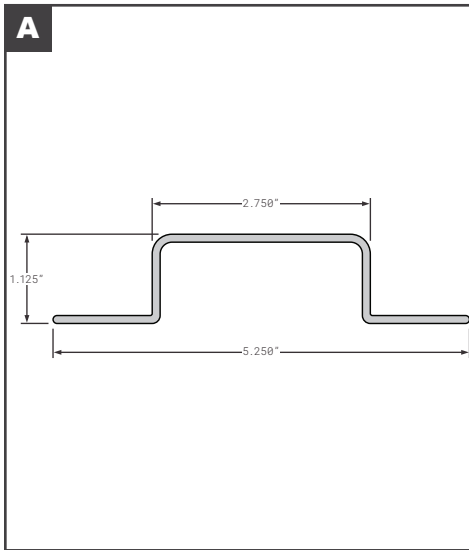


Side Posts

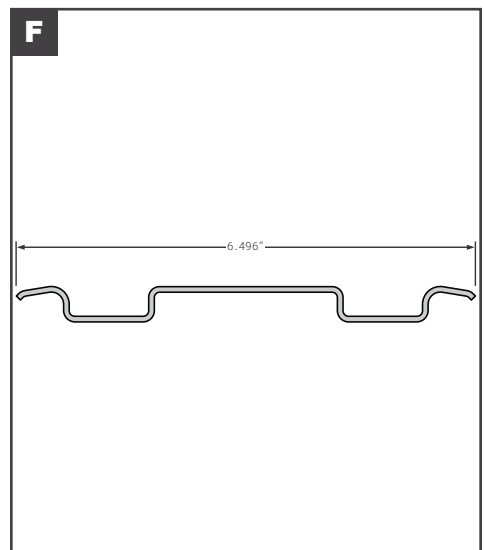
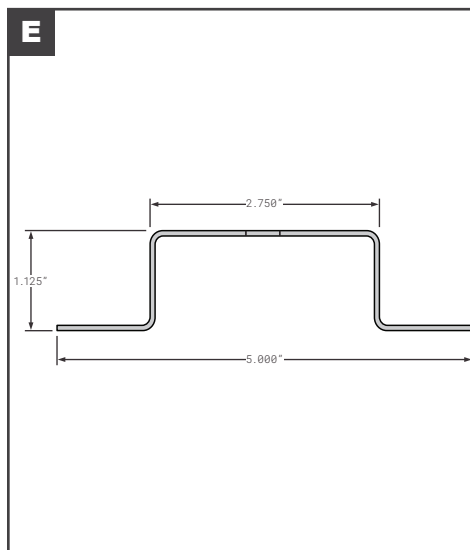
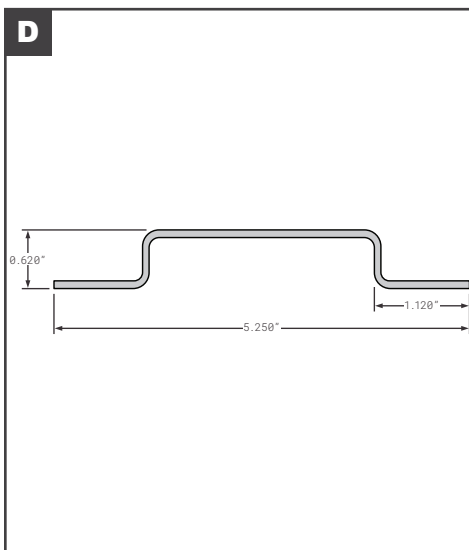


	Part No.	Description	Replaces	Length
A	FCB035-825	UNIVERSAL Z .81" - GALVANIZED STEEL	019103063, 015992, 01201150-06	107"
B	FCB035-200	GREAT DANE STYLE SIDE POST ALUMINUM ALUMINUM Z 70092 2"	70092	--
C	FCB035-205	GREAT DANE STYLE SIDE POST GALVANIZED STEEL 40915011 .83" LOGISTIC 4" ON CENTER	40915011	110"
D	FCB035-220	GREAT DANE STYLE SIDE POST INNER 40915179 COMPOSITE PLATE LOGISTIC	40915179	107"
E	FCB035-220-001	GREAT DANE STYLE SIDE POST OUTER 40915178 COMPOSITE PLATE PPW	40915178	--
F	FCB035-301	GREAT DANE STYLE SIDE POST GALVANIZED STEEL UNIVERSAL .5 X 6.5" 40912301X110 STO 04-20671-006	40912301X110, 04-20671-006	110"

Side Posts

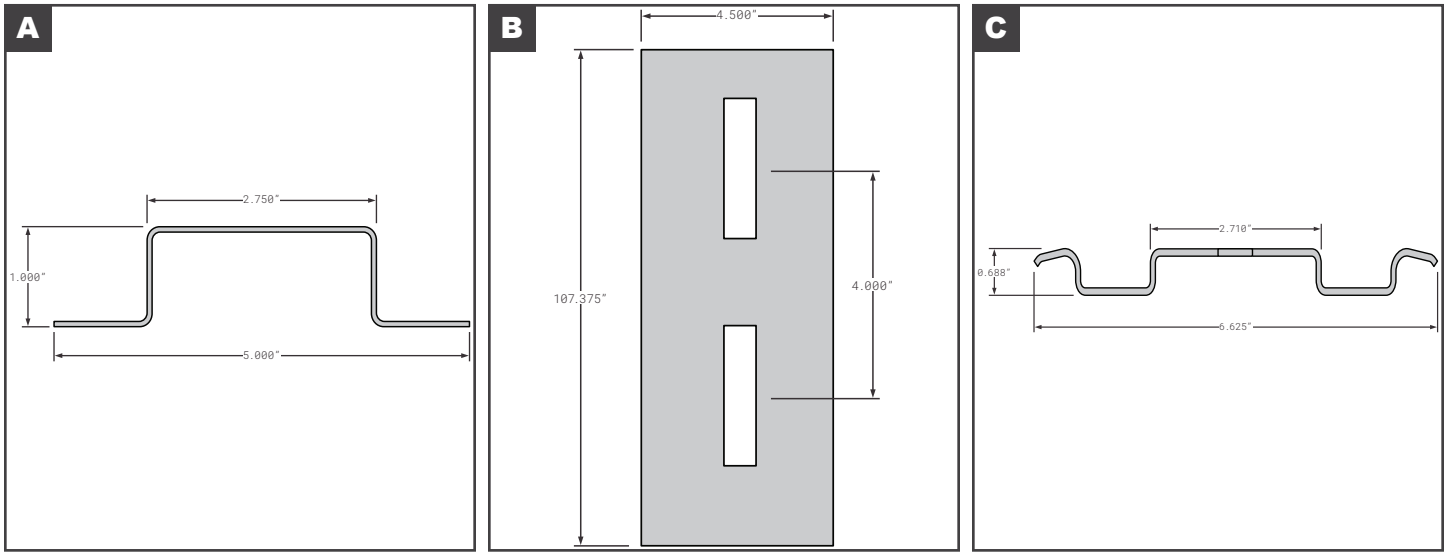


Side Posts

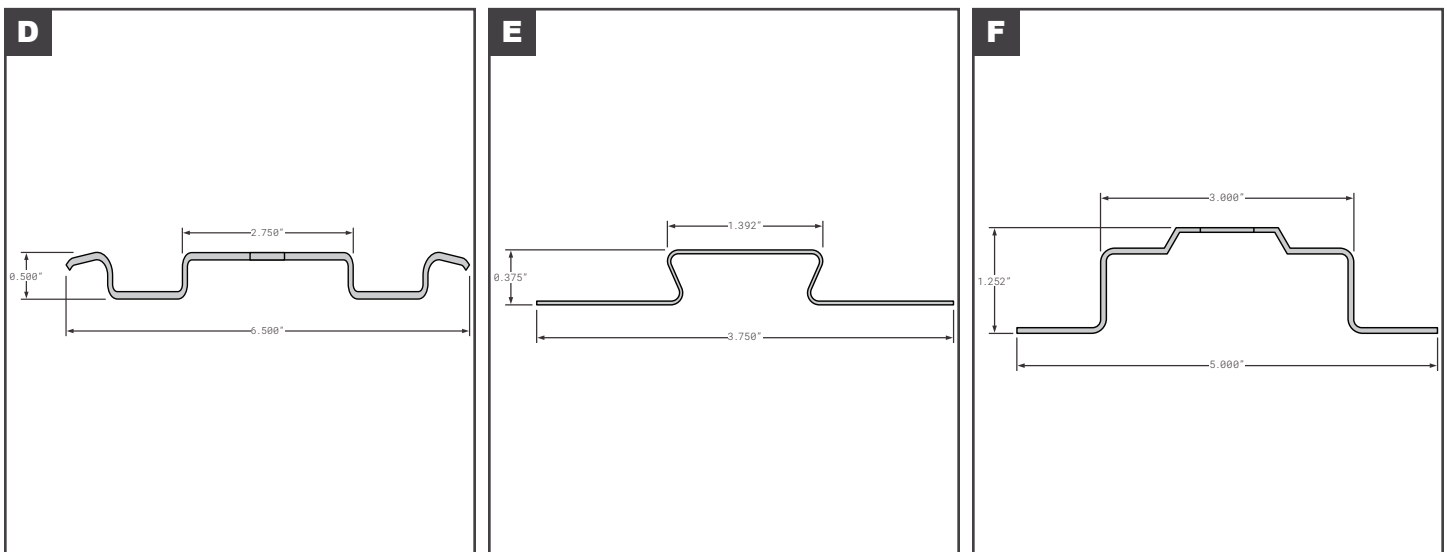


	Part No.	Description	Replaces	Length
A	FCB035-559	GREAT DANE STYLE SIDE POST GALVANIZED STEEL UNIVERSAL 1.12 X 5.25 X 110	40900411	110"
B	FCB035-903	GREAT DANE STYLE SIDE POST GALVANIZED STEEL UNIVERSAL .69 X 5.5" 40904601X110 NON-LOGISTIC	40904601X110	110"
C	FCB035-904	GREAT DANE STYLE SIDE POST GALVANIZED STEEL UNIVERSAL LOG 1.25 X 5" 40910400 STO 04-20577-006	40910400, 04-20577-006-00	120"
D	HY10007272	HYUNDAI SIDE POST 112-02021C 14GA GALVANIZED GR50	OEM	113"
E	HY10009128	HYUNDAI SIDE POST 112-02019D 16GA GALVANIZED GR50	10014002, 100091320, 10011825, 10021729, 10009129, 10014020, 10031102	131"
F	HY10011202	HYUNDAI SIDE POST 112-02039 14GA GALVANIZED STEEL	OEM	108"

Side Posts



Side Posts



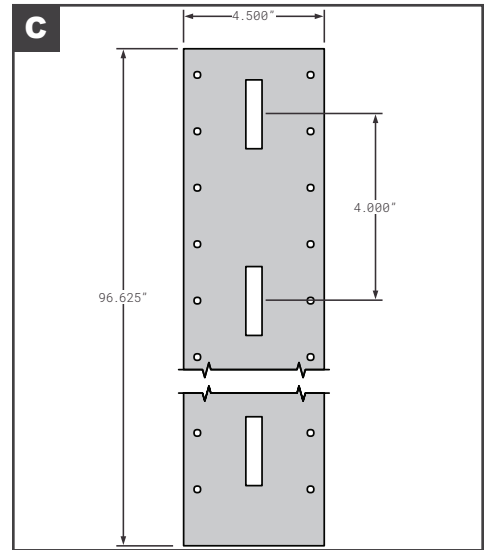
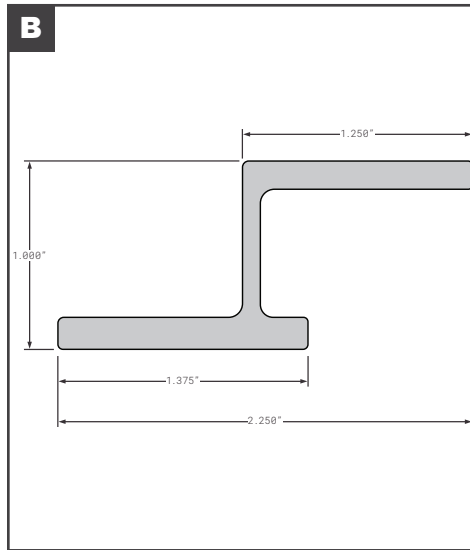
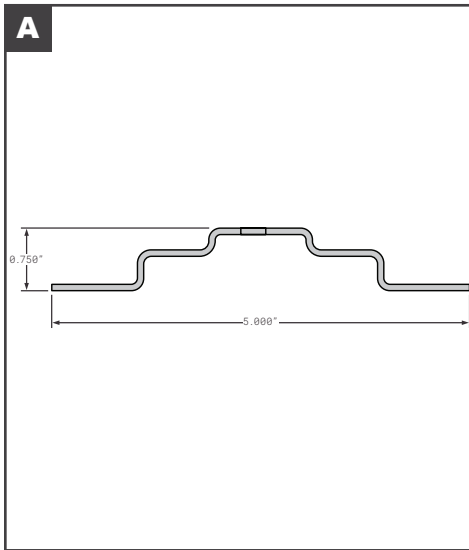
	Part No.	Description	Replaces	Length
A	HY10019375	HYUNDAI SIDE POST 112-02084-35 16GA GALVANIZED	10021633, 10025267, 10021416, 10034723, 10022838, 10011849, 10022849, 10014287, 10012431	117"
B	HY10022262	HYUNDAI POST INNER A-TRACK 112-15290	OEM	107.5"
C	HY10023498	HYUNDAI A SLOT LOGISTIC POST 112-02040 GALVANIZED	OEM	106.5"
D	HY10030203	HYUNDAI SIDE POST 112-02039 GALVANIZED	OEM	123.938"
E	HY10035778	HYUNDAI OUTER POST 112-15443 PPW	OEM	107.625"
E	HY10037274	HYUNDAI OUTER POST CLOSURE SIDE 112-15443-14 PPW	OEM	114.63"
E	HY10042083	HYUNDAI OUTER POST CLOSURE SIDE PP ORANGE	OEM	96.85"
F	HY10036046	HYUNDAI A SLOT SIDE POST 112-02290 GALVANIZED	OEM	108"
F	HY10038647	HYUNDAI A SLOT SIDE POST 112-02296 GALVANIZED	OEM	106.96"



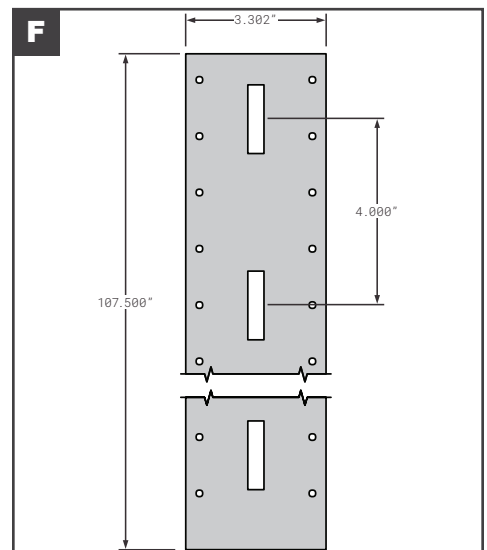
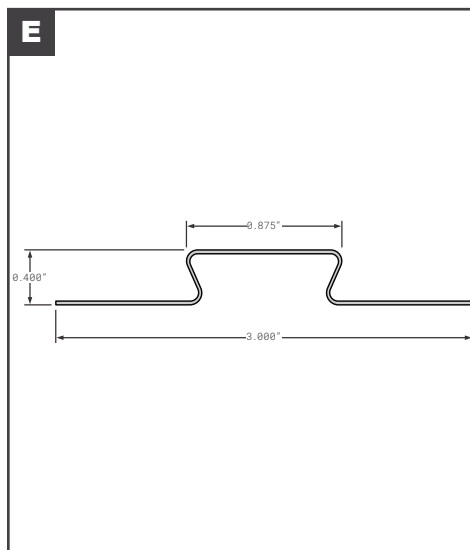
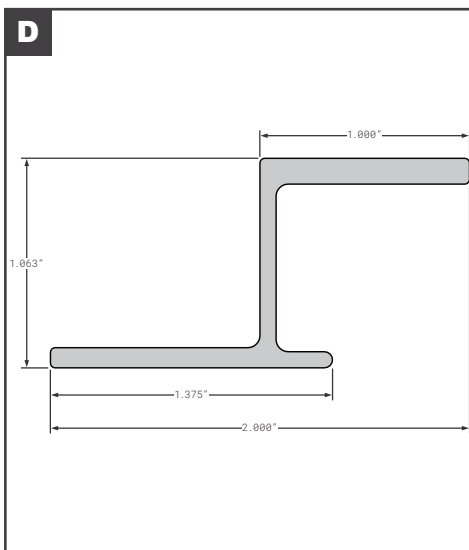
ROAD EQUIPMENT PARTS CENTER

Side Posts

Posts & Radius Panels

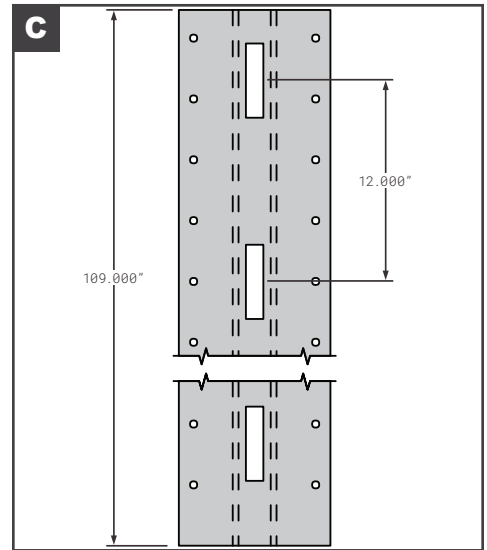
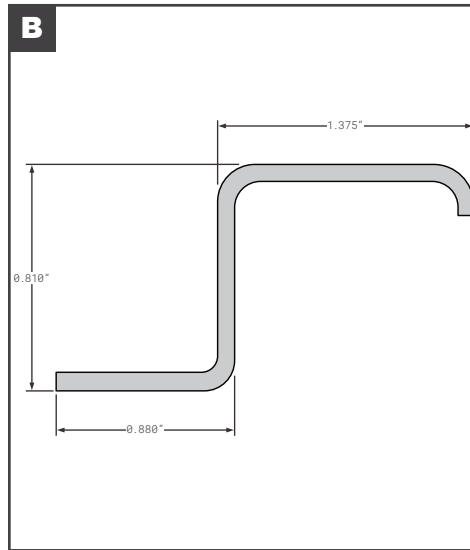
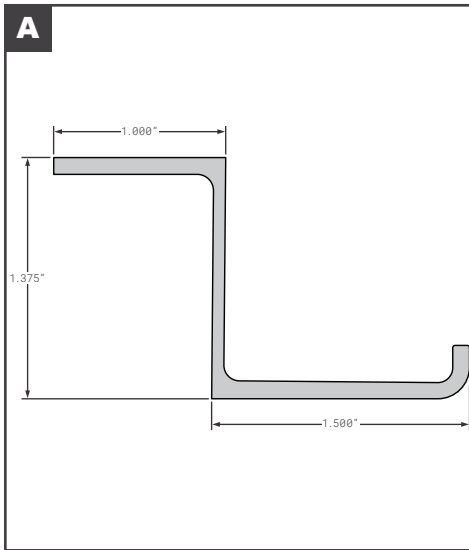


Side Posts

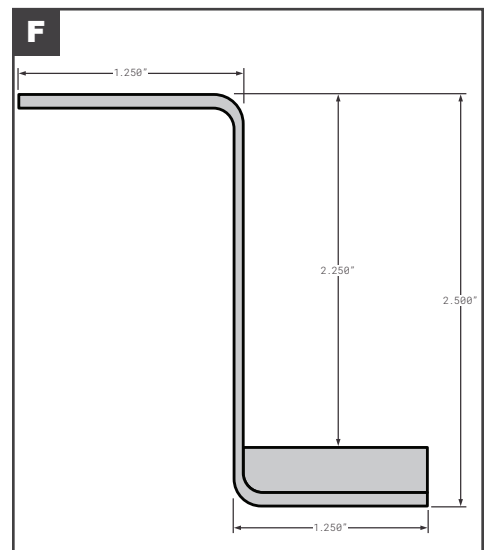
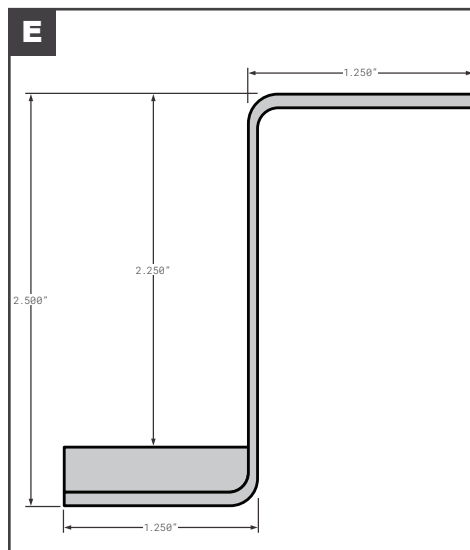
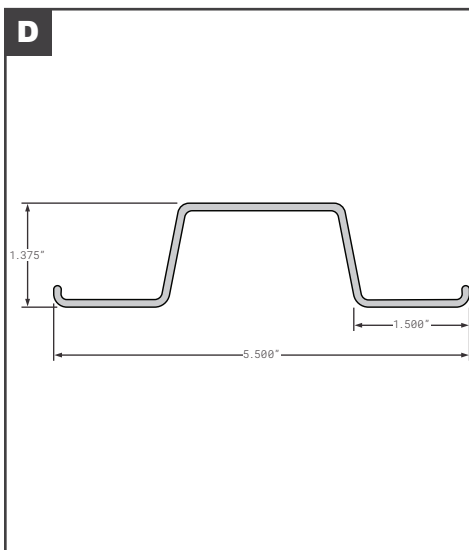


	Part No.	Description	Replaces	Length
A	HY10039523	HYUNDAI A SLOT SIDE POST 112-02298 GALVANIZED	OEM	108"
B	HY10041439	HYUNDAI Z SLOT SIDE POST E05-045	OEM	111.54"
C	HY10046094	HYUNDAI A-TRACK INNER POST	OEM	96.69"
D	HY10067082	HYUNDAI Z POST E-TRACK E05-062	OEM	114.48"
E	HY10072604	HYUNDAI OUTER POST 112-15830 2733MM WHITE LIGHTWEIGHT SIDE CLOSURE	OEM	107.59"
F	HY10072649	HYUNDAI LIGHTWEIGHT PUNCHED INNER POST 112-15831	OEM	107.44"

Side Posts



Side Posts

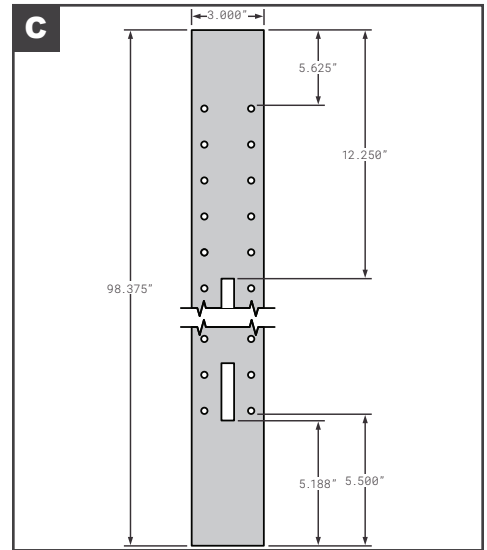
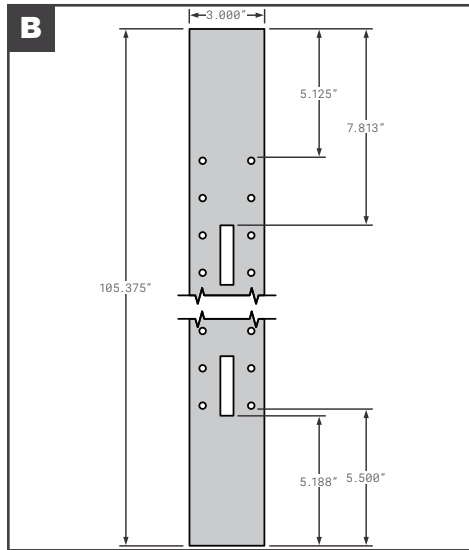
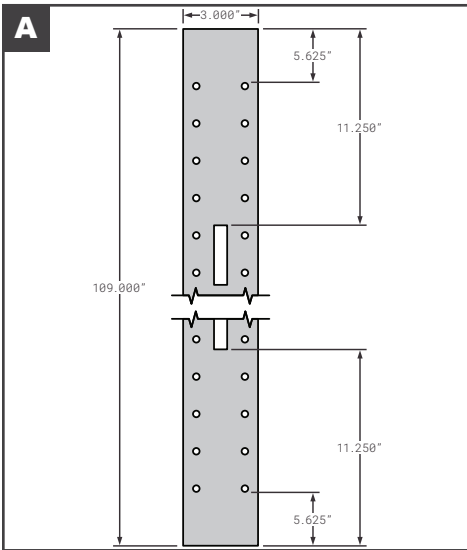


	Part No.	Description	Replaces	Length
A	FCB035-002	MORGAN STYLE Z 1.38" - ALUMINUM	14211	108"
A	FCB035-751	MORGAN STYLE Z 1.38" - GALVANIZED STEEL	A0000119	107"
A	MOR14211	MORGAN Z 1.38" - ALUMINUM	OEM	108"
A	MORA0000119	MORGAN Z 1.38" - GALVANIZED STEEL	OEM	107"
B	MOR01913063	MORGAN Z .81" - GALVANIZED STEEL	01913063	107"
C	01-21122-006-00	STOUGHTON LOGISTIC INNER SIDE POST 12"	OEM	--
D	03-06347-110-00	STOUGHTON SIDE POST GALVANIZED STEEL 1.38"	OEM	110"
E	SPS01-20835-11700	STOUGHTON ROADSIDE Z-POST GALVANIZED 16GA	OEM	109"
F	SPS01-20835-21700	STOUGHTON CURBSIDE Z-POST GALVANIZED 16GA	OEM	109"

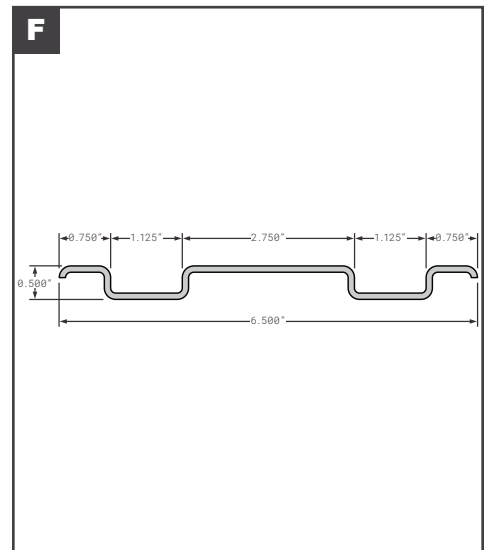
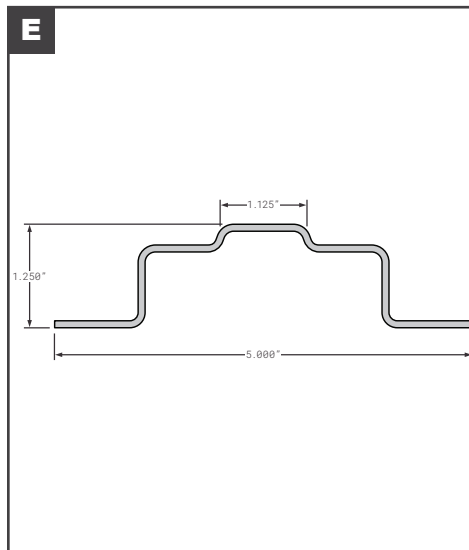
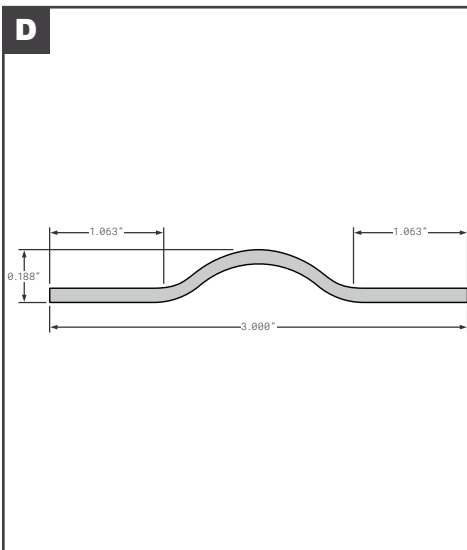


ROAD EQUIPMENT PARTS CENTER

Side Posts

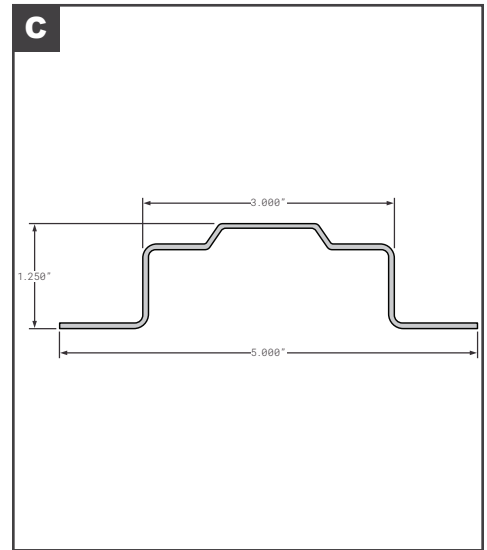
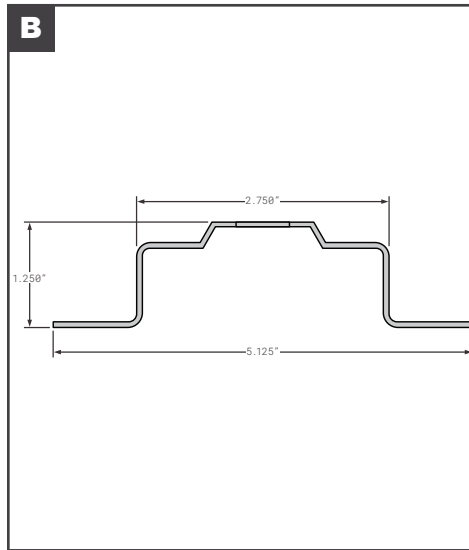
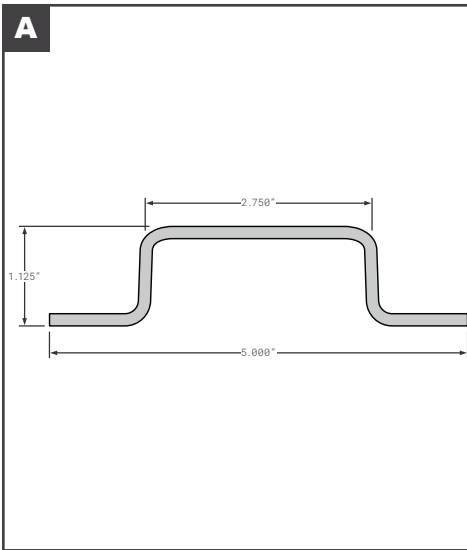


Side Posts

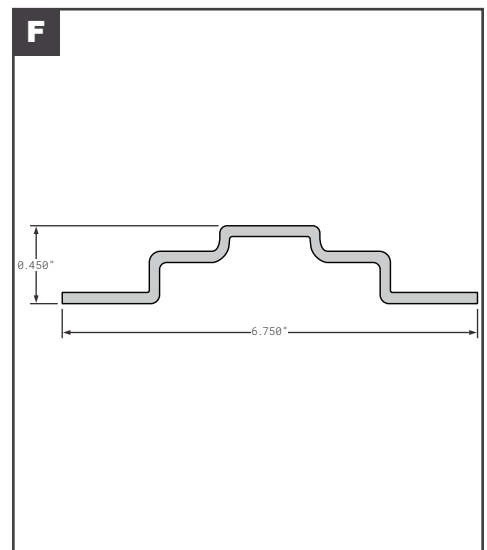
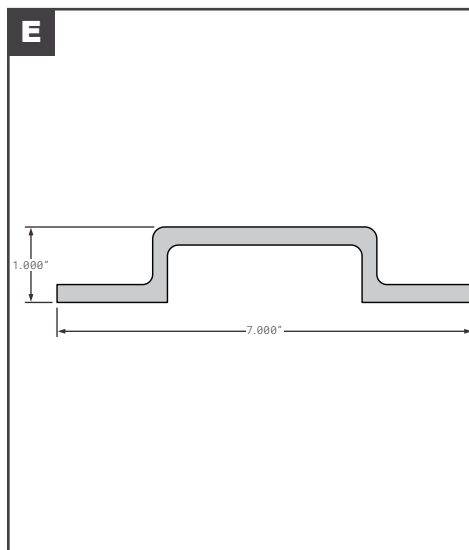
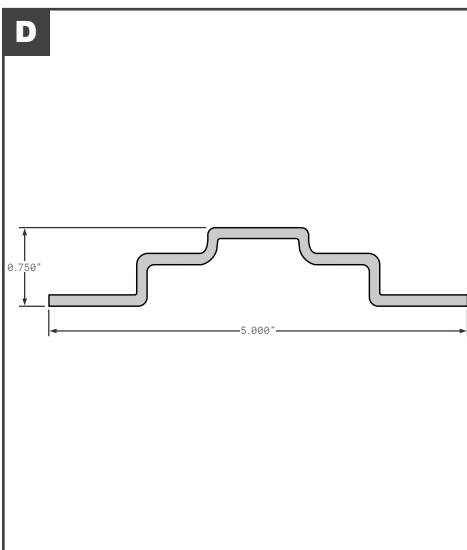


	Part No.	Description	Replaces	Length
A	SPS01-23264-00600	STOUGHTON INNER SPLICE PLATE 3" GALVANIZED	OEM	104.88"
B	SPS01-23264-02900	STOUGHTON INNER SPLICE PLATE 3" GALVANIZED	OEM	--
C	SPS01-23264-03000	STOUGHTON INNER SPLICE PLATE 3" GALVANIZED	OEM	98.75"
D	SPS01-28882-03100	STOUGHTON OUTER SPLICE PLATE PPW 3"	OEM	101.812"
D	SPS01-28916-03100	STOUGHTON OUTER SPLICE PLATE WITH FOAM 3"	OEM	101.08125"
D	SPS04-25967-00600	STOUGHTON OUTER SPLICE Z-PLATE PPW	OEM	109"
E	SPS04-20577-00600	STOUGHTON A-SLOT SIDE POST GALVANIZED	OEM	108"
F	SPS04-20671-00600	STOUGHTON SIDE POST GALVANIZED 14GA	OEM	108"
F	SPS04-29200-00600	STOUGHTON SIDE POST STEEL	OEM	--

Side Posts

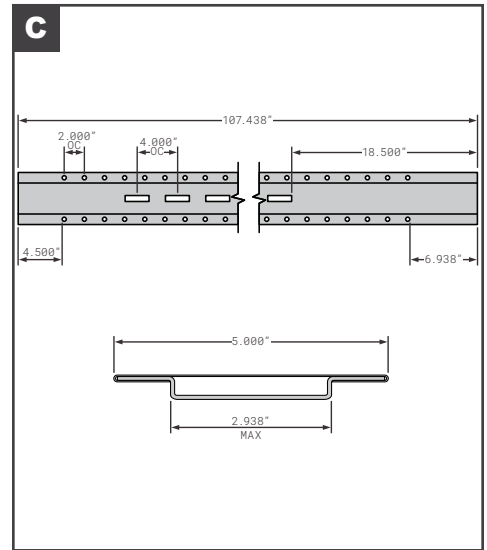
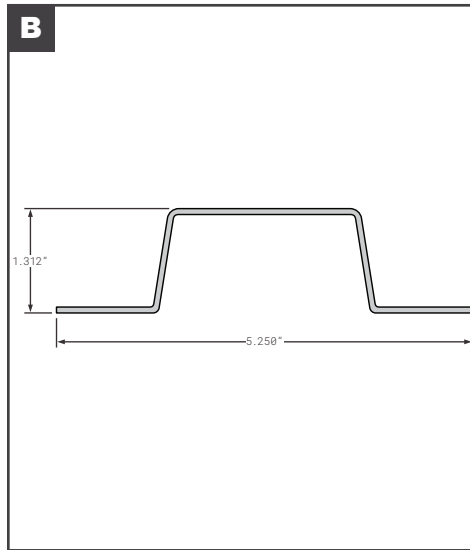
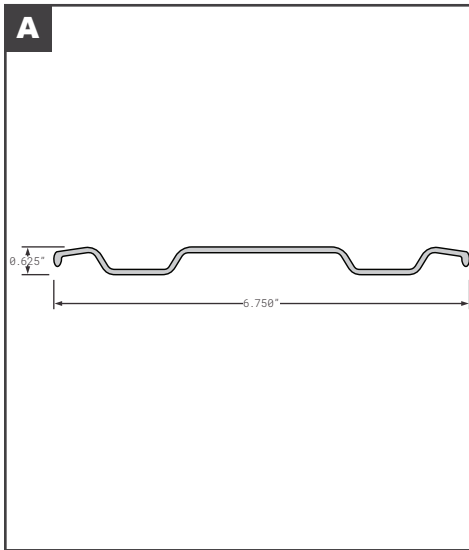


Side Posts

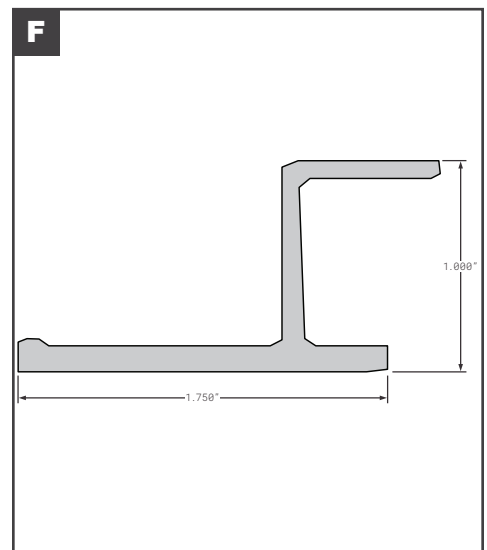
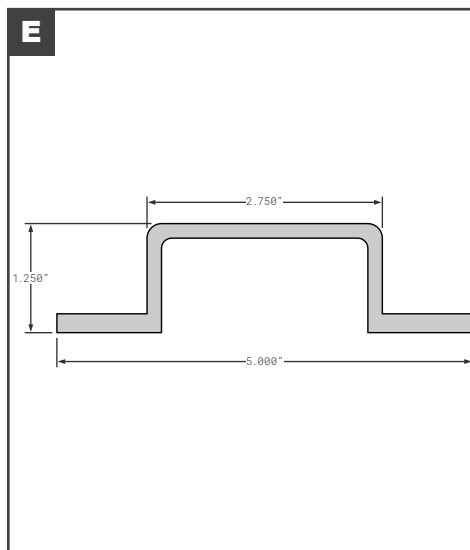
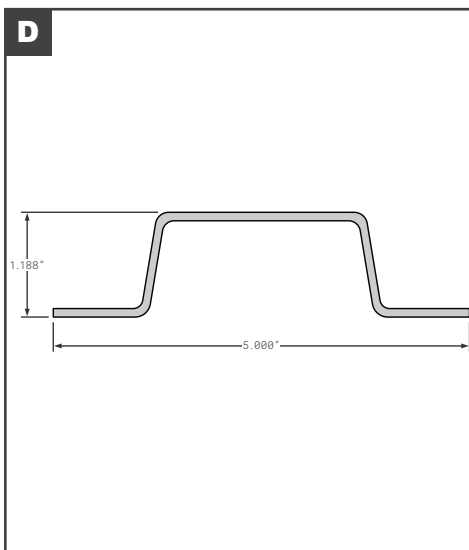


	Part No.	Description	Replaces	Length
A	SPS04-21216-00000	STOUGHTON SIDE POST GALVANIZED 14GA	OEM	106.5"
B	SPS04-29105-00600	STOUGHTON SIDE POST STEEL	OEM	109.62"
C	SPS21-000167	STOUGHTON SIDE POST STEEL	OEM	--
D	STR54120	STRICK LOGISTIC A-SLOT SIDE POST GALVANIZED STEEL 3/4	SK46230	107.25"
E	STR54244	STRICK LOGISTIC A SLOT SIDE POST ALUMINUM	OEM	105.88"
F	STR59329	STRICK LOGISTIC SIDE POST GALVANIZED STEEL .45	OEM	108.88"

Side Posts

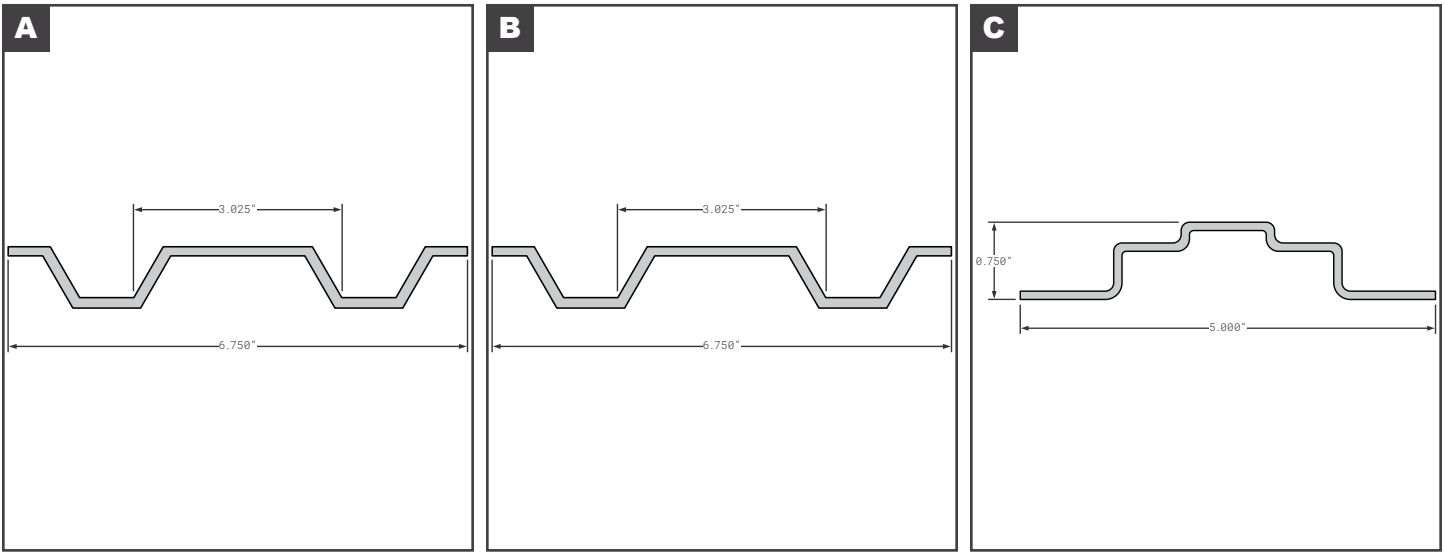


Side Posts

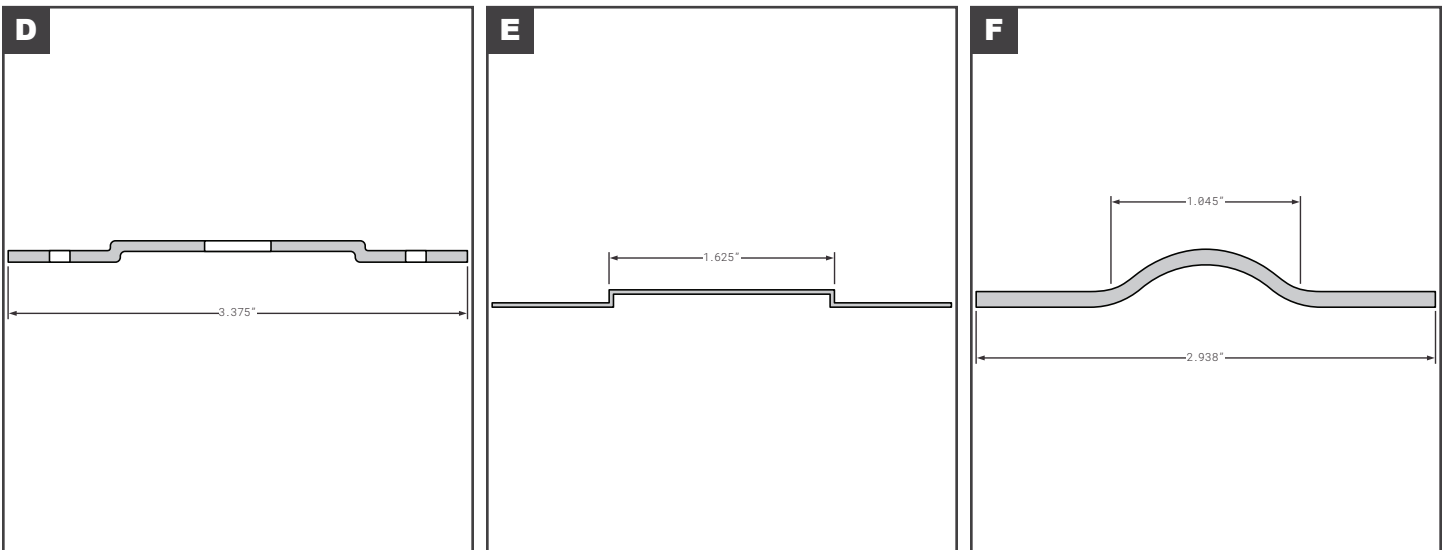


	Part No.	Description	Replaces	Length
A	STR62014	STRICK LOGISTIC A SLOT SIDE POST GALVANIZED STEEL	OEM	107.31"
B	STR728437	STRICK SIDE NOSE POST GALVANIZED STEEL 5.25" HAT 1.3125" DEEP	OEM	107.5"
C	7513-5-044-1166	TRAILMOBILE ULTRA PLATE ASSEMBLED POST PUNCHED	OEM	110"
D	90-4-1988P-0-112	TRAILMOBILE GALVANIZED STEEL HAT 1-3/16 X 5" WIDE PUNCHED	OEM	112"
E	90-4-483-0-114	TRAILMOBILE ALUMINUM HAT 1.25"	OEM	--
F	FCB035-802	UTILITY STYLE 3000R ALUMINUM J	01-6500-0-157	--

Side Posts

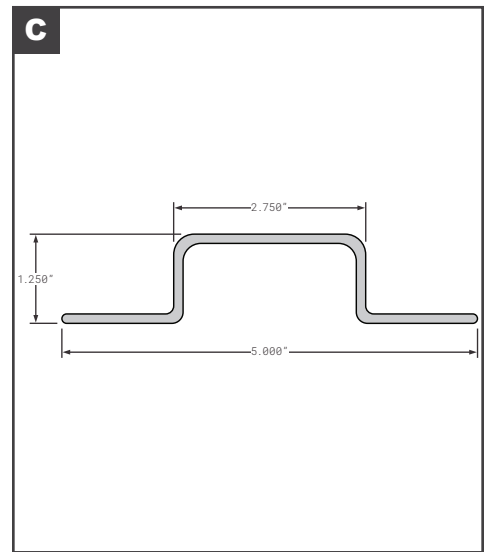
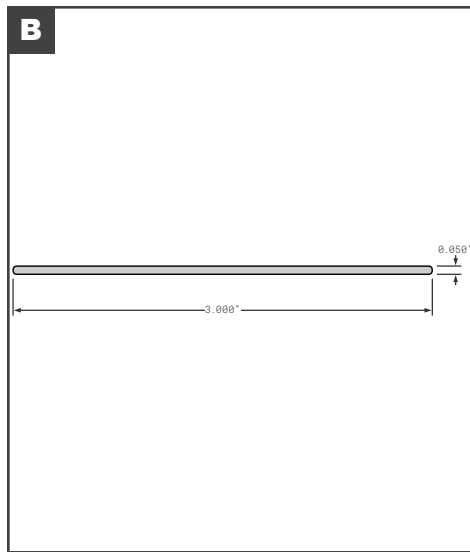
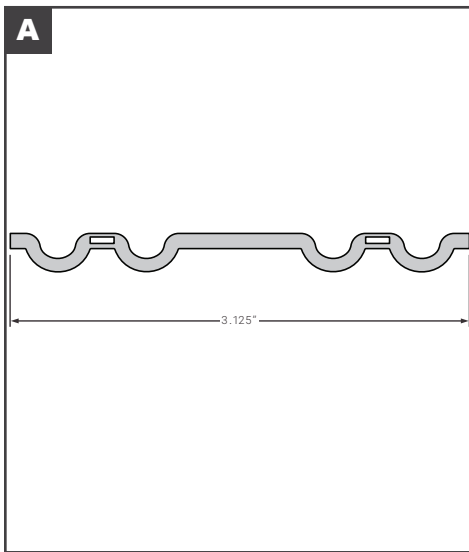


Side Posts

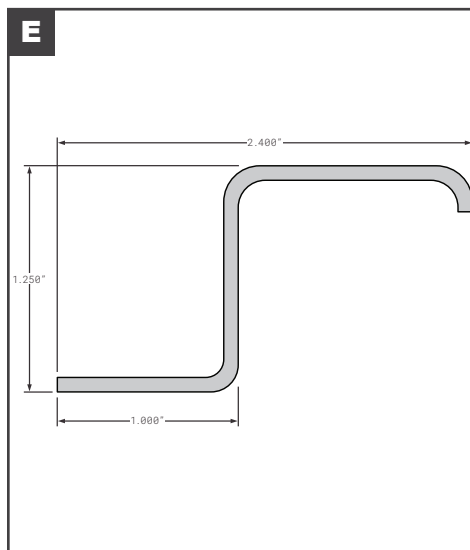
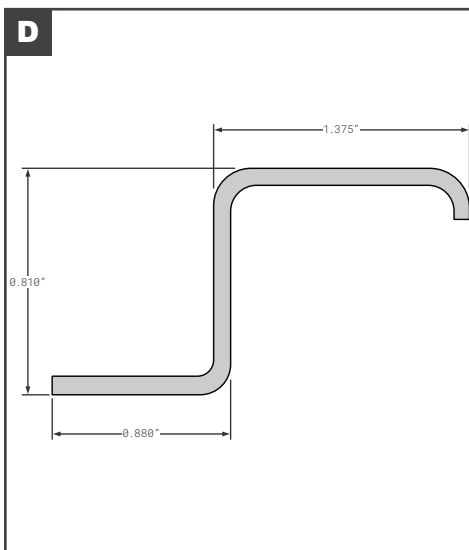


	Part No.	Description	Replaces	Length
A	FCB035-807	UTILITY STYLE SIDE POST GALVANIZED STEEL 03-6512-0-047 .75 X 6.5" LOGISTIC 4" ON CENTER	03-6512-0-047	--
B	FCB035-807-001	UTILITY STYLE SIDE POST GALVANIZED STEEL 03-6512-0-065 .41" LOGISTIC 4" ON CENTER	03-6512-0-065	--
C	FCB035-860	VANGUARD STYLE SIDE POST GALVANIZED STEEL PST00029 .75"	PST00029	--
D	FCB035-865	VANGUARD STYLE SIDE POST INNER PST00056 COMPOSITE PLATE LOGISTIC	PST00056	--
E	FCB035-865-001	VANGUARD STYLE SIDE POST OUTER PST00055 COMPOSITE PLATE PPW	PST00055	--
F	FCB035-880	WABASH STYLE SIDE POST WAB01A01752 COMPOSITE PLATE PPW	WAB01A01752	--

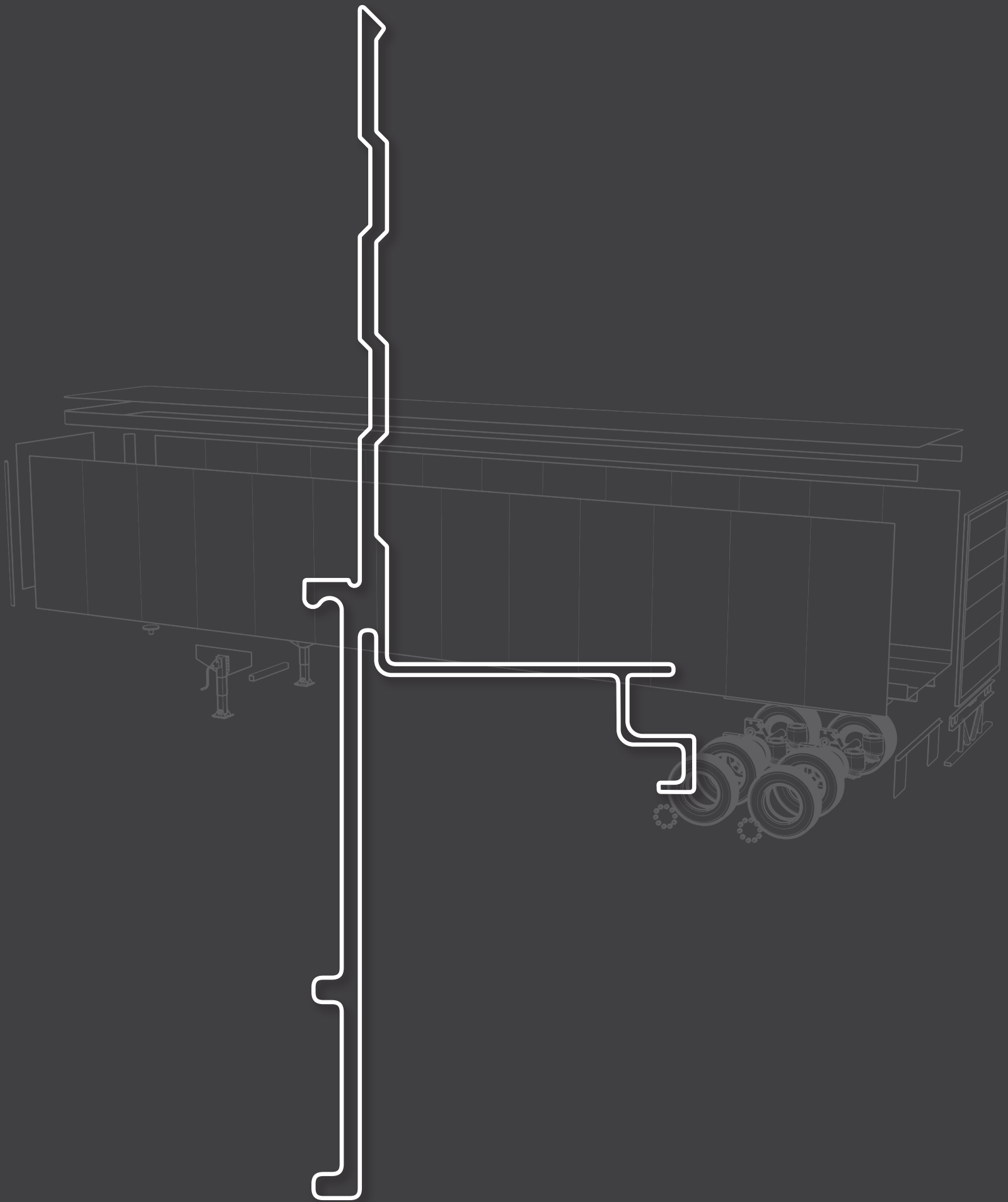
Side Posts



Side Posts



	Part No.	Description	Replaces	Length
A	FCB035-880-002	WABASH STYLE SIDE POST INNER WAB53002552 COMPOSITE PLATE LOGISTIC	WAB53002552	110"
B	FCB035-880-004	WABASH STYLE SIDE POST OUTER WAB01A01850 COMPOSITE PLATE PPW FLAT	WAB01A01850	108.25"
C	FCB035-901	WABASH STYLE SIDE POST GALVANIZED STEEL UNIVERSAL 1.25 X 5" 01200069 NON-LOGISTIC	1200069	110"
D	SUP01201150-06	WABASH (FORMERLY SUPREME) Z .81"	015992, 01201150-06	101.5"
E	SUP01201147-07	WABASH (FORMERLY SUPREME) Z 1.25" HOLES 2" ON CENTER	015554765A, 01201147-07	107.5"
E	SUP015201011A	WABASH (FORMERLY SUPREME) Z 1.25" - NO HOLES	015201011A	106.38"

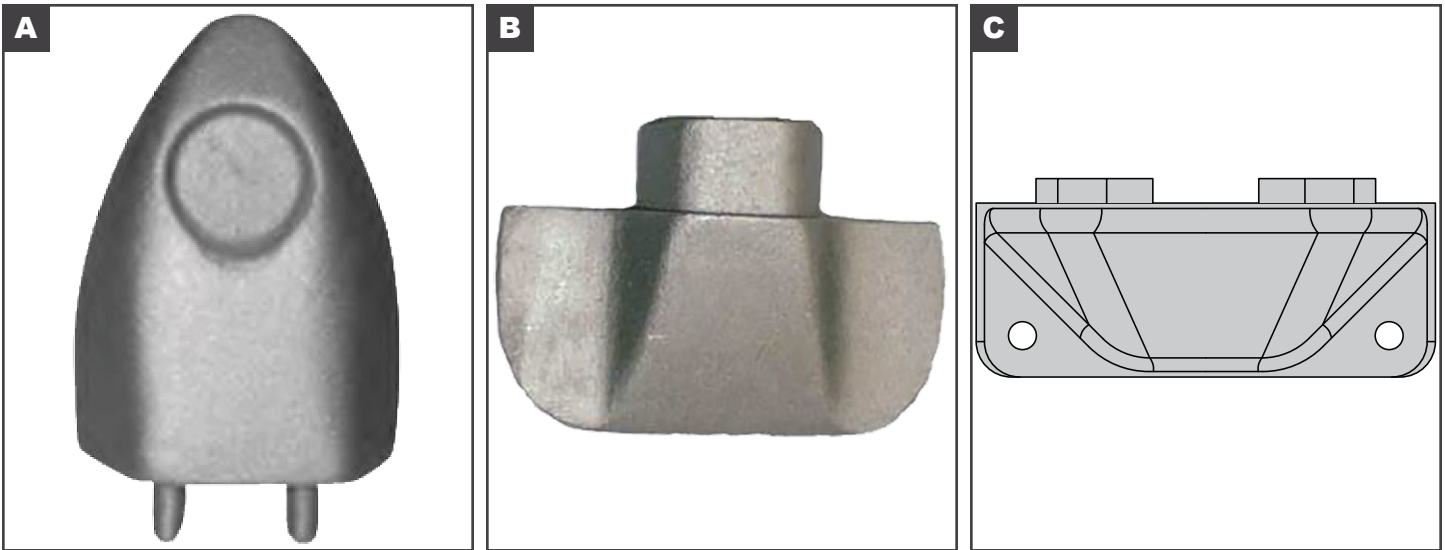




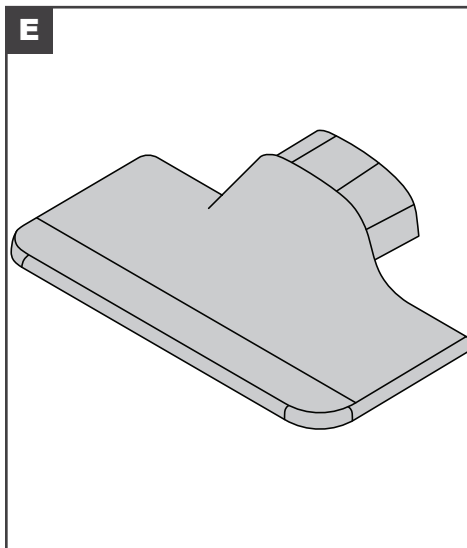
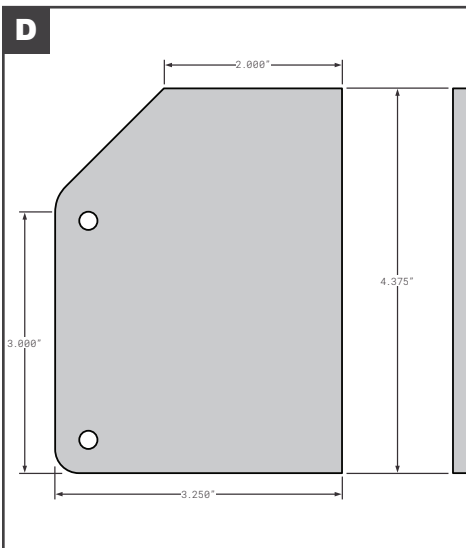
ROAD EQUIPMENT PARTS CENTER

Rails

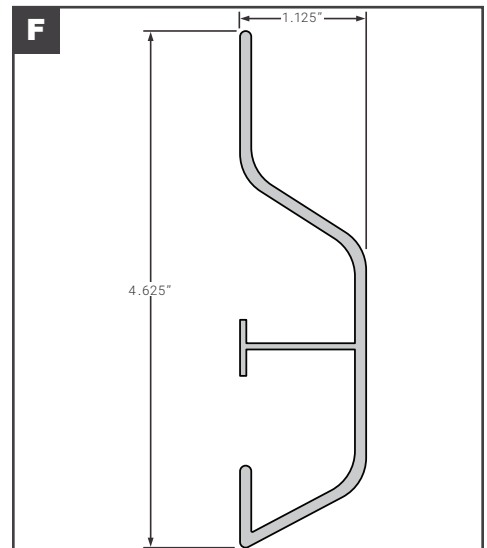
Rub Rail End Caps



Rub Rail End Caps



Side Rub Rails

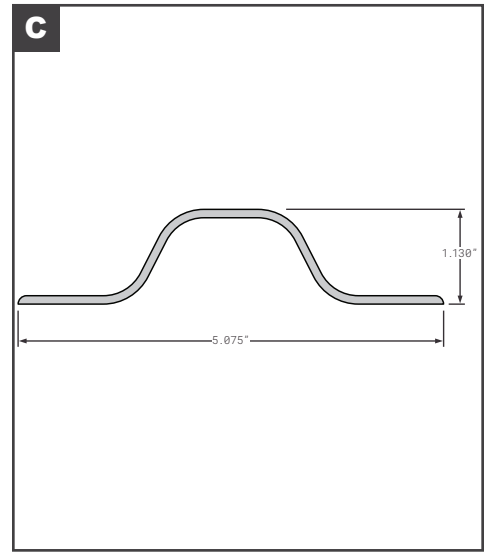
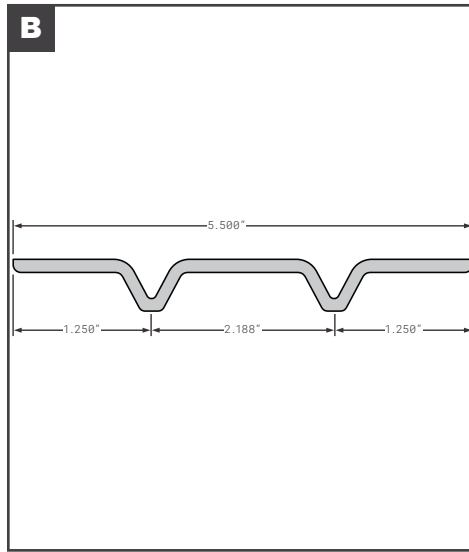
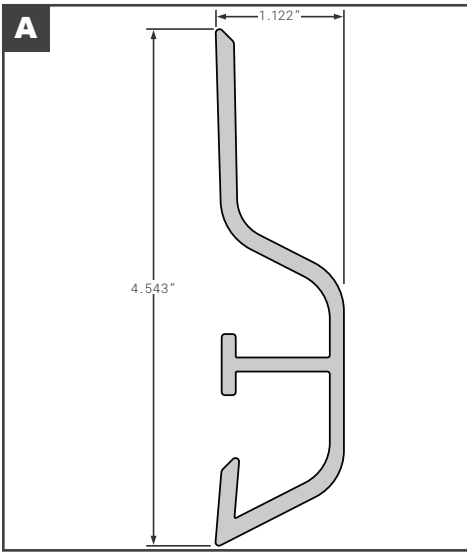


	Part No.	Description	Replaces	Length
A	FCB005-890	ALL MAKES UNIVERSAL ROUND HALF MOON STYLE	--	--
A	HYU10064608	HYUNDAI RUB RAIL END CAP	OEM	--
B	FCB005-756-003	MORGAN STYLE RUB RAIL END CAP	006972	--
B	MOR006972	MORGAN RUB RAIL END CAP	OEM	--
C	SPS04-21987-00000	STOUGHTON ALUMINUM CAP FOR RUB RAIL	OEM	--
D	SPS01-22292-00000	STOUGHTON RUB RAIL END CAP SHIM	OEM	--
E	SUPA1300340	SUPREME END CAP 001080 ROUND RUB RAIL	OEM	--
F	FCB045-890	ALL MAKES UNIVERSAL RUB RAIL	WABE076000, WABE0766130, 02 18804 613 50, 60314403	624"



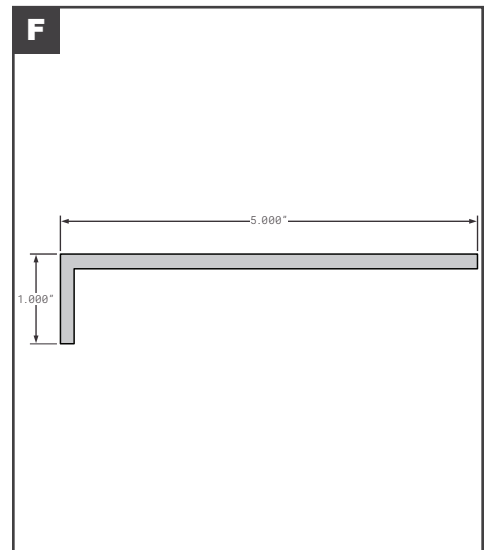
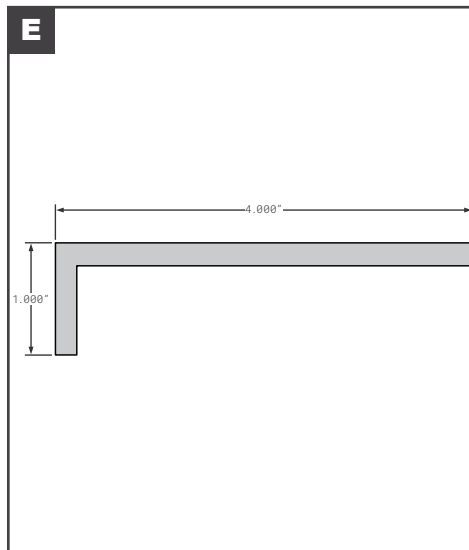
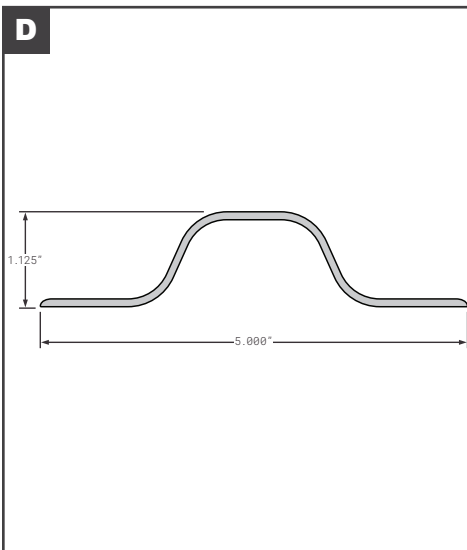
ROAD EQUIPMENT PARTS CENTER

Side Rub Rails



Side Rub Rails

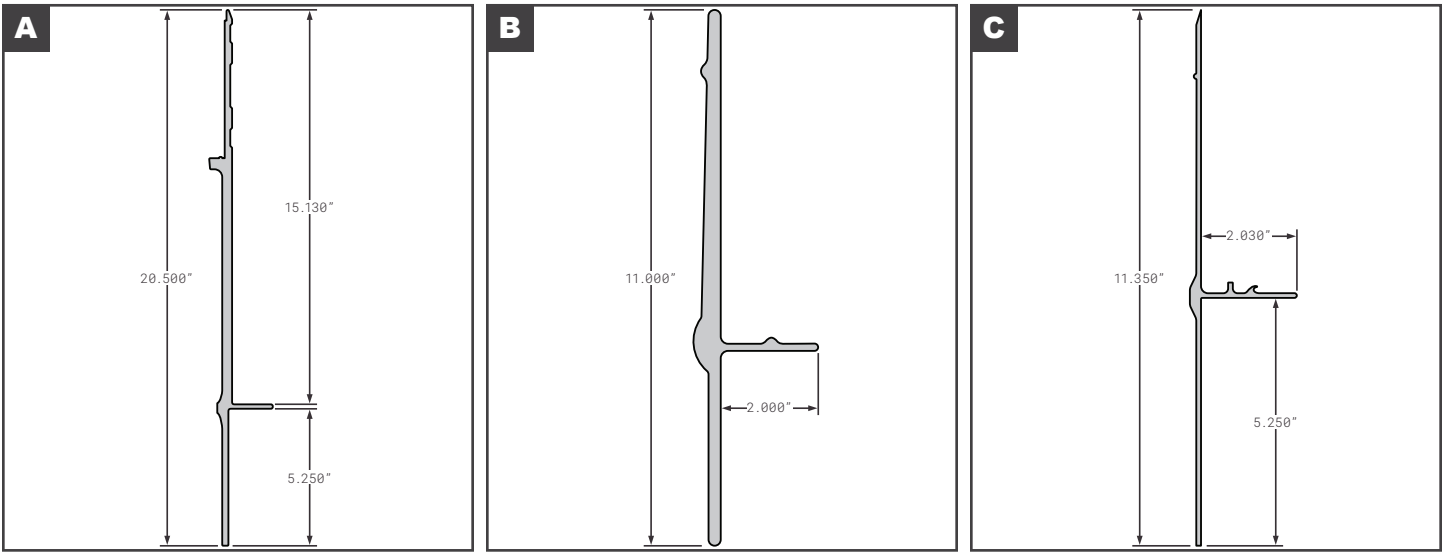
Side Bottom Rails



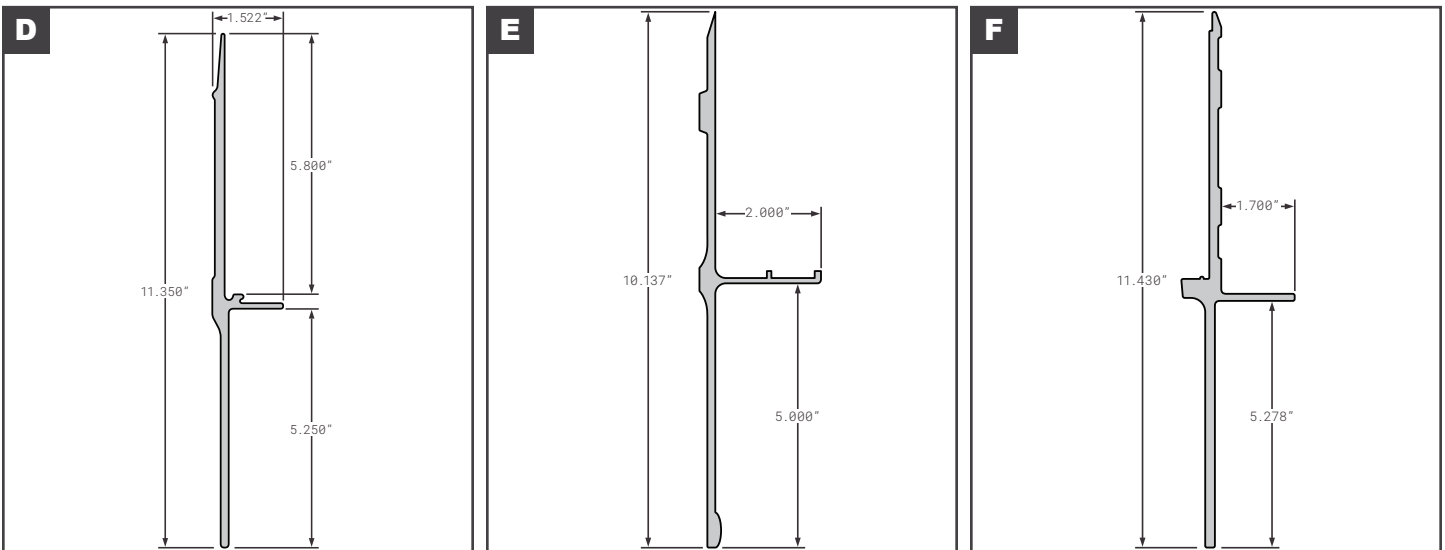
	Part No.	Description	Replaces	Length
A	HYU10028852	HYUNDAI RUB RAIL	OEM	612.20"
B	HYU10009072	HYUNDAI RUB RAIL	OEM	314.6"
C	FCB045-756	MORGAN STYLE ROUND RUB RAIL	0045597, 004553, 004558	336"
C	MOR0045597	MORGAN ROUND RUB RAIL	OEM	--
D	SUPED153000	WABASH (FORMERLY SUPREME) ROUND STYLE	OEM	300"
E	FCB045-910	UNIVERSAL REINFORCEMENT STEEL ANGLE 1 X 4"	--	120"
F	FCB045-911	UNIVERSAL REINFORCEMENT STEEL ANGLE 1 X 5"	--	120"

Rails

Side Bottom Rails

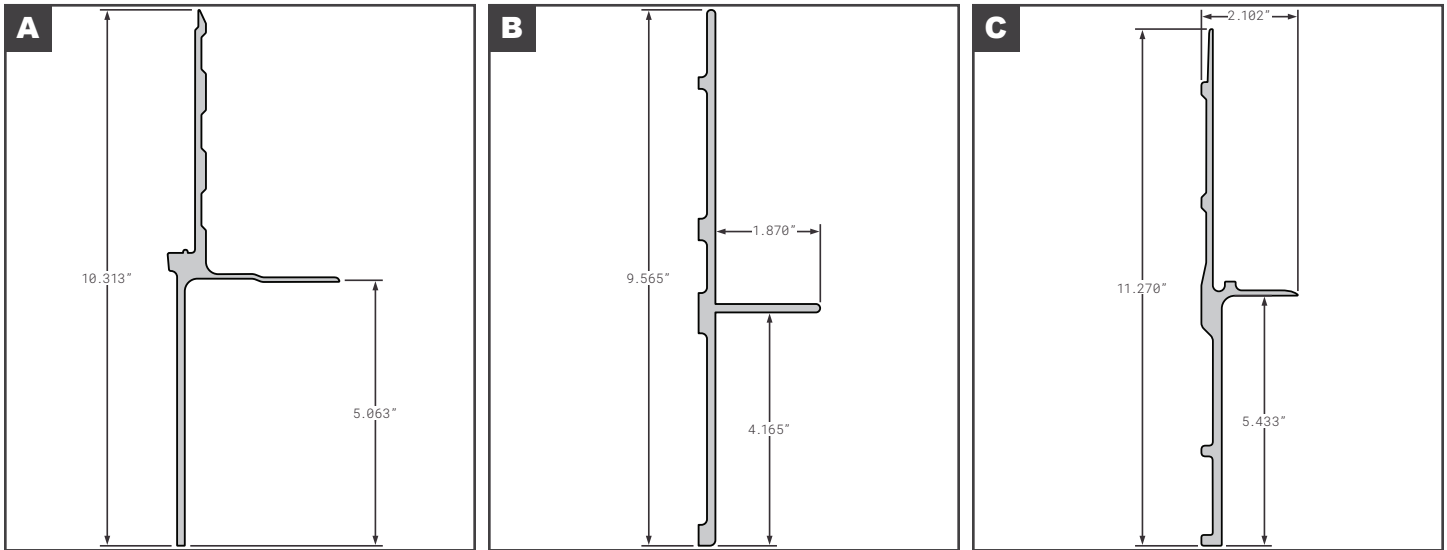


Side Bottom Rails

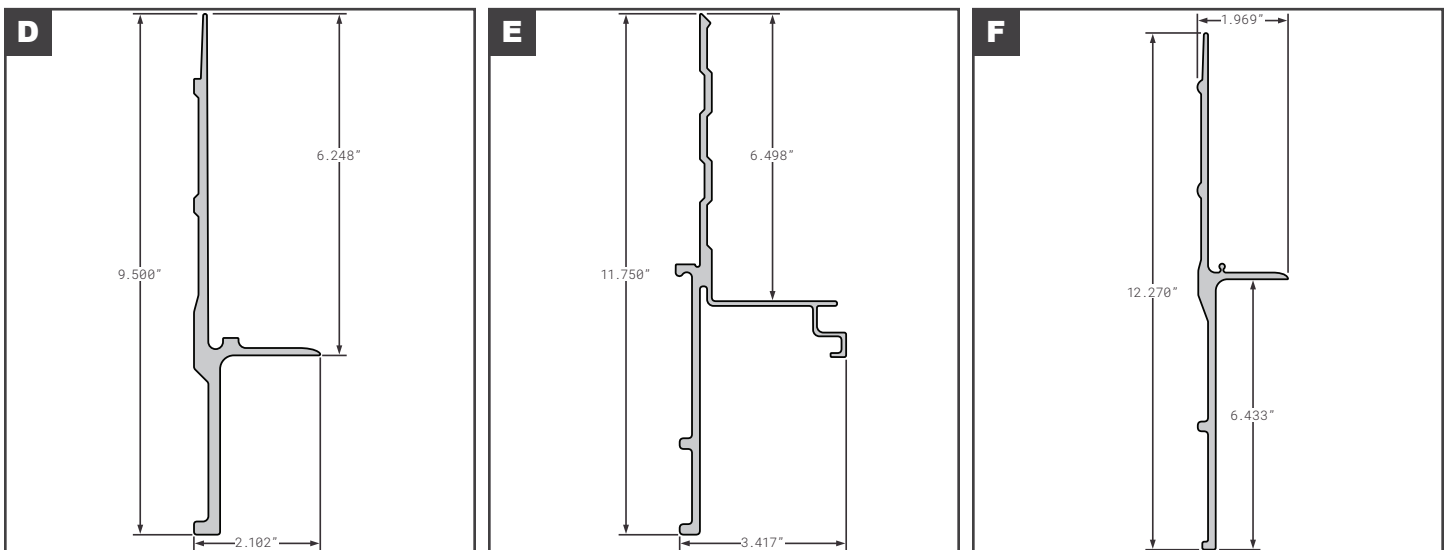


	Part No.	Description	Replaces	Length
A	FCB045-205	GREAT DANE STYLE COMPOSITE HIGH BASE	60318832X624.13	624"
B	FCB045-210-001	GREAT DANE STYLE CLASSIC	60304106, 603041VV-53	624"
C	FCB045-214	GREAT DANE STYLE P-SERIES	60308901, 603089VV-53	624"
	- Alternative Lengths	FCB045-214-11	60308901, 603089VV-53	132"
D	FCB045-218	GREAT DANE STYLE P-SERIES THINWALL	60317303, 603173VV-53	624"
	- Alternative Lengths	FCB045-218-11, FCB045-218-30	60317303, 603173VV-54	132", 360"
E	FCB045-219	GREAT DANE STYLE REEFER	60315409, 603154VV-53	624"
F	FCB045-220-001	GREAT DANE STYLE COMPOSITE PLATE	60318401, 603184VV-53	624"
	- Alternative Lengths	FCB045-220-001-11, FCB045-220-001-22, FCB045-220-001-30	60318401, 603184VV-53	132", 264", 360"

Side Bottom Rails

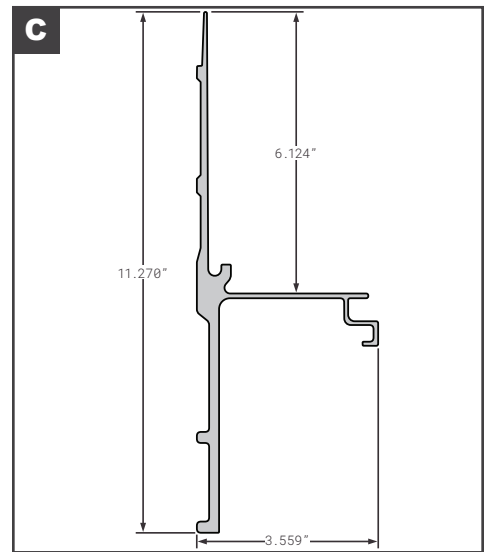
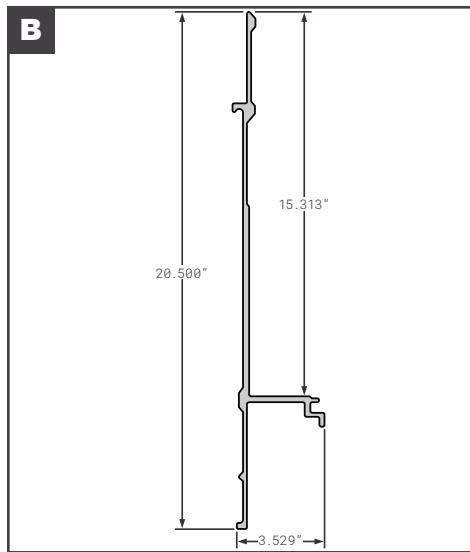
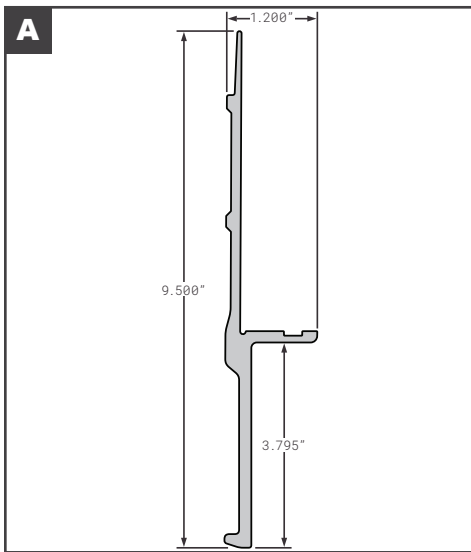


Side Bottom Rails

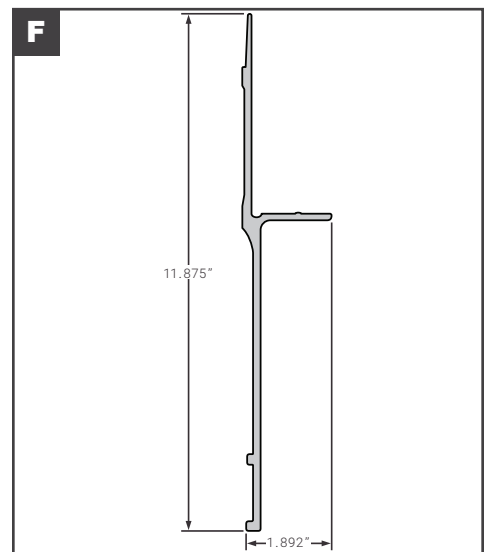
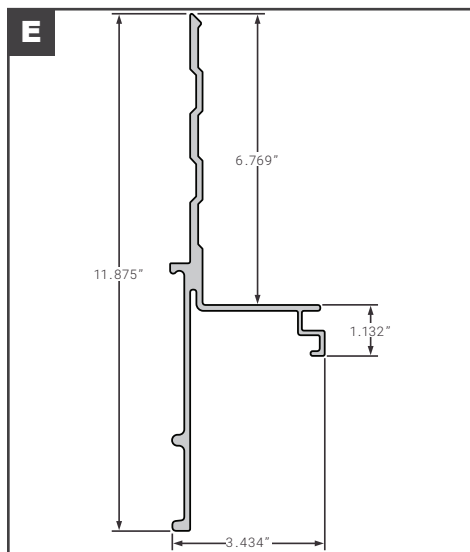
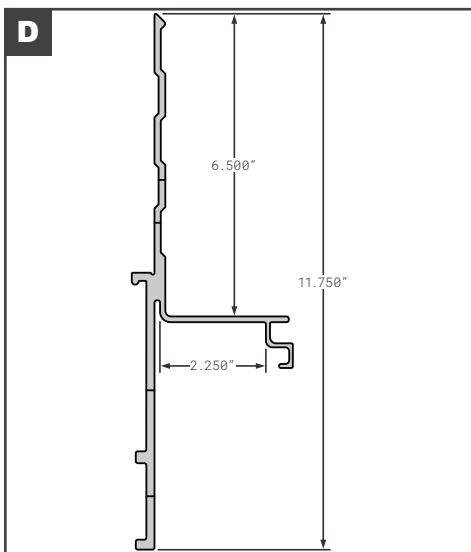


	Part No.	Description	Replaces	Length
A	FCB045-221	GREAT DANE 2018 2ND GEN. COMPOSITE PLATE	60318896-52	624"
	- Alternative Lengths	FCB045-221-11, FCB045-221-30	60318896-11, 60318896-30	132", 360"
B	FCB045-806-001	GREAT DANE 2018 OR NEWER COMPOSITE NEW STYLE EXTRUDED ALUMINUM MILL FINISH	01-6650-0-167	624"
	- Alternative Lengths	FCB045-806-001-11, FCB045-806-001-22, FCB045-806-001-30	01-6650-0-167	132", 264", 360"
C	HYU10012834	HYUNDAI COMPOSITE THERMOTTECH	E06-003	621.3"
D	HYU10024232	HYUNDAI DOMESTIC CONTAINER	E06-028	464.3"
E	HYU10026320	HYUNDAI COMPOSITE	E06-035	626"
F	HYU10028597	HYUNDAI THERMOTTECH	E06-050	626"

Side Bottom Rails

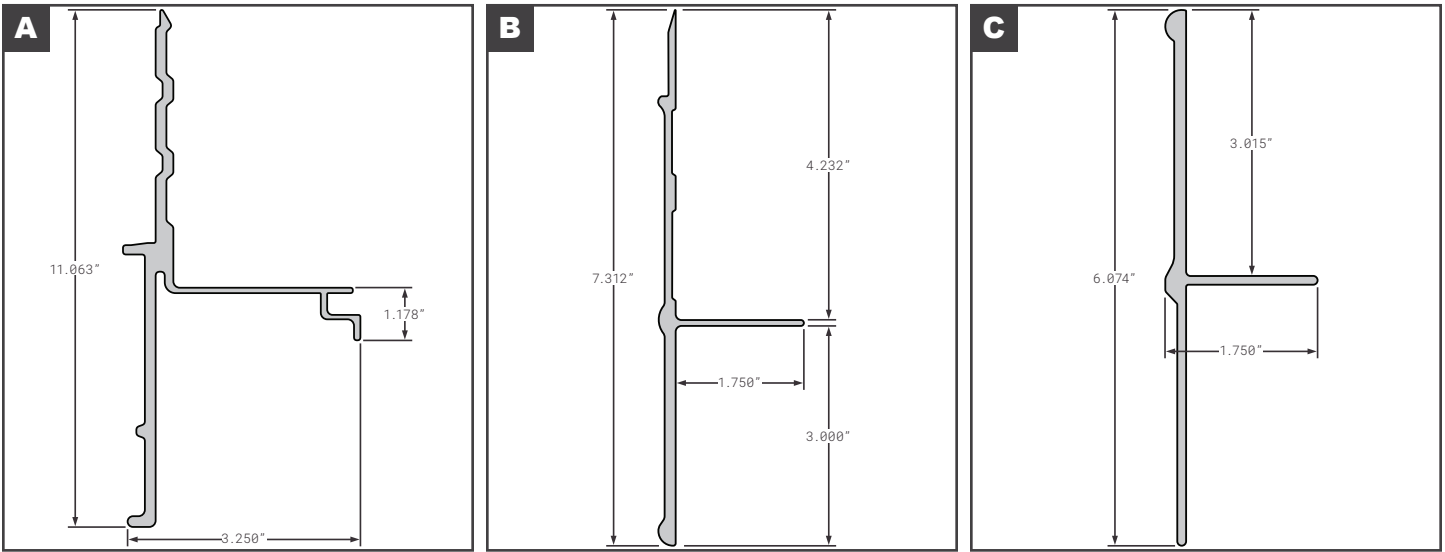


Side Bottom Rails

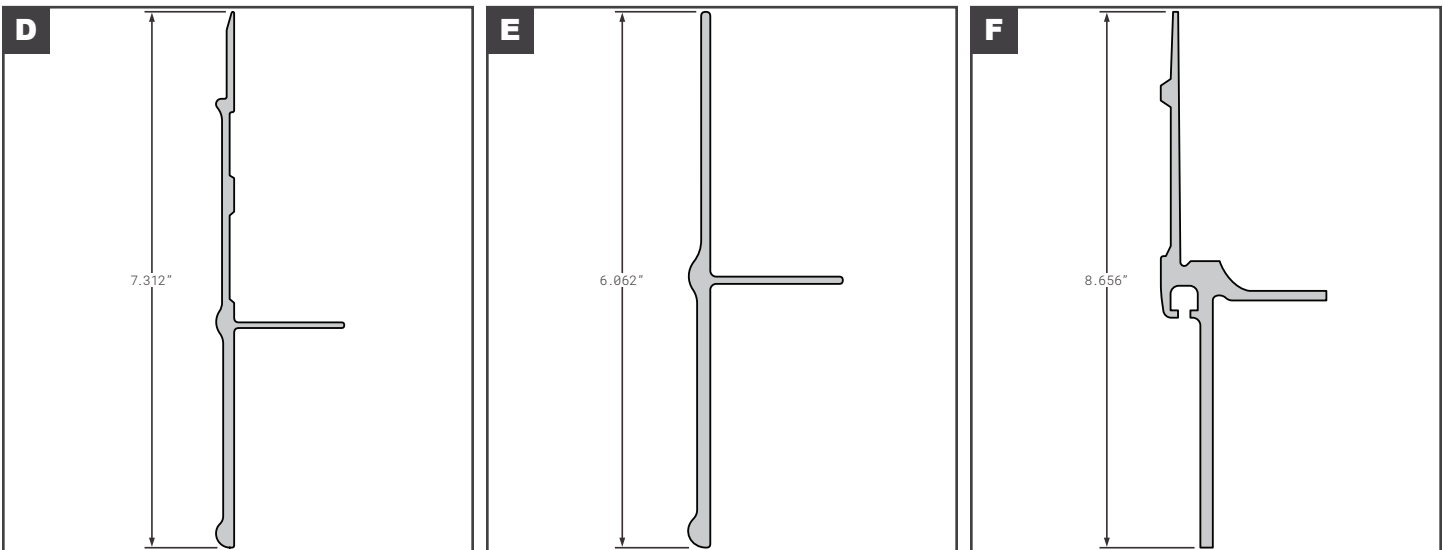


	Part No.	Description	Replaces	Length
A	HYU10034643	HYUNDAI DROP-FRAME	E06-054	319.3"
B	HYU10040083	HYUNDAI COMPOSITE XT WIDE BASE	E06-061	622"
C	HYU10060538	HYUNDAI ORIGINAL HYCUBE THERMOTECH DROP-FRAME	E06-023	626"
D	HYU10060550	HYUNDAI COMPOSITE	E06-057	626"
E	HYU10060551	HYUNDAI COMPOSITE	E06-064	626"
F	HYU10062522	HYUNDAI REEFER 2019 AND NEWER	E06-076	622.6"

Side Bottom Rails

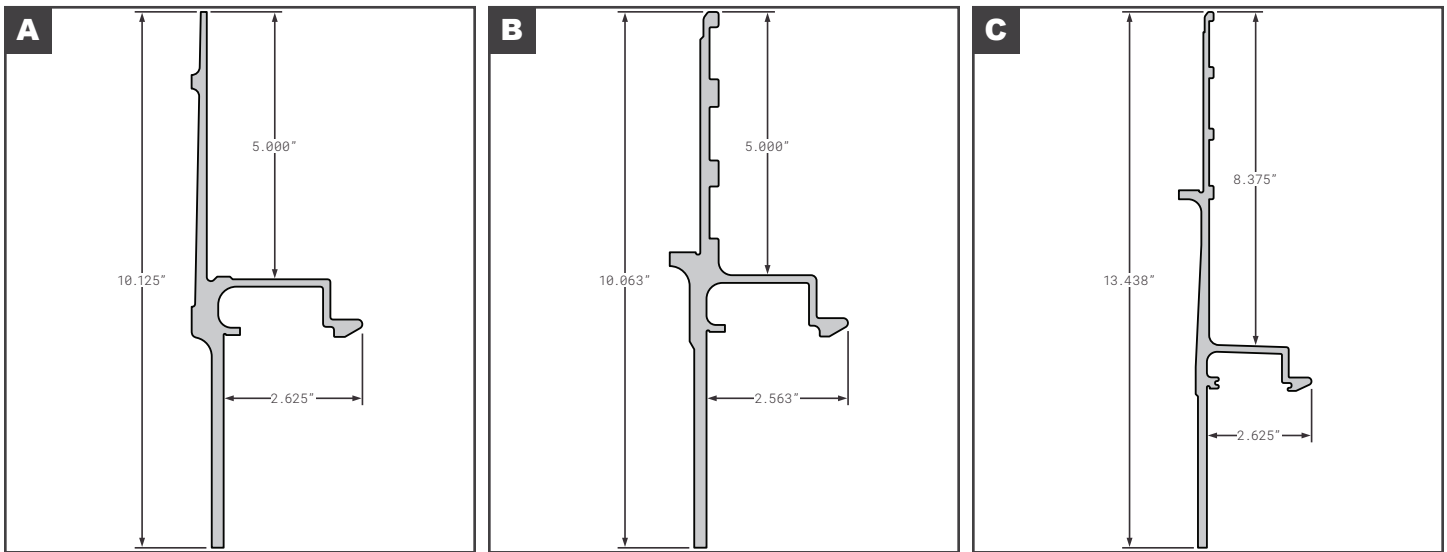


Side Bottom Rails

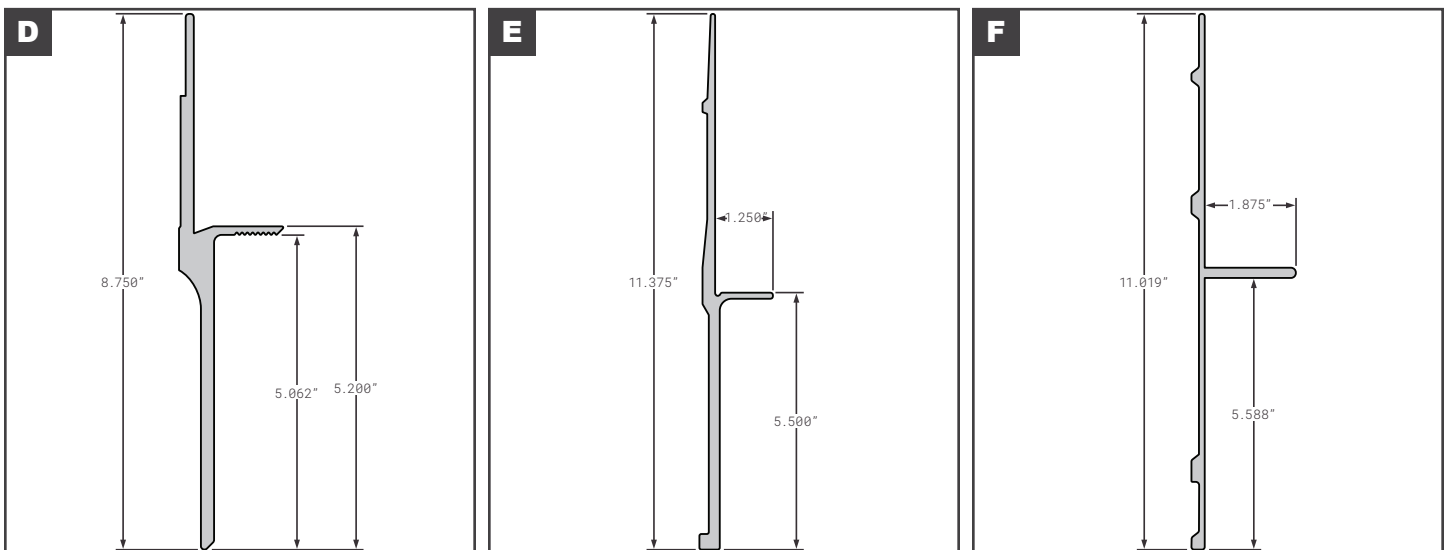


	Part No.	Description	Replaces	Length
A	HYU10072624	HYUNDAI LIGHTWEIGHT DESIGN COMPOSITE TRAILERS	E06-087	621"
B	FCB045-751	MORGAN STYLE GVSD & GVSR	000725, 000745, 000785	336"
	- Alternative Lengths	FCB045-751-11	000725, 000745, 000785	132"
C	FCB045-758-028	MORGAN STYLE GVFD & GVMD	1403809, 14038205	336"
	- Alternative Lengths	FCB045-758-11	1403809, 14038205	132"
D	MOR000785	MORGAN GVSD & GVSR	OEM	301"
E	MOR14038205	MORGAN NEW STYLE GVFD & GVMD	OEM	325"
F	SPS02-19469-32125	STOUGHTON ALUMINUM	OEM	321.25"

Side Bottom Rails

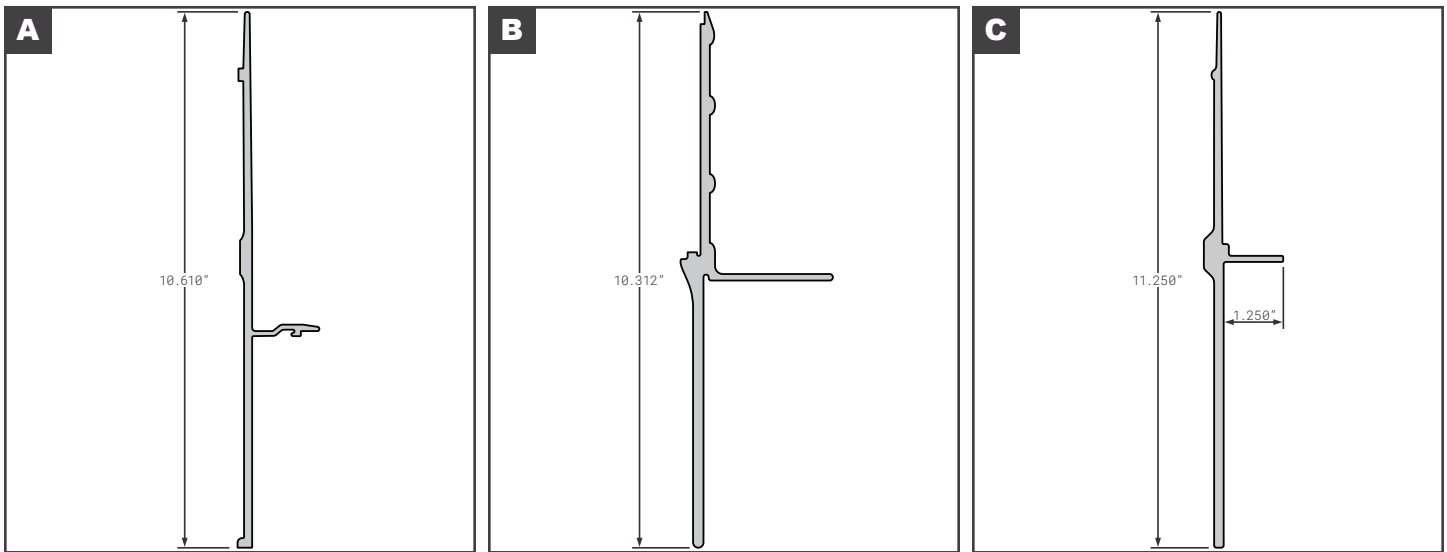


Side Bottom Rails



	Part No.	Description	Replaces	Length
A	SPS02-22823-62450	STOUGHTON NEW STYLE BOTTOM RAIL	OEM	624"
B	SPS02-22839-62350	STOUGHTON ALUMINUM ZPV	OEM	623.5"
C	SPS02-28458-62450	STOUGHTON Z-PLATE	OEM	624.5"
D	STR01857	STRICK BOTTOM RAIL E98 and E99	OEM	624"
E	90-4-2352-621	TRAILMOBILE NEW STYLE SHEET & POST	OEM	624"
	- Alternative Lengths	90-4-2352-132	OEM	132"
F	FCB045-806	UTILITY STYLE VS2RA 3000R USE W/ 5.5" CROSSMEMBER	01-6650-0-149	624"
	- Alternative Lengths	FCB045-806-11, FCB045-806-22, FCB045-806-30	01-6650-0-149	132", 264", 360"

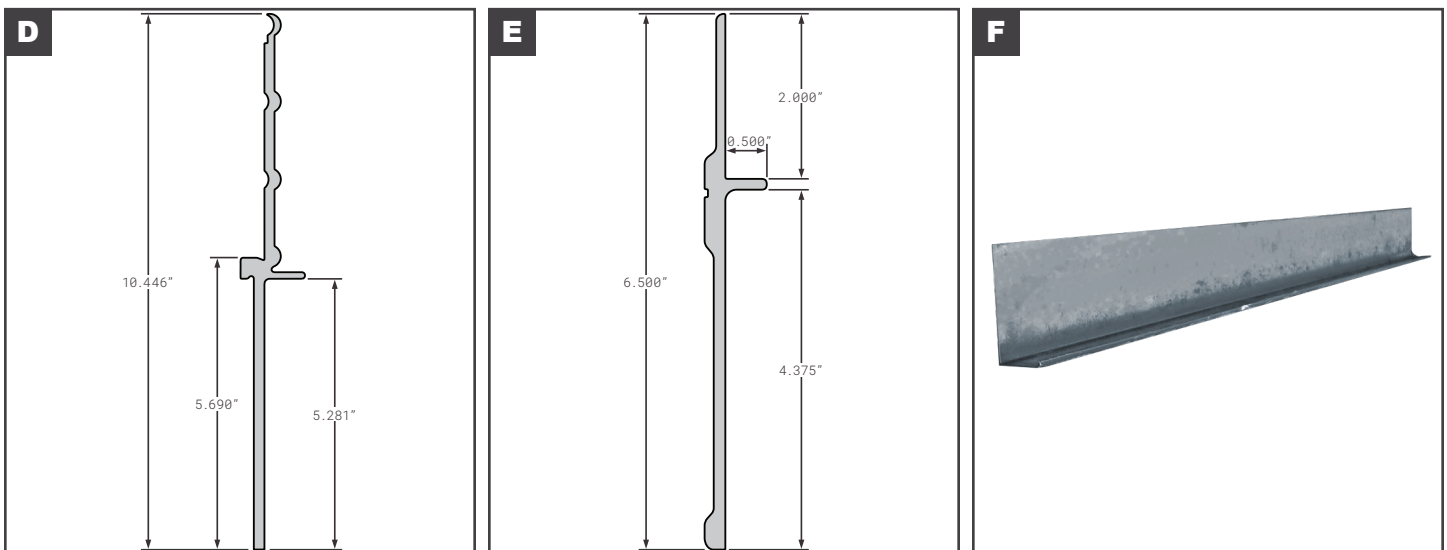
Side Bottom Rails



Rails

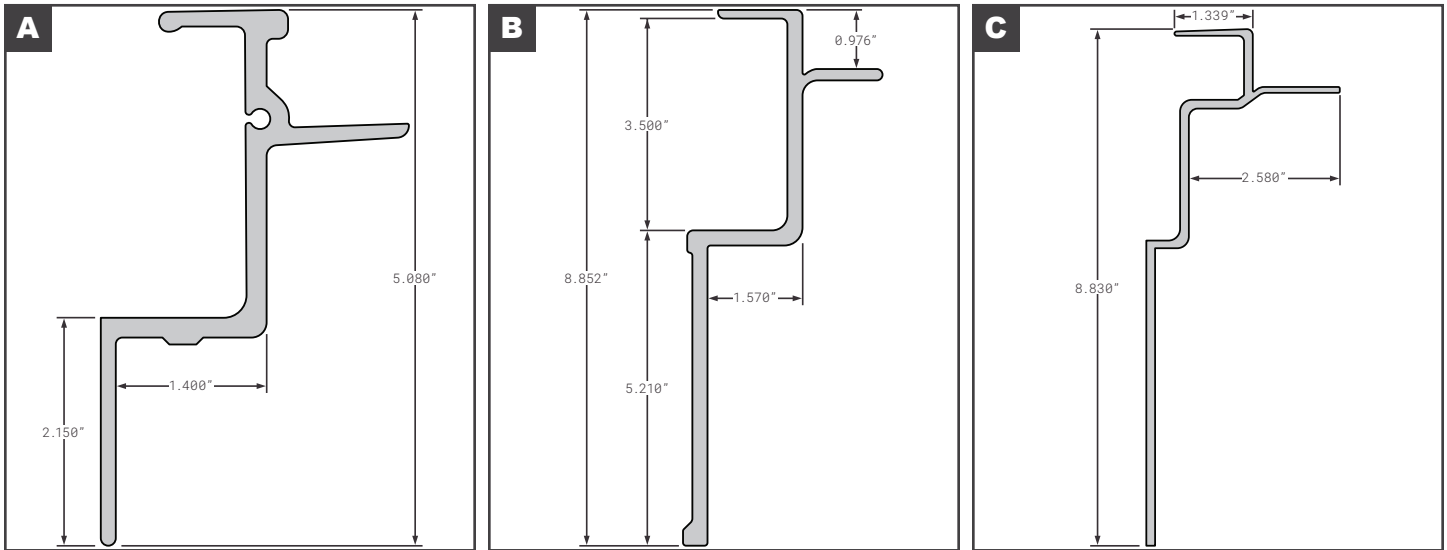
Side Bottom Rails

Liftpads

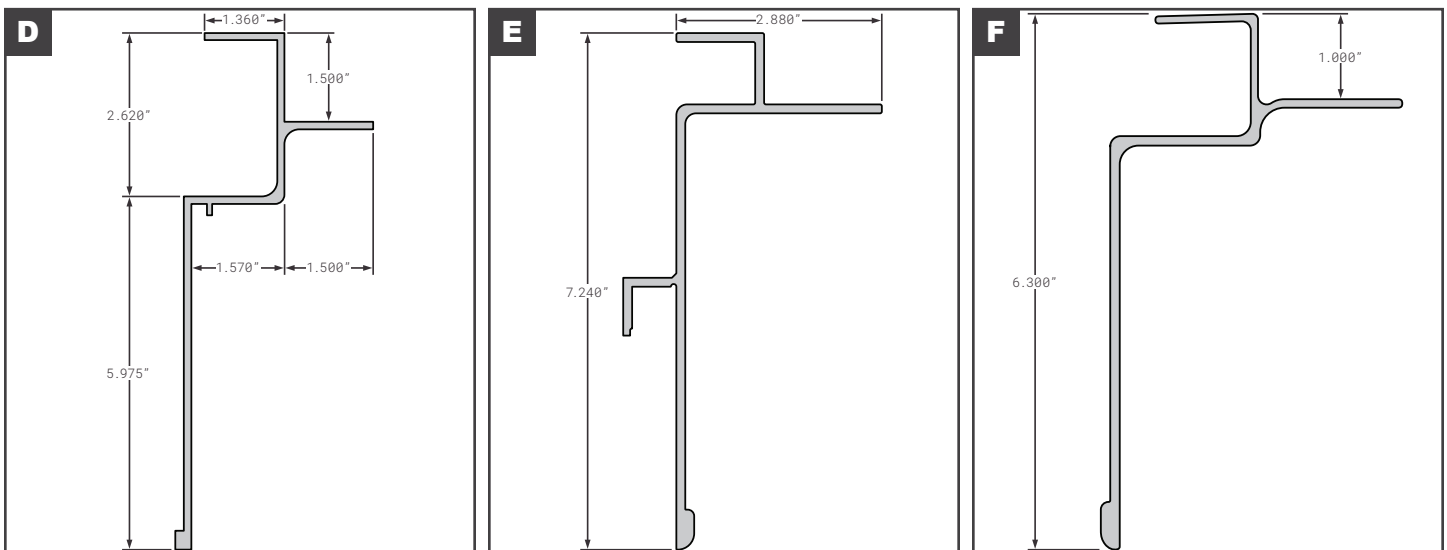


	Part No.	Description	Replaces	Length
A	FCB045-807	UTILITY STYLE N/S DRY VAN VS2DC/DX	01-6650-0-190	624"
	- Alternative Lengths	FCB045-807-11, FCB045-807-22, FCB045-807-30	01-6650-0-190	132", 264", 360"
B	FCB045-865	VANGUARD STYLE COMPOSITE	EXT00072-624.00	624"
	- Alternative Lengths	FCB045-865-11	EXT00072-624.00	132"
C	FCB045-879-001	WABASH STYLE N/S REEFER	WABEA686260	624"
D	FCB045-883	WABASH STYLE NEW STYLE COMPOSITE PLATE	WABEA796260	624"
	- Alternative Lengths	FCB045-883-11, FCB045-883-22, FCB045-883-30	WABEA796260	132", 264", 360"
E	SUPED672334	WABASH (FORMERLY SUPREME) S SERIES	OEM	233.25"
E	SUPED673054	WABASH (FORMERLY SUPREME) S SERIES	OEM	305.25"
E	SUPED673294	WABASH (FORMERLY SUPREME) S SERIES	OEM	329.25"
F	LIFTPAD-60	5' LIFT PAD GALVANIZED 12GA	--	60"
F	LIFTPAD-120	10' LIFT PAD GALVANIZED 12GA	--	120"

Side Top Rails

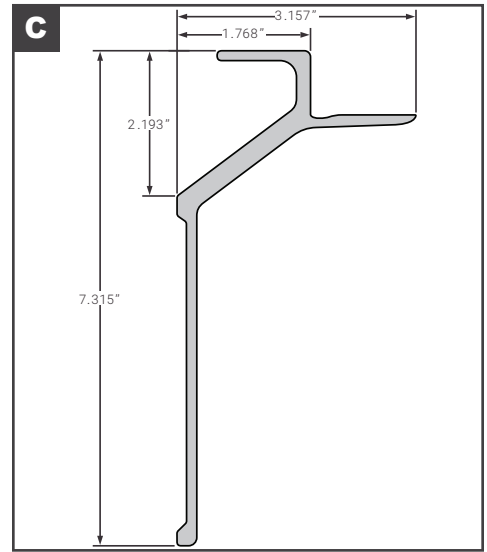
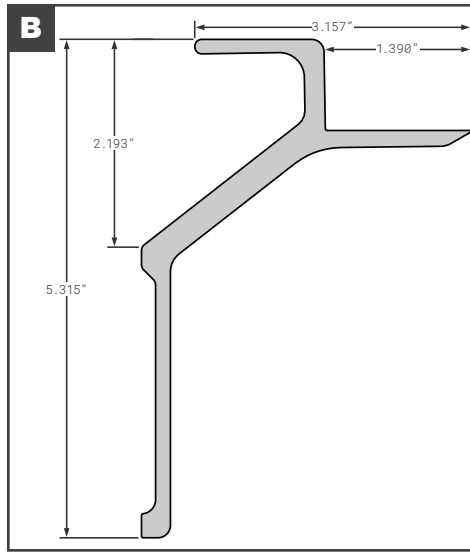
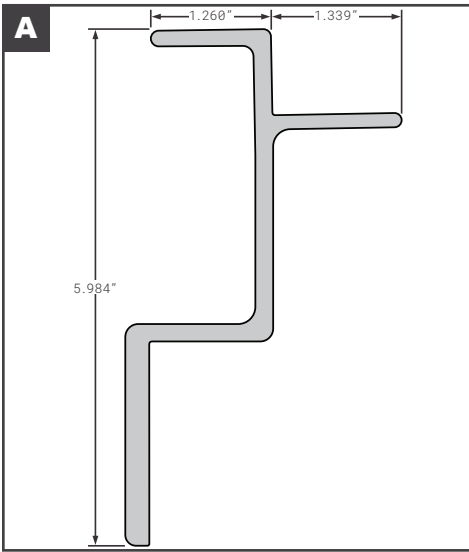


Side Top Rails



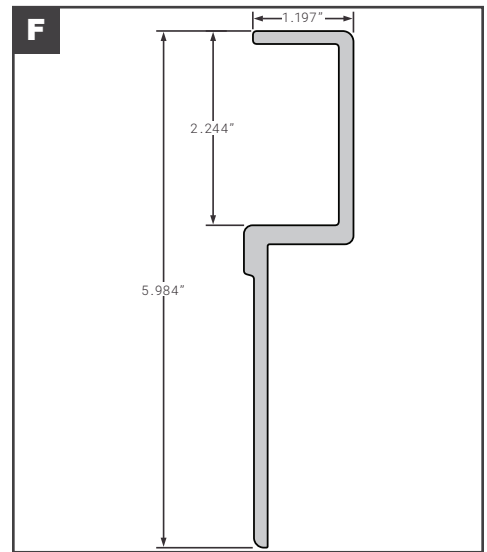
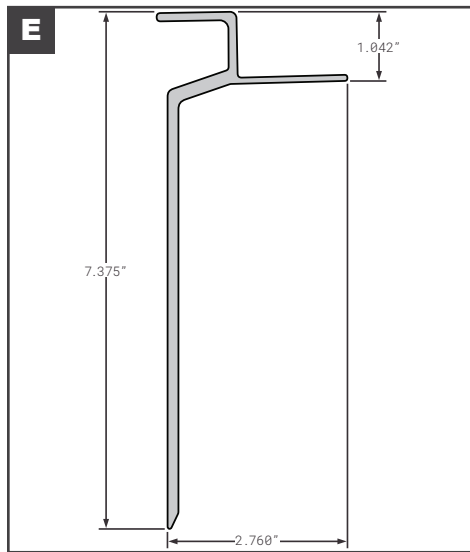
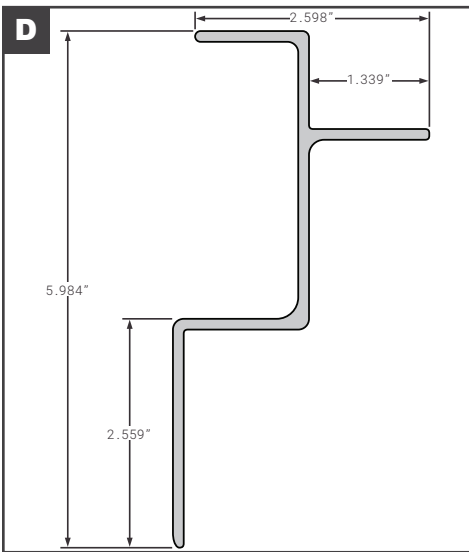
	Part No.	Description	Replaces	Length
A	FCB050-075	A.M. HAIRE STYLE DRY FREIGHT	00008, 7002/26	312"
B	FCB050-217	GREAT DANE STYLE P-SERIES	60309001, 603090VV-53	624"
	- Alternative Lengths	FCB050-217-30	60309001, 603090VV-53	360"
C	FCB050-218	GREAT DANE STYLE P-SERIES THINWALL	60311701, 603117VV-53	624"
D	FCB050-219	GREAT DANE STYLE NEW STYLE REEFER LAX-TEC	60312508, 60312510	624"
E	FCB050-220-001	GREAT DANE STYLE COMPOSITE PLATE	60318848X624.13, 60318848-53	624"
	- Alternative Lengths	FCB050-220-001-11, FCB050-220-001-22, FCB050-220-001-30	60318848X624.13, 60318848-53	132", 264", 360"
F	FCB050-221	GREAT DANE 2018 SHORT STYLE COMPOSITE PLATE	60318897-52	624"

Side Top Rails



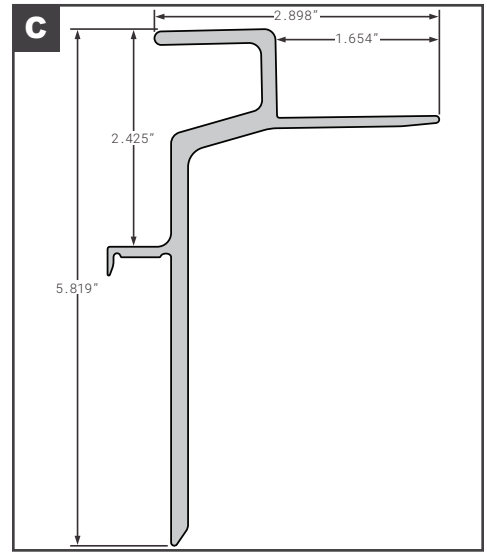
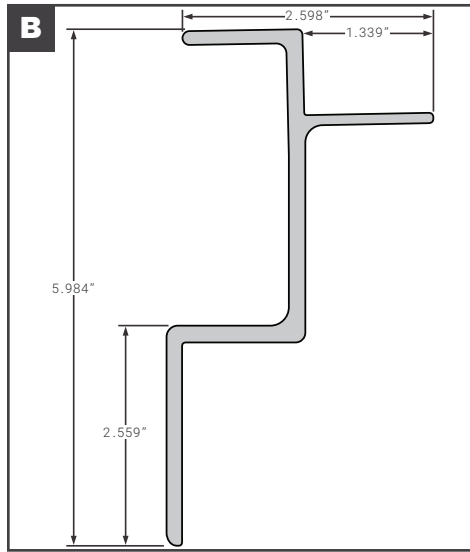
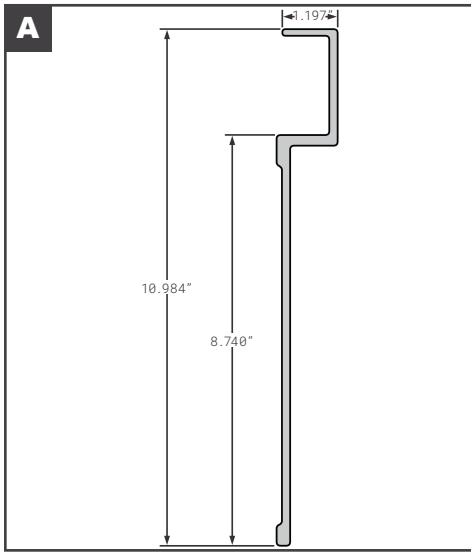
Rails

Side Top Rails

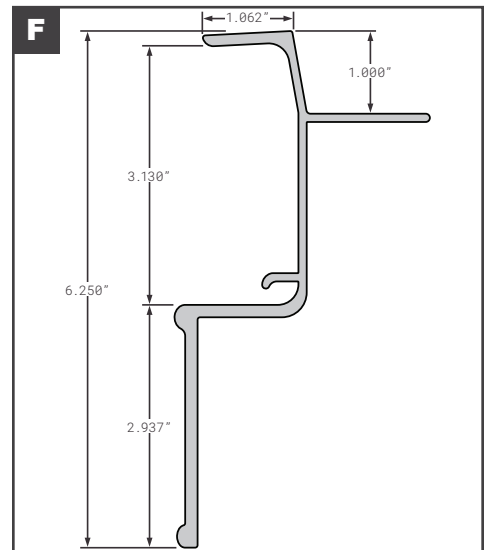
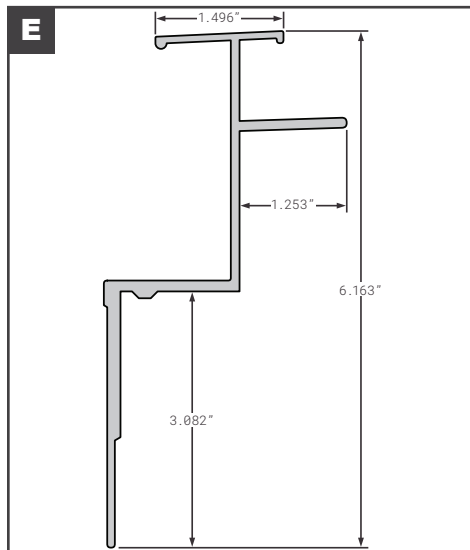
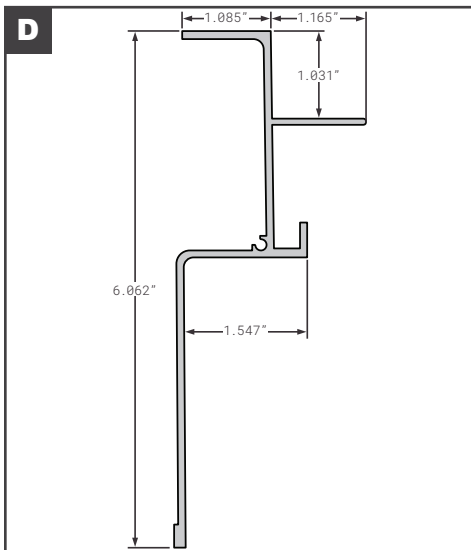


	Part No.	Description	Replaces	Length
A	HYU10015708	HYUNDAI ORIGINAL FREIGHTMAX	E01-007	626"
B	HYU10023185	HYUNDAI ORIGINAL HYCUBE	E01-015	626"
C	HYU10039709	HYUNDAI HYCUBE	E01-029	620"
D	HYU10049296	HYUNDAI ORIGINAL DROP-FRAME	E01-150	378.66"
E	HYU10052616	HYUNDAI COMPOSITE NO TOP COVER ANGLE	E01-047	626"
F	HYU10055278	HYUNDAI THERMOTECH	E01-181	622"

Side Top Rails

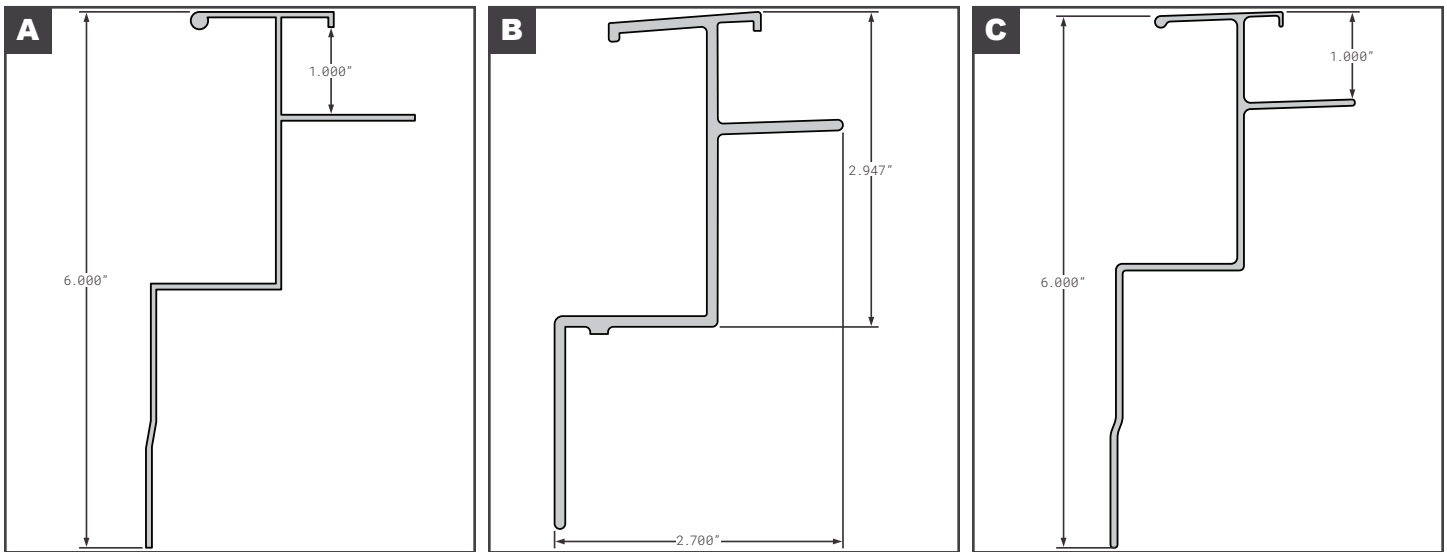


Side Top Rails

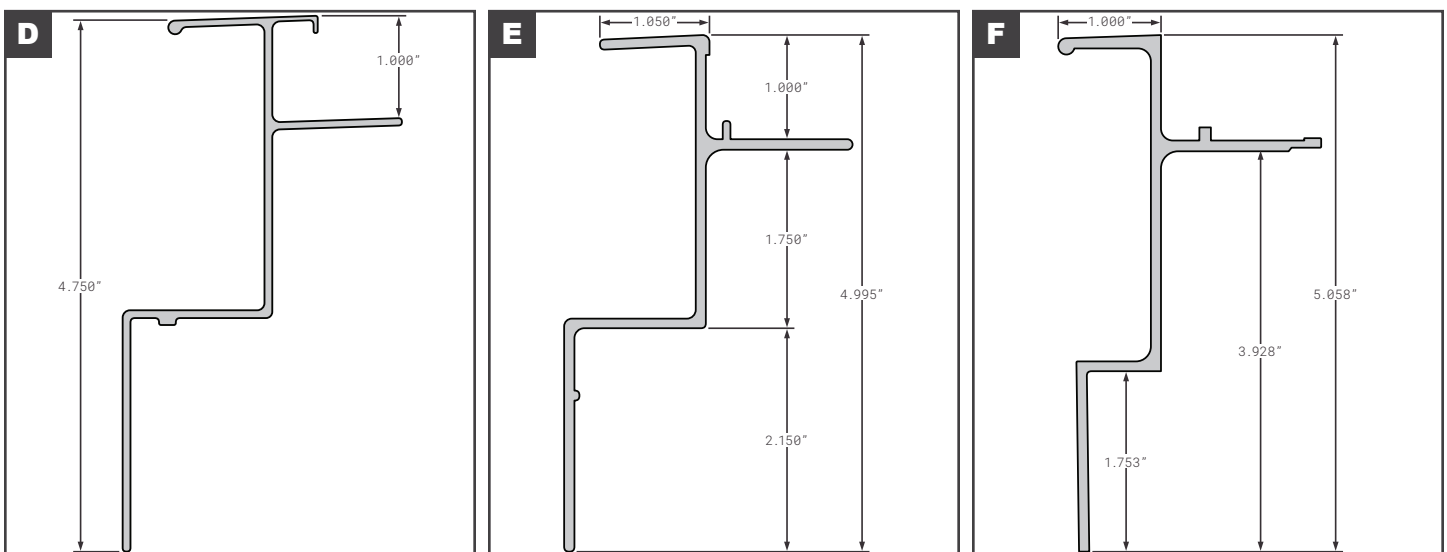


	Part No.	Description	Replaces	Length
A	HYU10055833	HYUNDAI THERMOTECH	E01-027	618.5"
B	HYU10060537	HYUNDAI ORIGINAL DROP-FRAME	E01-150	626"
C	HYU10060549	HYUNDAI COMPOSITE WITH TOP COVER ANGLE	E01-050	626"
D	FCB050-370	KIDRON STYLE REEFER	921176, K952421, 5002/28	336"
E	FCB050-460	MICKEY STYLE FOR 1" DEEP ROOF BOW	5299717, 6004/26	312"
F	FCB050-510-001	MONON STYLE, VANGUARD STYLE DRY FREIGHT	V01-150, EXT00002-621M, AA100290	624"

Side Top Rails

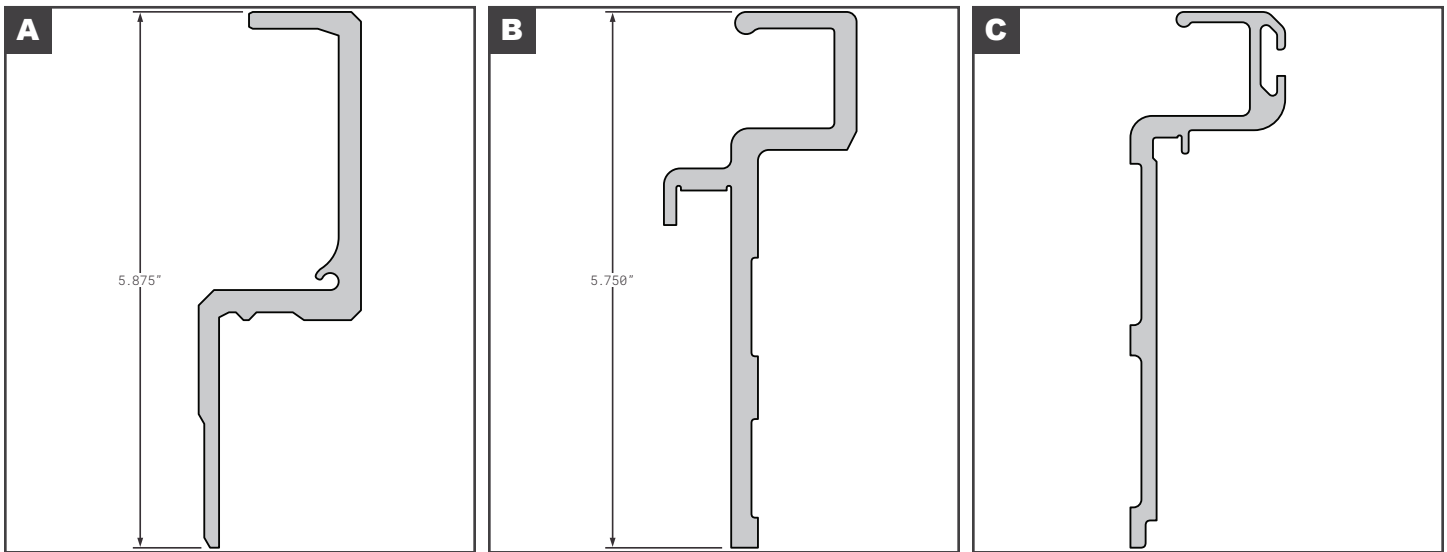


Side Top Rails

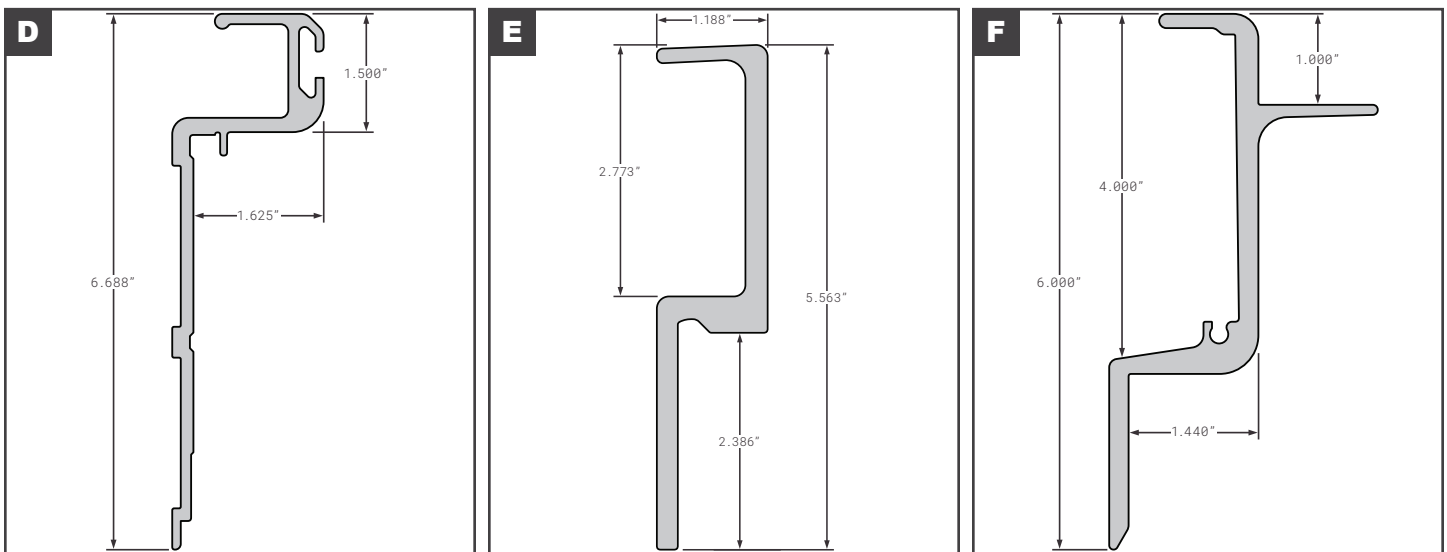


	Part No.	Description	Replaces	Length
A	FCB050-756	MORGAN STYLE N/S GVSD & GVSR	00015904	336"
	- Alternative Lengths	FCB050-756-001, FCB050-756-11	00015904	432", 132"
B	FCB050-758	MORGAN STYLE N/S GVFD & GVMD TOP RAIL	00033901	336"
C	MOR00015904	MORGAN NEW STYLE GVSD & GVSR	OEM	325"
D	MOR00033901	MORGAN NEW STYLE GVFD & GVMD	OEM	325"
E	FCB050-520	MULTIVANS STYLE DRY FREIGHT	EE2126, 1502/26	312"
F	FCB050-530	READING (TRG) STYLE DRY FREIGHT	74000925, 74000926, 8802/28	336"

Side Top Rails

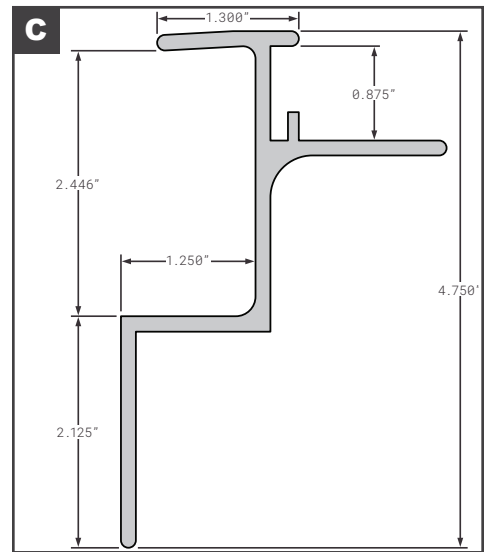
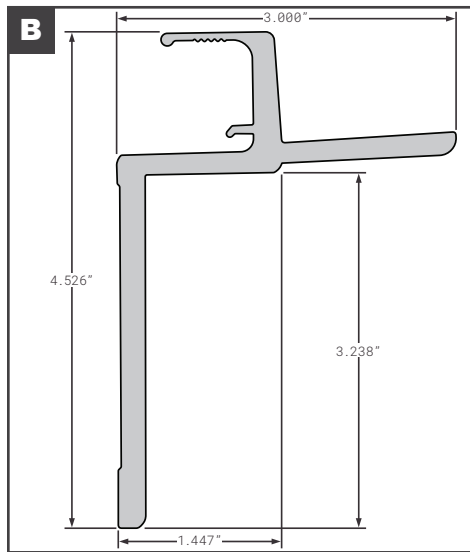
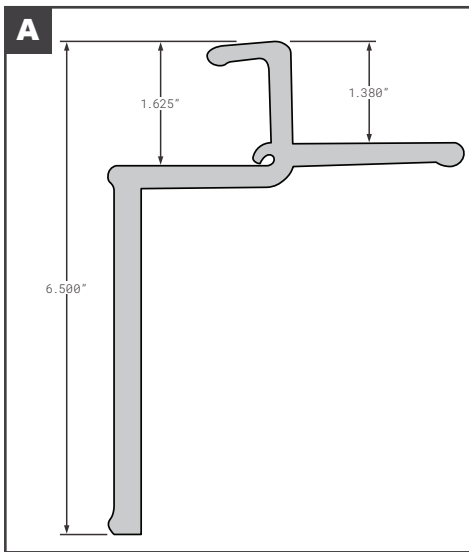


Side Top Rails



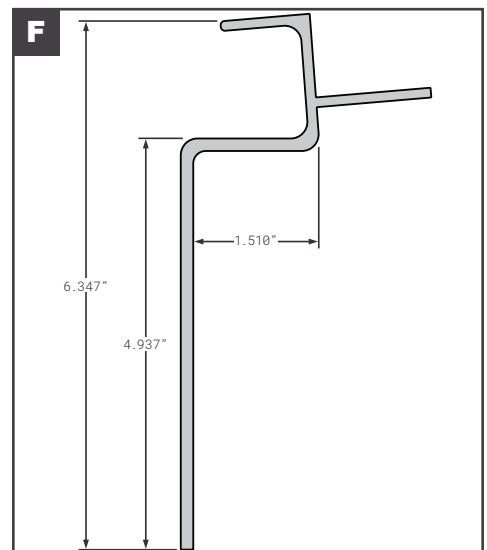
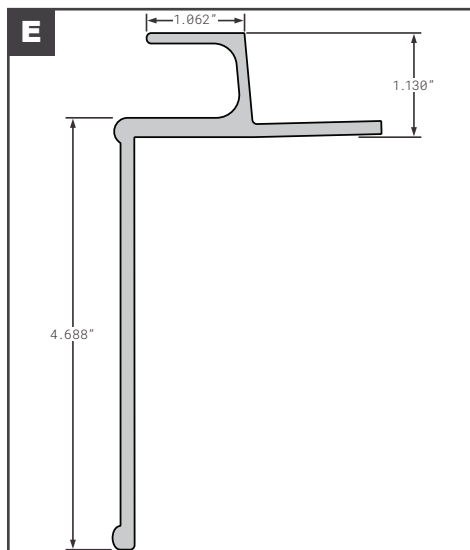
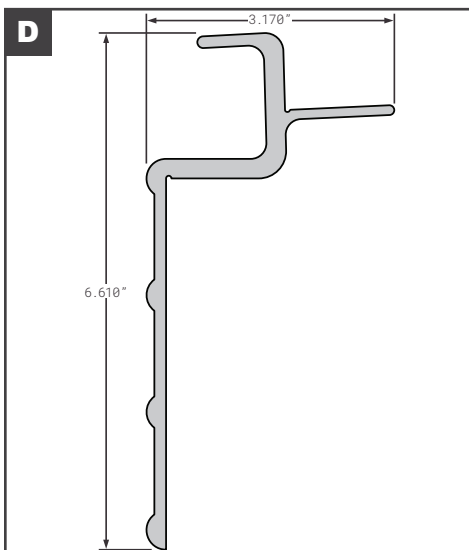
	Part No.	Description	Replaces	Length
A	SPS02-06388-62075	STOUGHTON ALUMINUM	OEM	620.75"
B	SPS02-20573-62350	STOUGHTON ALUMINUM CPV PV	OEM	623.5"
C	SPS02-30485-62450	STOUGHTON SHEET & POST	OEM	636"
D	SPS02-30486-62450	STOUGHTON ALUMINUM Z-PLATE	OEM	636"
E	STR03396	STRICK ALUMINUM	OEM	621.24"
F	90-4-1399-613	TRAILMOBILE "O-MODEL"	OEM	624"

Side Top Rails



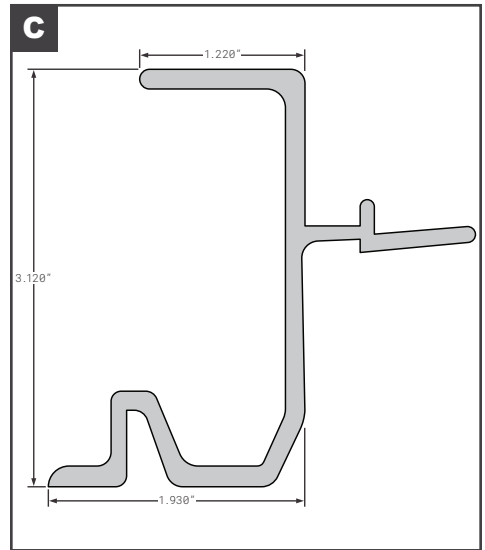
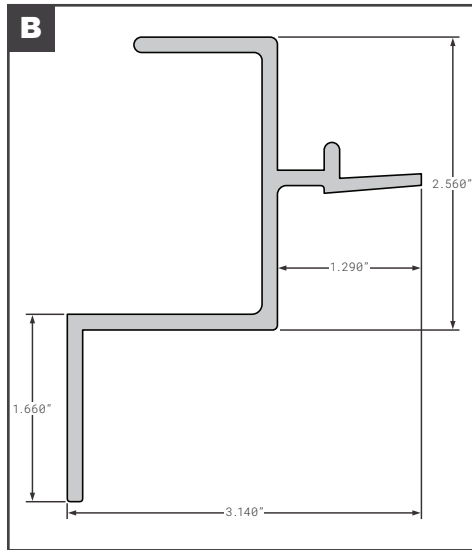
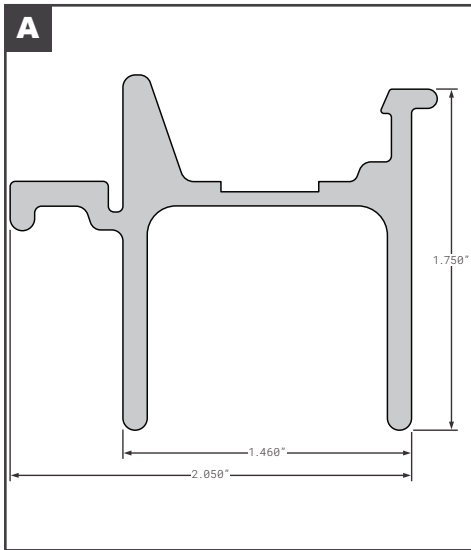
Rails

Side Top Rails

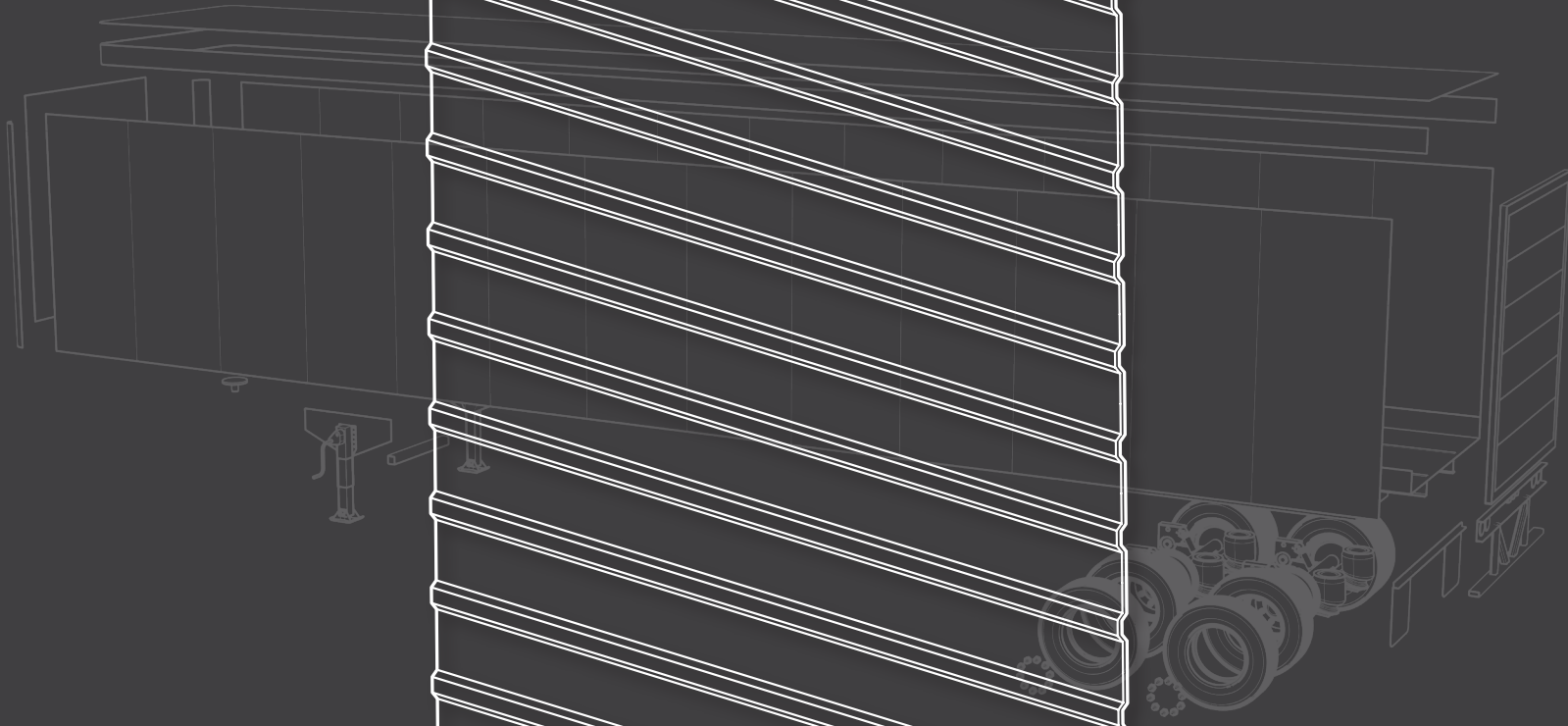
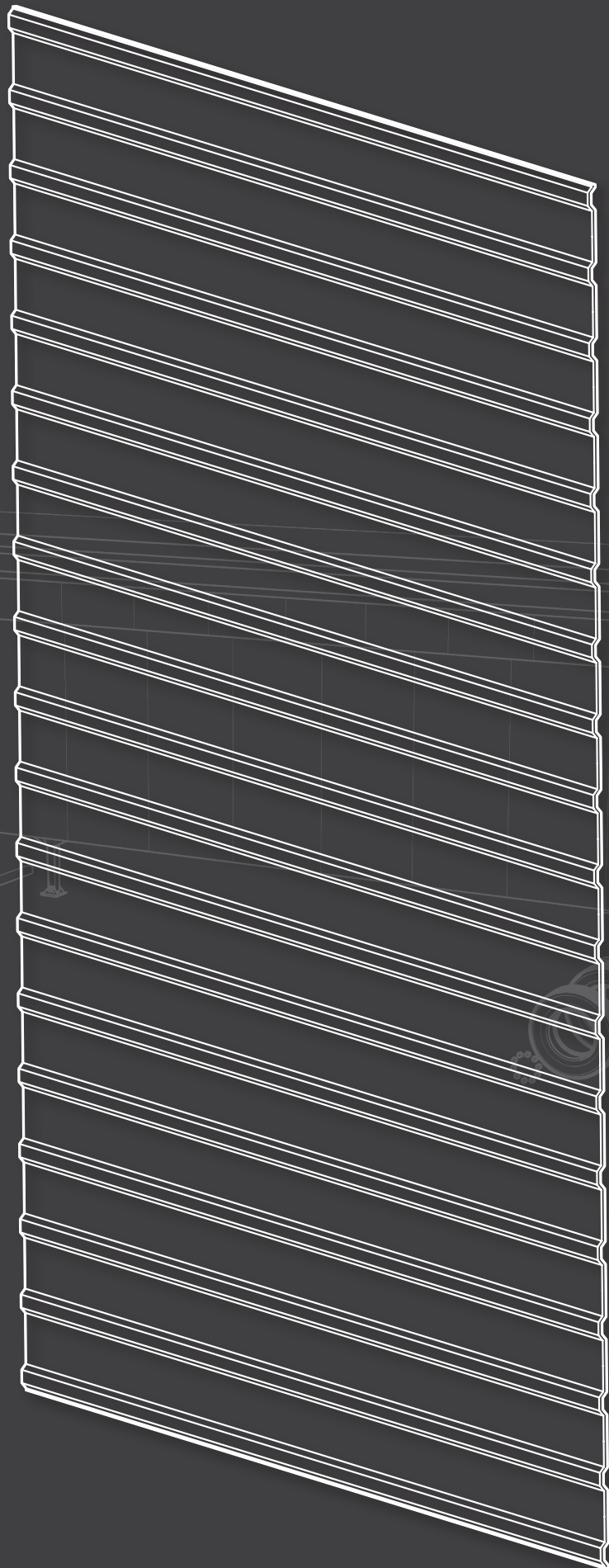


	Part No.	Description	Replaces	Length
A	FCB050-806	UTILITY STYLE N/S REEFER 3000R	01-6650-0-150	624"
	- Alternative Lengths	FCB050-806-11, FCB050-806-22, FCB050-806-30	01-6650-0-150	132", 264", 360"
B	FCB050-807	UTILITY STYLE N/S DRY VAN VS2DC/4000DX	01-6650-0-179	624"
	- Alternative Lengths	FCB050-807-11, FCB050-807-22, FCB050-807-30	01-6650-0-179	132", 264", 360"
C	FCB050-826	UTILIMASTER STYLE 2003 TO CURRENT	06000846, 3007/26	312"
D	FCB050-865	VANGUARD STYLE COMPOSITE PLATE HD	EXT00052-615.81, EXT00031-615-81, EXT00051-615.81	624"
E	FCB050-877	WABASH STYLE PLATE	WABE0076260	624"
	- Alternative Lengths	FCB050-877-11, FCB050-877-30	WABE0076260	132", 360"
F	FCB050-883	WABASH STYLE N/S COMPOSITE PLATE	WABE9246260	624"
	- Alternative Lengths	FCB050-883-11, FCB050-883-22, FCB050-883-30	WABE9246260	132", 264", 360"

Side Top Rails



	Part No.	Description	Replaces	Length
A	SUP002058210004	WABASH (FORMERLY SUPREME) VA LOWER	OEM	322"
B	SUP002076570012	WABASH (FORMERLY SUPREME) S SERIES & VF	OEM	317"
B	SUPEC783900	WABASH (FORMERLY SUPREME) S SERIES & VF	OEM	390"
C	SUP002080920002	WABASH (FORMERLY SUPREME) VA UPPER	OEM	322"





ROAD EQUIPMENT PARTS CENTER

Panels

ROAD EQUIPMENT PARTS CENTER



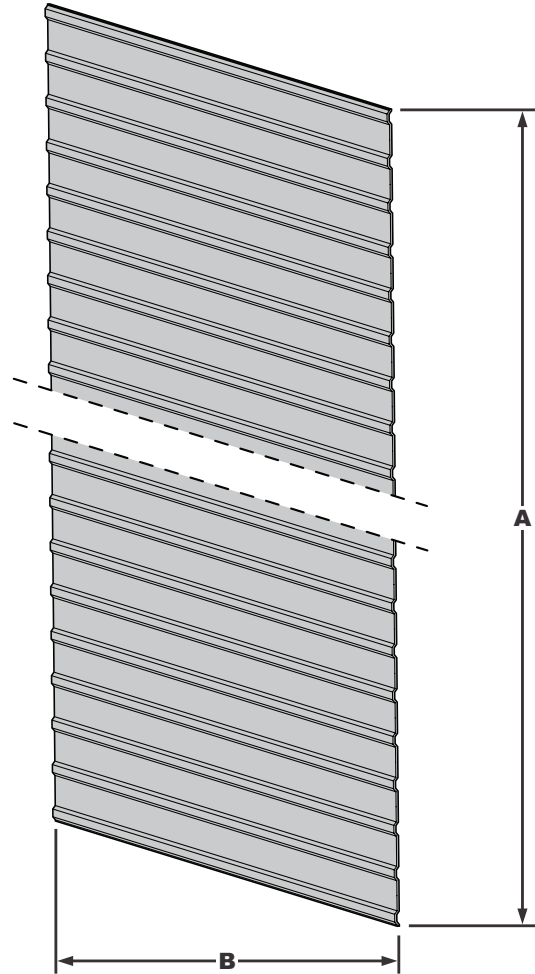
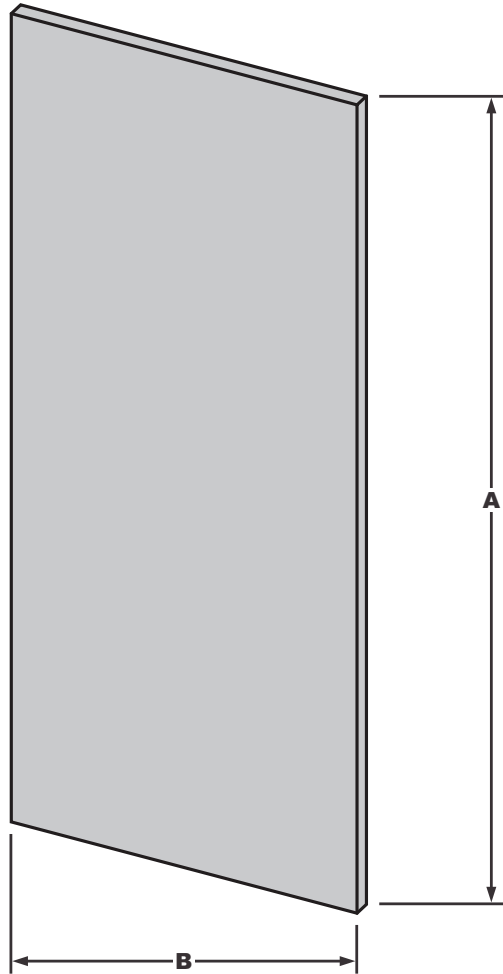
Composite Panels

Part No.	A	B	Description	Color	Replaces
FCB030-875	115.125"	49"	UNIVERSAL WITH LOGISTICS	White	PNL1-16, GDP41100288
FCB030-220	107"	47"	GREAT DANE STYLE WITH JOGGLES	White	GDP43911057, GDP43911688
FCB030-220-001	109"	23"	GREAT DANE STYLE WITH JOGGLES	White	GDP43911231001
HY10019499	107.72"	46.625"	HYUNDAI 6.5MM COMPOSITE MAIN PANEL	White	OEM
HY10025434	107.72"	46.27"	HYUNDAI 6.5MM COMPOSITE END PANEL	White	OEM
HY10036041	103.7"	44.76"	HYUNDAI NOSE PANEL	White	OEM
HY10042052	96.93"	46.625"	HYUNDAI MAIN	Schneider Orange	OEM
HY10042054	96.93"	46.27"	HYUNDAI END	Schneider Orange	OEM
HY10044433	123.7"	46.625"	HYUNDAI MAIN	White	OEM
HY10048598	113.7"	22.625"	HYUNDAI MAIN	White	OEM
HY10048813	107.72"	22.625"	HYUNDAI MAIN	White	OEM
HY10049253	107.72"	46.625"	HYUNDAI MAIN 6.5MM	White	OEM
HY10072908	107.68"	47.62"	HYUNDAI MAIN 6.5MM LIGHTWEIGHT	White	OEM
HY10072967	107.68"	43.78"	HYUNDAI END 6.5MM LIGHTWEIGHT	White	OEM
HY10073786	107.68"	47.62"	HYUNDAI MAIN 7.5MM LIGHTWEIGHT	White	OEM
MOR06998806	107"	48"	MORGAN SHIPLAP 6MM	Penske Yellow	OEM
MOR0699900	107"	48"	MORGAN SHIPLAP 6MM	White	OEM
FCB030-580	109"	47.375"	STOUGHTON STYLE WITH JOGGLES	White	01-25448-006-00
SPS01-22503-XX600	109"	47.38"	STOUGHTON G-BOND	White	OEM
SPS21-000075	106"	47.375"	STOUGHTON COMPOSITE PANEL .295" UNPUNCHED	White	OEM
SPS21-000166	109"	47.375"	STOUGHTON COMPOSITE PANEL .295" UNPUNCHED REPL 01-25448-006-00	White	OEM
FCB030-865	109"	46.88"	VANGUARD STYLE WITH LOGISTICS	White	SWP00316
FCB030-875-001	115.125"	23.125"	WABASH STYLE FLAT	White	PNL1-1
FCB030-876	112.75"	50"	WABASH STYLE SHIP LAP	White	PNL1-10
SUP01110516-06	101.625"	50"	WABASH TRUCK BODY (FORMERLY SUPREME) SHIPLAP 6MM	Penske Yellow	OEM
SUP0661035	101.625"	50"	WABASH TRUCK BODY (FORMERLY SUPREME) SHIPLAP 6MM	White	OEM
WAB01104752	117.325"	48"	WABASH SHIPLAP 6MM	White	OEM
WAB01105024	112.75"	48"	WABASH SHIPLAP 6MM	White	OEM
WAB01105099	112.75"	48"	WABASH LOGISTIC 7.5MM	White	OEM
WAB01107140	144.75"	22.188"	WABASH LOGISTIC 7.5MM	White	OEM
WAB01107141	48"	22.188"	WABASH LOGISTIC 7.5MM	White	OEM
WAB01107954	115"	48"	WABASH SHIPLAP 6MM	White	OEM
WAB01108099-05	109"	49"	WABASH SHIPLAP 7.5MM	Averitt Gray	OEM
WAB01108479	126"	49"	WABASH LOGISTIC 7.5MM	White	OEM
WAB01108577	96"	49"	WABASH LOGISTIC 7.5MM	Schneider Orange	OEM
WAB01108601	112.125"	49"	WABASH LOGISTIC 7.5MM	Averitt Gray	OEM
WAB01109842	115.125"	49"	WABASH LOGISTIC 7.5MM	White	OEM
WAB01110002-80	95.375"	49"	WABASH LOGISTIC 7.5MM	White	OEM
WAB01110183	49"	18"	WABASH LOGISTIC DROP 7.5MM	White	OEM
WAB01110288	49"	21"	WABASH LOGISTIC DROP 7.5MM	White	OEM
WAB01110315-01	96"	47.88"	WABASH SHIPLAP 7.5MM	White	OEM
WAB01110315-05	108"	47.88"	WABASH SHIPLAP 7.5MM	White	OEM



ROAD EQUIPMENT PARTS CENTER

Panels



Composite Panels

Part No.	A	B	Description	Color	Replaces
WAB01110315-06	109"	47.88"	WABASH SHIPLAP 7.5MM	White	OEM
WAB01110315-14	107.5"	47.88"	WABASH SHIPLAP 7.5MM	White	OEM
WAB01110425-19	100"	47.88"	WABASH SHIPLAP 6MM	White	OEM
WAB01110425-20	101"	47.88"	WABASH SHIPLAP 6MM	White	OEM
WAB01P00882	108.875"	15.125"	WABASH LOGISTIC BAY 7.5MM	White	OEM
WAB01P02462-04	108"	49"	WABASH LOGISTIC TAB BAY 7.5MM	White	OEM
WAB01P02609-11	95.38"	23.125"	WABASH SQUARE BAY 7.5MM	White	OEM
WAB01P03282	108"	49"	WABASH LOGISTIC TAB BAY 7.5MM	Averitt Gray	OEM
WAB01P03501	101.38"	47.88"	WABASH SHIPLAP 6MM	White	OEM
WAB01P03618	95.38"	49"	WABASH LOGISTIC BAY 6MM	White	OEM
WAB01P03763	109"	24"	WABASH LOGISTIC BAY 6MM	White	OEM
WAB01P04162	109"	49"	WABASH LOGISTIC BAY JOGGLED 6MM	White	OEM
WAB01P04227-05	109"	46.06"	WABASH SHIPLAP NOSE 7.5MM	Gray	OEM
WAB01P04275	95.38"	49"	WABASH LOGISTIC CURBSIDE FRONT 6MM	Glossy White	OEM
WAB01P04276	95.38"	49"	WABASH LOGISTIC BAY 6MM	Glossy White	OEM
WABA01P02817-06	110"	15.125"	WABASH LOGISTIC BAY 7.5MM	White	OEM

ROAD EQUIPMENT PARTS CENTER



.040 & .050 Aluminum

Part No.	A	B	Description	Color	Replaces
FCB030-919-001	96"	49"	PPW ONE SIDE, MFA OPPOSITE WITH PVC — .040 ALUMINUM	White	--
FCB030-919-002	110"	49"	PPW ONE SIDE, MFA OPPOSITE WITH PVC — .040 ALUMINUM	White	--
050X49X110BLK-PVC	110"	49"	BLACK ONE SIDE, MFA OPPOSITE WITH PVC — .050 ALUMINUM	Black	--
050X49X110PRBLUE	110"	49"	AMAZON BLUE ONE SIDE, MFA OPPOSITE WITH PVC — .050 ALUMINUM	Blue	HY3110DA027X27, 20114420
050X49X110WH	110"	49"	PPW ONE SIDE, MFA OPPOSITE WITH PVC — .050 ALUMINUM	White	--
050X49X110WHLP	110"	49"	PPW ONE SIDE, MFA OPPOSITE NO PVC — .050 ALUMINUM	White	--
050X49X120WH	120"	49"	PPW ONE SIDE, MFA OPPOSITE WITH PVC — .050 ALUMINUM	White	--
050X49X144WH	144"	49"	PPW ONE SIDE, MFA OPPOSITE WITH PVC — .050 ALUMINUM	White	--
FCB030-214	120"	49"	ABF GRAY ONE SIDE, MFA OPPOSITE WITH PVC — .050 ALUMINUM	Gray	--
HY3110DA027X27	110"	49"	HYUNDAI AMAZON™ PRIME BLUE MFA OPPOSITE — .050 ALUMINUM	Blue	3110-DA027-X27, 20114420
SPS01-09904-XXX15	110"	49"	STOUGHTON PANEL UPS GRAY - .050 ALUMINUM	Gray	OEM

Corrugated Panels

Part No.	A	B	Description	Color	Corrg.	Replaces
FCB030-200	110"	49"	GREAT DANE STYLE	White	15	11304
FCB030-205	110"	49"	GREAT DANE STYLE	White	16	11305
HY3110-DA461-X02	101.8"	49"	HYUNDAI CORRUGATED SIDE PANEL .040"	White	16	OEM
FCB030-800	110"	49"	UTILITY STYLE	White	15	03-6001-0-099
FCB030-879	110"	49"	WABASH STYLE	White	15	01C00059

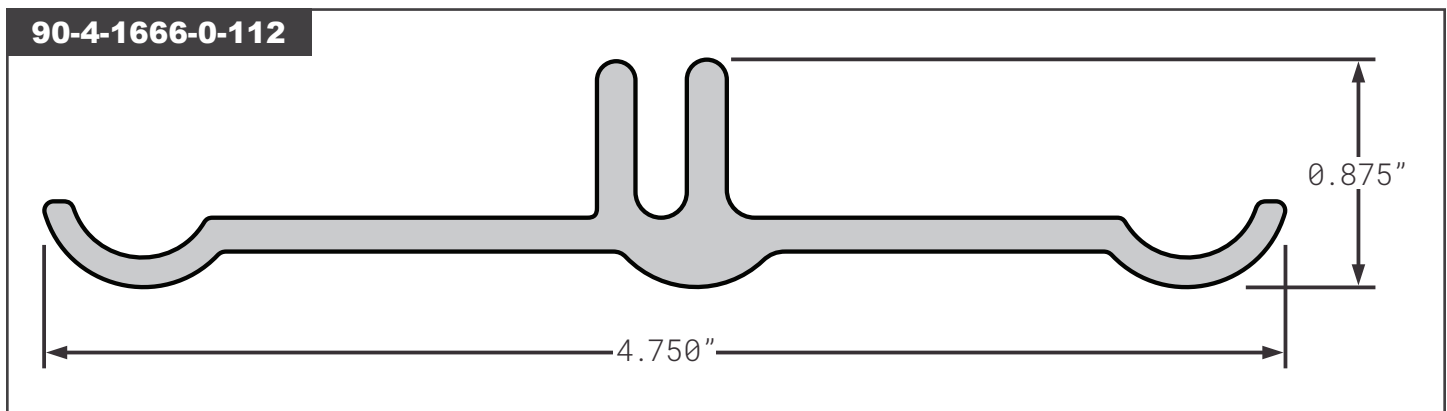
Stainless Steel Panels

Part No.	A	B	Description	Color	Replaces
FCB030-925	120"	48"	20 GAUGE MIRROR FINISH WITH PVC	--	--

FRP Panels

Part No.	A	B	Description	Color	Replaces
7/8X48X120	120"	48"	48" X 120" BCX PLYWOOD CORE WHITE PEBBLE PANEL	White	--
90-4-1666-0-112	--	--	JOINT SPLICE	--	035-910

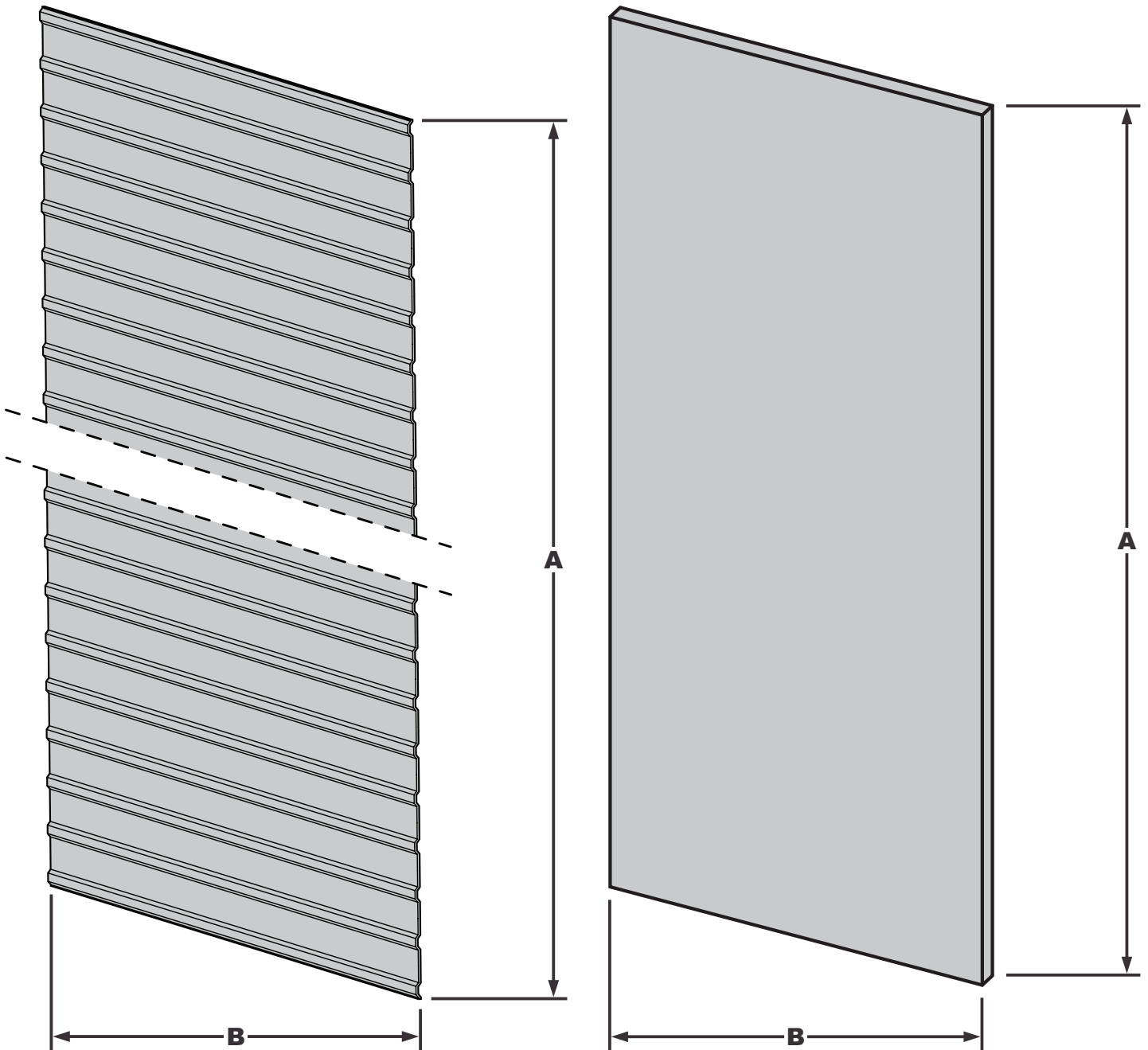
90-4-1666-0-112

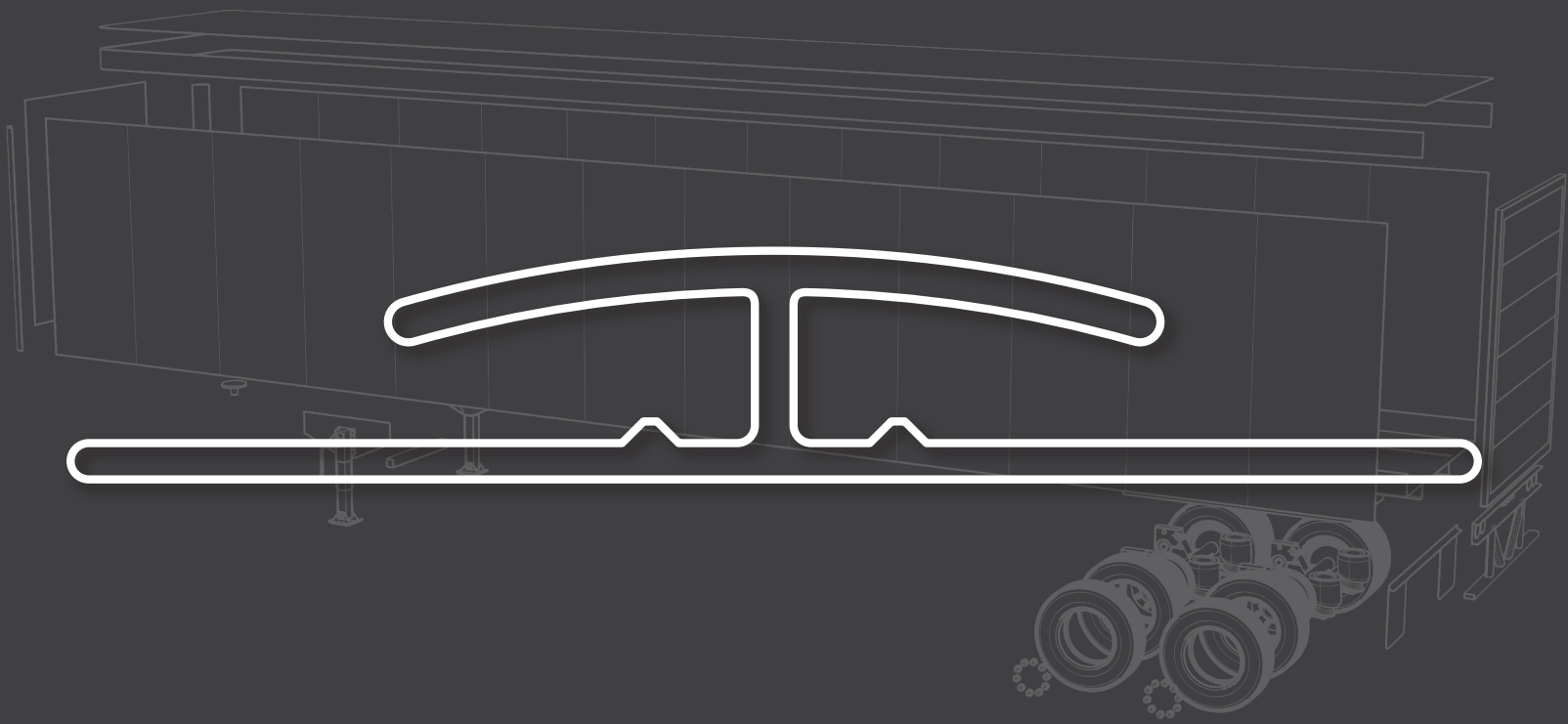


Corrugated Panels

Panels

Panels







ROAD EQUIPMENT
PARTS CENTER

Inner Wall Liner
& Scuff

ROAD EQUIPMENT PARTS CENTER



Aluminum and Steel Scuffs

Part No.	Description	Thickness	Width	Length
1014342-39	CORRUGATED GALVANIZED STEEL SCUFF	18GA	6.5"	468"
1014342-52	CORRUGATED GALVANIZED STEEL SCUFF	18GA	6.5"	624"
1014343-52	CORRUGATED GALVANIZED STEEL SCUFF	18GA	12"	624"
1014344-52	CORRUGATED GALVANIZED STEEL SCUFF	18GA	18"	624"
FCB960-101-624	ALUMINUM EXTRUDED SCUFF UNIVERSAL FIT	--	12.25"	624"

Hardwood Wall Scuff and Plywoods

Part No.	Description	Thickness	Width	Length
1011012	PLYWOOD BC Grade	6mm	48"	96"
1011013	PLYWOOD LINER 76 PIECES / BUNK	0.25"	--	96"
3/4X96	SCUFF WOOD HARDWOODS	0.75"	12"	96"
3/4X624	SCUFF WOOD HARDWOODS	0.75"	12"	624"

Plastic Poly Scuffs

Part No.	Description	Thickness	Width	Length
1014341	SCUFF PLASTIC BLACK NOSE SCUFF (ORDER INCREMENTS OF 2)	0.625"	12"	96"
1014345	SCUFF PLASTIC BLACK W/BEVEL TOP (ORDER INCREMENTS OF 2)	0.625"	12"	324"
1014348	SCUFF PLASTIC BLACK W/BEVEL TOP (ORDER INCREMENTS OF 2)	0.625"	12"	624"
1014349	SCUFF PLASTIC WHITE W/BEVEL TOP (ORDER INCREMENTS OF 2)	0.625"	12"	624"
1014356	SCUFF PLASTIC BLACK W/BEVEL 1 PER ROLL 2 PER SKID	0.625"	18"	624"
1014357	SCUFF PLASTIC WHITE W/BEVEL 1 PER ROLL 2 PER SKID	0.625"	18"	624"
5/8X24X52-BLK	SCUFF PLASTIC BLACK 1 PER ROLL 2 PER SKID	--	24"	624"
5/8X24X52-WH	SCUFF PLASTIC WHITE 1 PER ROLL 2 PER SKID	--	24"	624"

Apitong Tie Slats

Part No.	Description	Thickness	Width	Length
AP3/4X2-5/8X16	APITONG TIE SLAT	.75"	2.625"	16"



ROAD EQUIPMENT PARTS CENTER

Fiberglass Scuff - Wall Liners

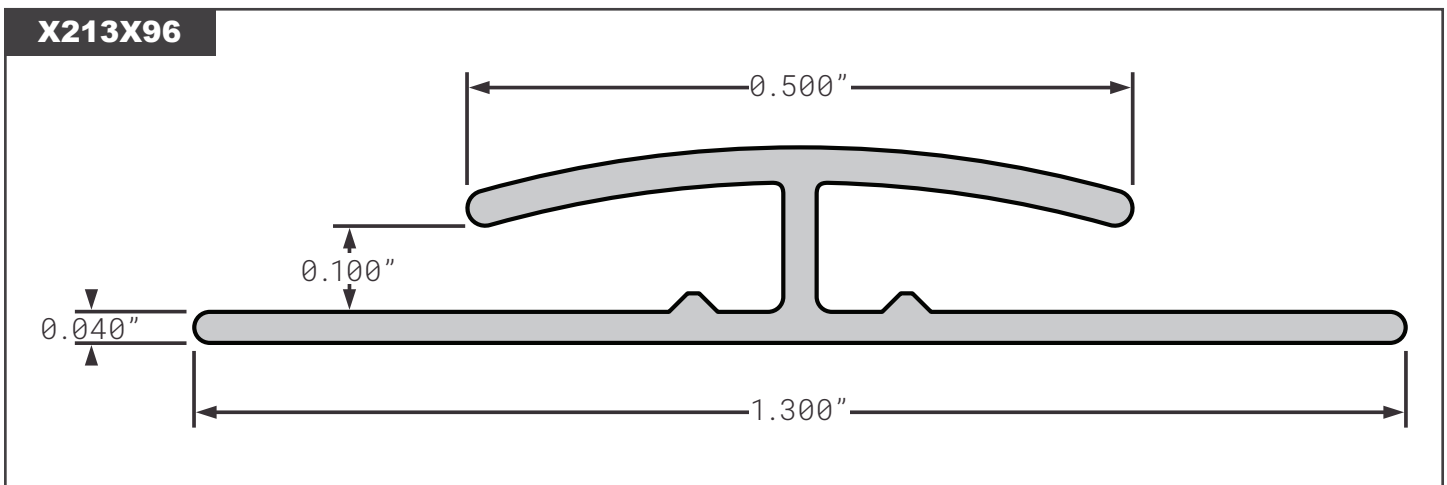
Part No.	Description	Thickness	Width	Length
NL090X4X8	SCUFF LINER FIBERGLASS	.090"	48"	96"
NL090X4X9	SCUFF LINER FIBERGLASS	.090"	48"	108"
NL090X12X53	SCUFF LINER FIBERGLASS	.090"	12"	636"
NL090X16X53	SCUFF LINER FIBERGLASS	.090"	16"	636"
NL090X24X53	SCUFF LINER FIBERGLASS	.090"	24"	636"
NL090X48X53	SCUFF LINER FIBERGLASS	.090"	48"	636"
NL090X96X53	WALL LINER FIBERGLASS	.090"	96"	636"
NL090X101X53	WALL LINER FIBERGLASS	.090"	101"	636"
NL120X4X8	SCUFF LINER FIBERGLASS HEAVY DUTY	.120"	48"	96"
NL120X16X53	SCUFF LINER FIBERGLASS HEAVY DUTY	.120"	16"	636"
NL24X24X48	SCUFF LINER MONSTER SCUFF HEAVY DUTY	.240"	24"	48"
X213X96	DIVIDER STRIP LONG PLASTIC	--	--	120"

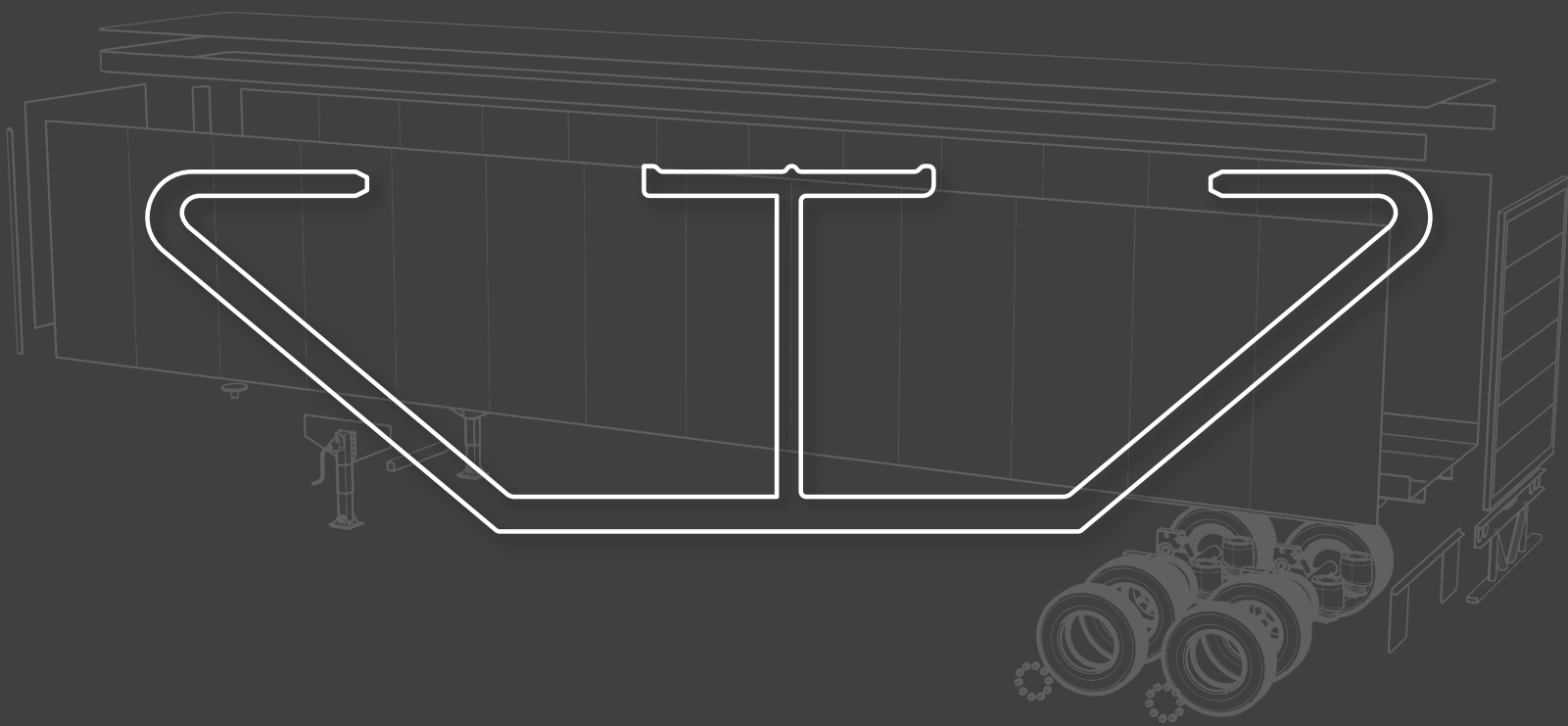
Liner & Scuff

Liner Panels

Part No.	Description	Thickness	Width	Length
HY10030205	HYUNDAI PVC WALL LINER	--	6.5"	114.56"
HY10030206	HYUNDAI PVC WALL LINER	--	10.5"	114.56"
SPS04-23723-09800	STOUGHTON LINER DYMONDPLY III	--	10.44"	98"
SPS04-23724-09800	STOUGHTON LINER DYMONDPLY III	--	18.44"	98"
STR62150	STRICK LINER SNAP IN PLASTIC HPDE TF1	.63"	13.98"	98"
STR62151	STRICK LINER SNAP IN PLASTIC HPDE TF1	.63"	10.13"	98"

X213X96







ROAD EQUIPMENT PARTS CENTER

Roofing

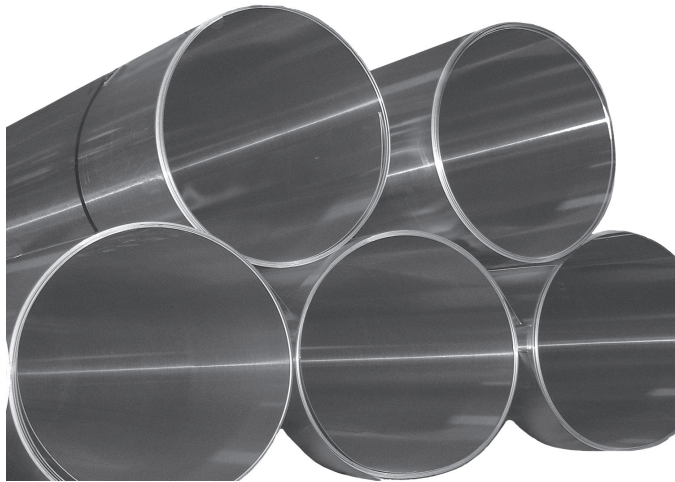
ROAD EQUIPMENT PARTS CENTER



Aluminum

Translucent

Roofing



Aluminum Roofing

Part No.	Description	Replaces	Length
040X103	ROOF COIL .040 24" ID MASTER COIL-WEIGHT APPROX 4000-4500#	UNIVERSAL	--
040X103FT	ROOF COIL .040 X 103" SOLD PER FOOT	UNIVERSAL	--
1164512	ROOF KIT .040 X 103" WEIGHT APPROX 139.08	UNIVERSAL	348"
1164517	ROOF KIT .040 X 103" WEIGHT APPROX 258.98	UNIVERSAL	648"

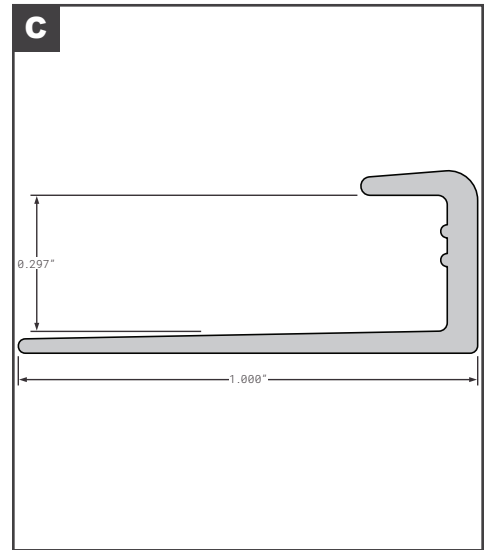
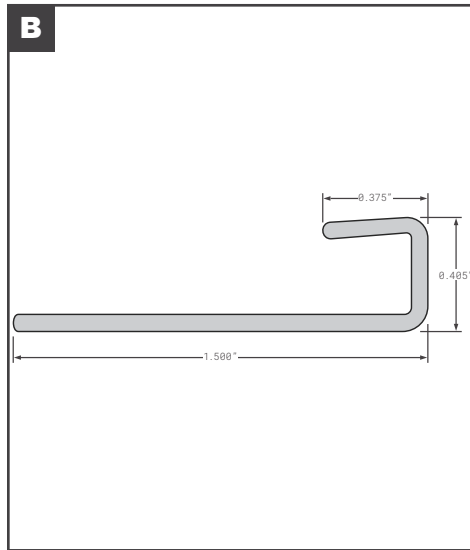
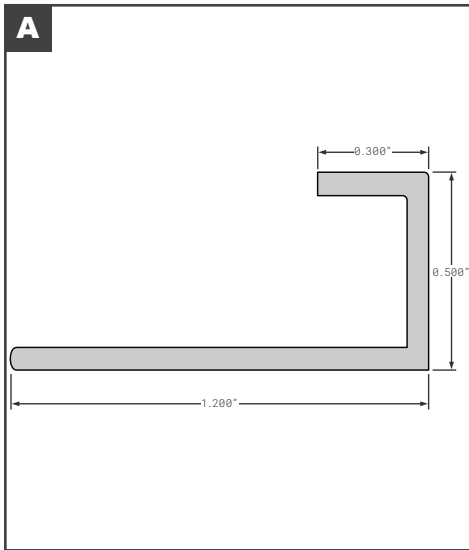
Translucent Roofing

Part No.	Description	Replaces	Length
1165075	ROOF TRANSLUCENT 075X103X55	UNIVERSAL	660"
1164250-MC18	ROOF TRANSLUCENT 075X103 MASTER COIL = 250 18" CENTER DIAMETER	UNIVERSAL	250'
1164250-MC24	ROOF TRANSLUCENT .075X103" MASTER COIL=250 24" CENTER DIAMETER	UNIVERSAL	250'
1164500-MC	ROOF TRANSLUCENT 075X103X500 MASTER COIL = 500	UNIVERSAL	500'
NL075X102.5X54	ROOF TRANSLUCENT 075X102.5X54	UNIVERSAL	648"
NL075X102MC	ROOF TRANSLUCENT 075X102 MASTER COIL MASTER COIL =500'	UNIVERSAL	500'
NL075X102X24	ROOF TRANSLUCENT 075X102X24	UNIVERSAL	288"
NL075X102X26	ROOF TRANSLUCENT 075X102X26	UNIVERSAL	312"
NL075X102X29	ROOF TRANSLUCENT 075X102X29	UNIVERSAL	348"
NL075X102X54	ROOF TRANSLUCENT 075X102X54	UNIVERSAL	648"

Translucent Roofing XLR/ETR

Part No.	Description	Replaces	Length
1164531	ROOF TRANSLUCENT 075X102X29	UNIVERSAL	348"
1164532	ROOF TRANSLUCENT 075X102X54	UNIVERSAL	648"
1164535	ROOF TRANSLUCENT 075 X 102.5 X 54	UNIVERSAL	648"
1165100-TR	ROOF TRANSLUCENT 075X103X55	UNIVERSAL	660"
NL075X102X500ETR	ROOF TRANSLUCENT MASTER COIL	UNIVERSAL	500'

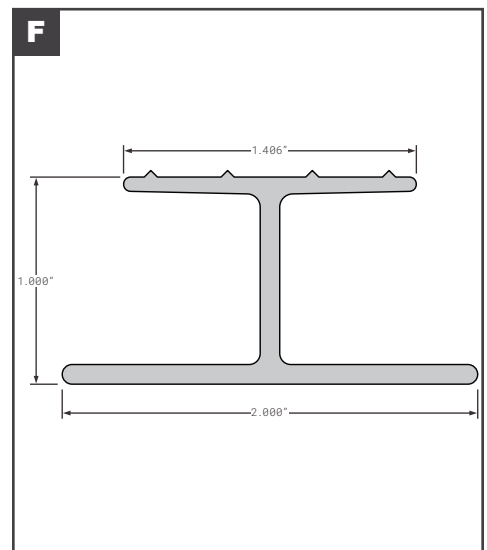
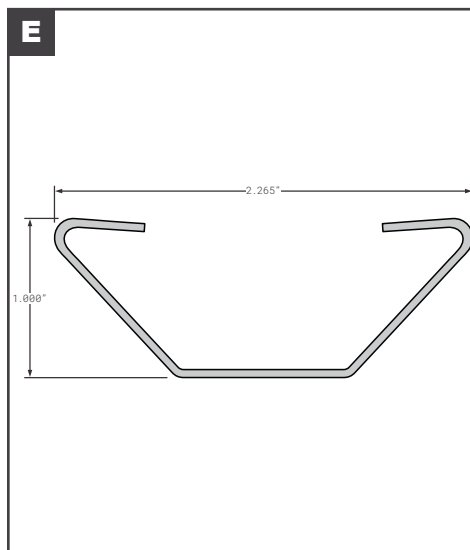
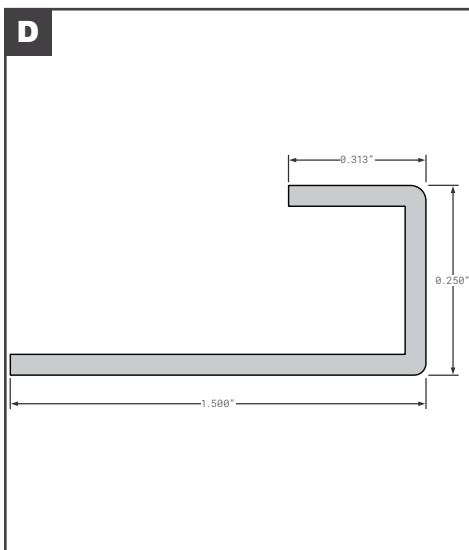
J Moldings



Roofing

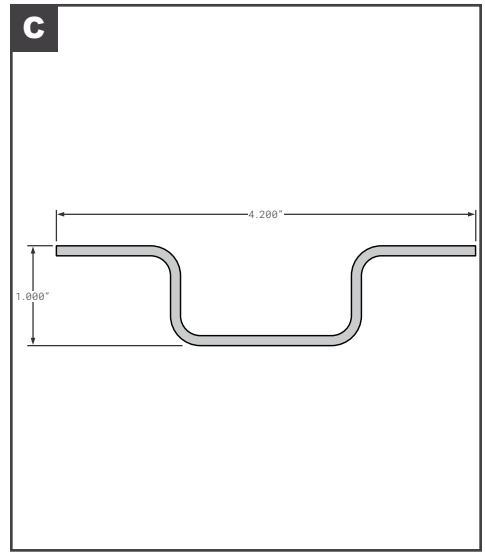
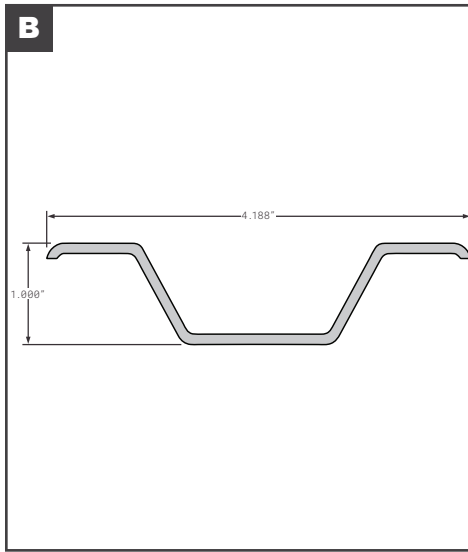
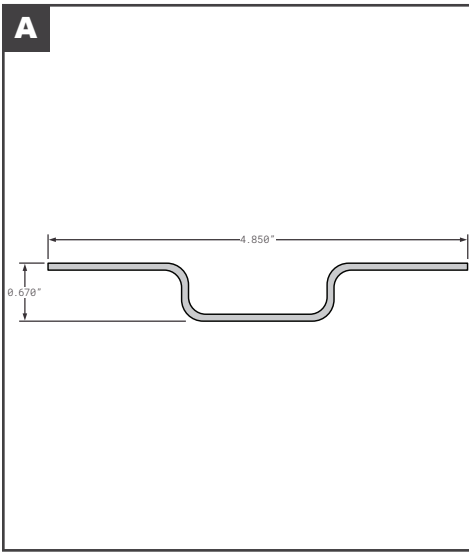
J Moldings

Roof Bows

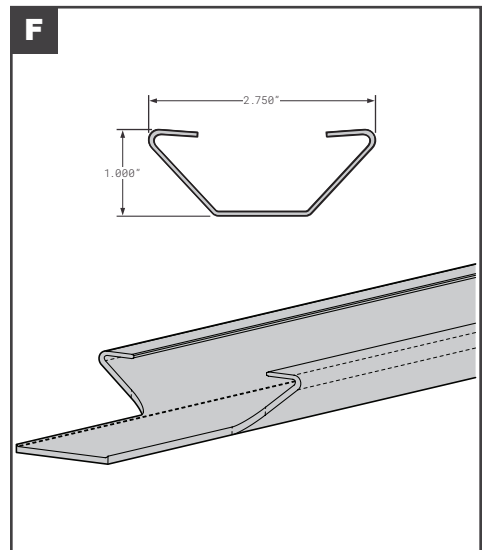
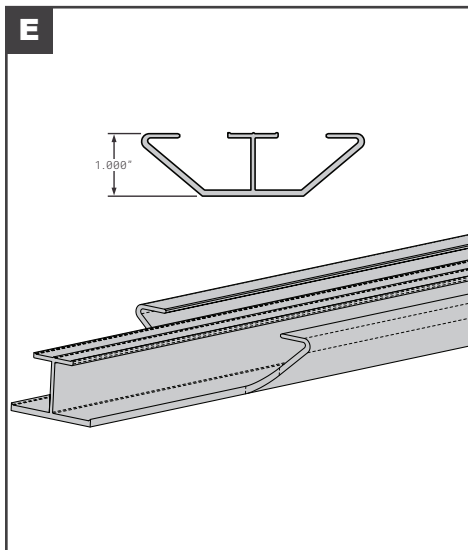
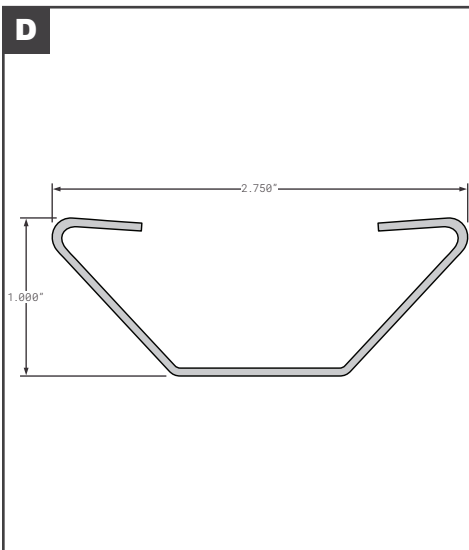


	Part No.	Description	Replaces	Length
A	X6138X120	1/2" SIDE CORRUGATION CLOSURE AND ROOF	UNIVERSAL	120"
B	X6148X120	1/4" MOLDING	UNIVERSAL	120"
B	X6148X144	1/4" MOLDING	UNIVERSAL	144"
C	MOR003951	MORGAN ALUMINUM	OEM	96"
D	STR01803	STRICK 10 FT PC AA83C005512A1	OEM	120"
E	1011039	GALVANIZED STEEL ANTI-SNAG	UNIVERSAL	99"
F	FCB055-151	FRUEHAUF STYLE ALUMINUM H.D. I-BEAM	RCF-4048-1	98.5"

Roof Bows

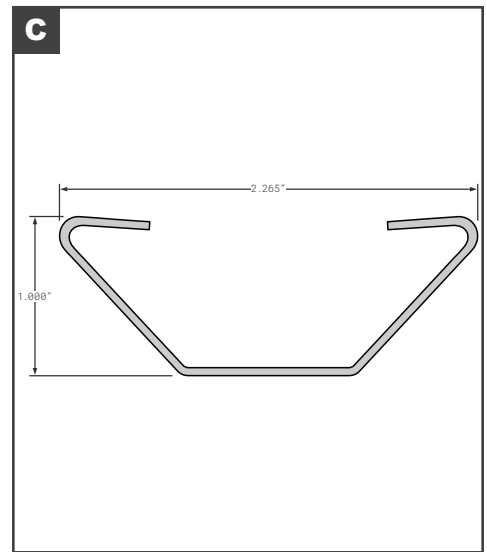
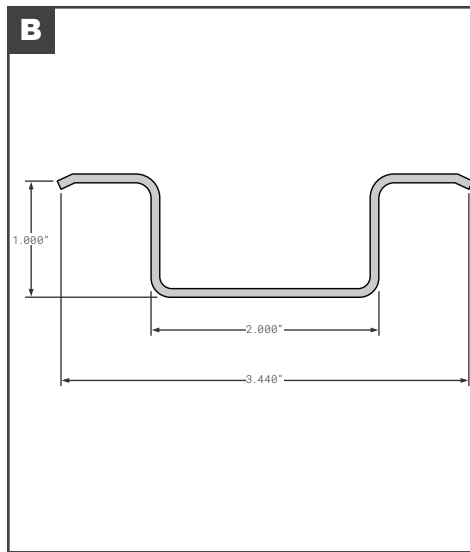
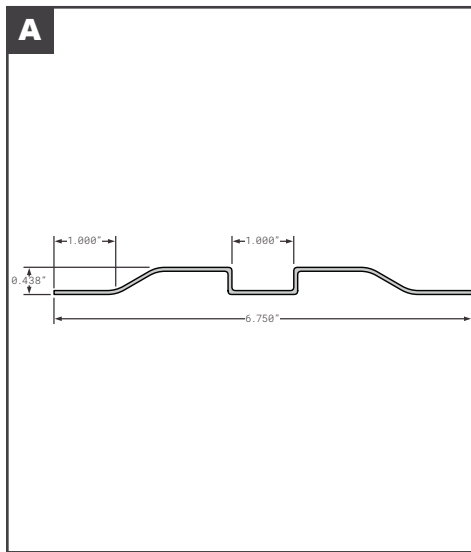


Roof Bows

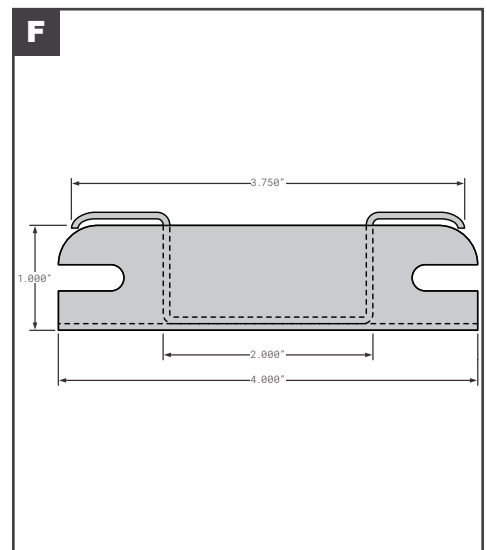
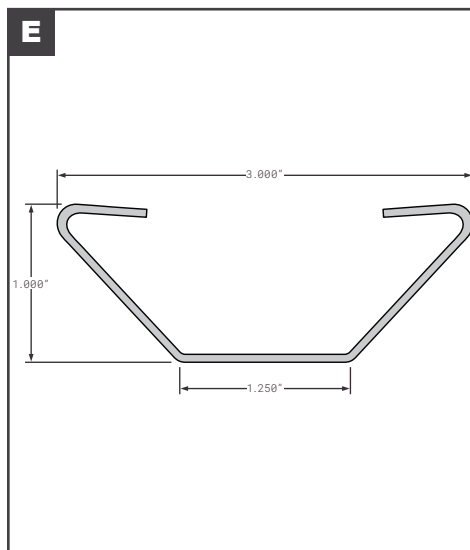
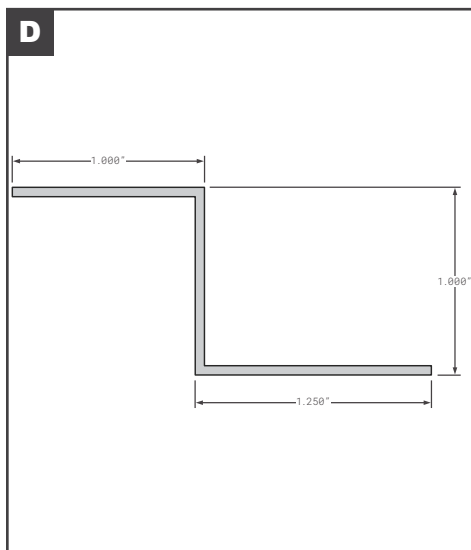


	Part No.	Description	Replaces	Length
A	FCB055-200	GREAT DANE STYLE ALUMINUM HAT	08581	96"
A	FCB055-200-001	GREAT DANE STYLE ALUMINUM HAT	14113	102"
B	FCB055-202	GREAT DANE STYLE P-VAN AND COMPOSITE	69102526, 41203019	98.63"
C	FCB055-203	GREAT DANE STYLE GALVANIZED STEEL HAT STYLE	41203004	98.12"
C	FCB055-204	GREAT DANE STYLE 2018 OR NEWER COMPOSITE EXTRUDED ALUMINUM MILL FINISH	41203006	98.12"
D	HY10035596	HYUNDAI NOTCHED ROOF BOW	OEM	99.3"
E	HY5100DA001X02	HYUNDAI ALUMINUM ROOF BOW	OEM	--
F	HYU10020735	HYUNDAI WITH NOTCHES	OEM	99"

Roof Bows

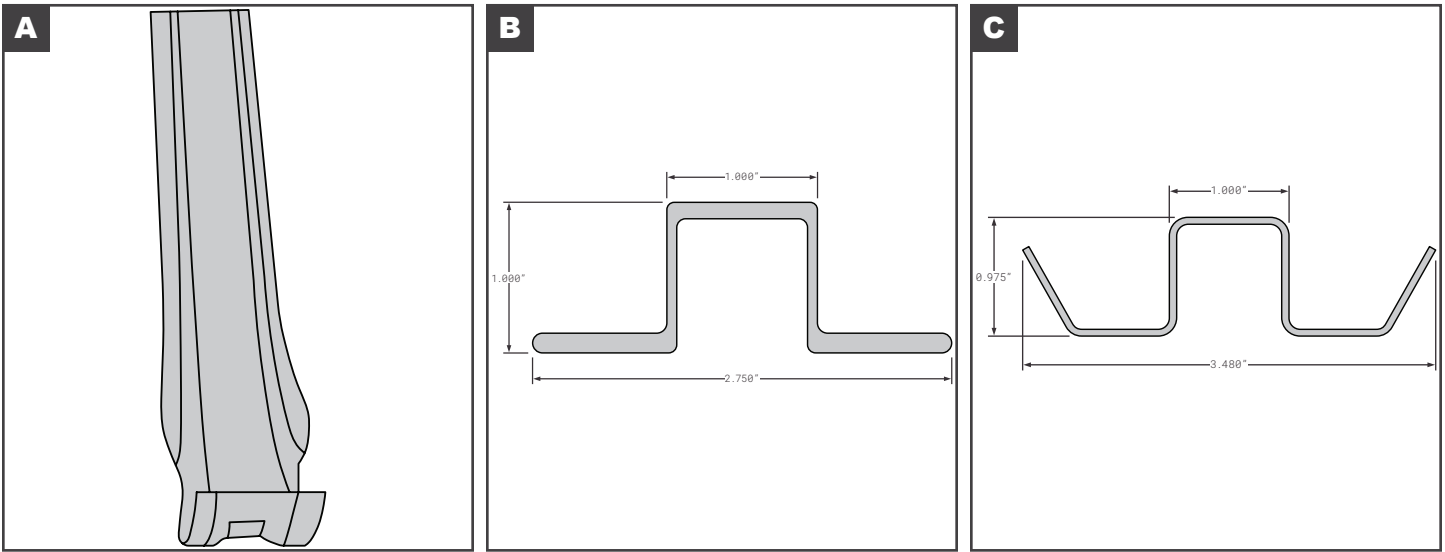


Roof Bows

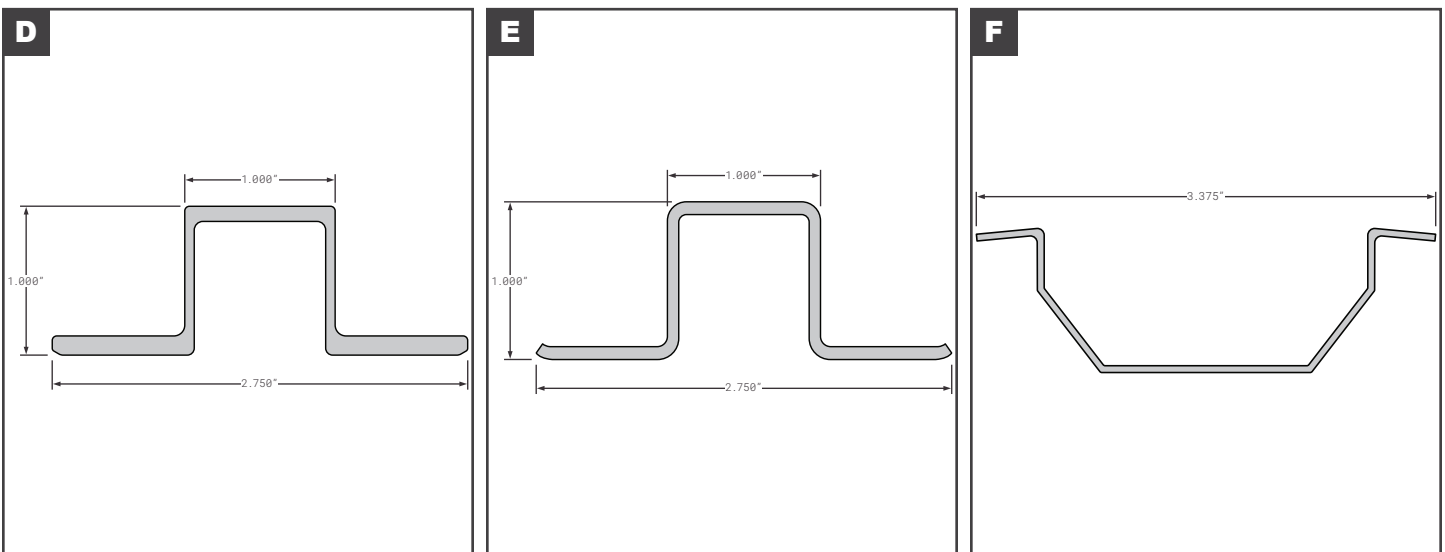


	Part No.	Description	Replaces	Length
A	HYU10026068	HYUNDAI ROOF BOW	OEM	101.57"
B	FCB055-400	LUFKIN STYLE GALVANIZED STEEL HAT STYLE	E7072822	98.88"
C	FCB055-461	MICKEY STYLE INTERMEDIATE BOW	6109980, 6150332	97.5"
C	MOR0190330	MORGAN GALVANIZED STEEL SINGLE HOLE	OEM	92"
C	FCB055-754	MORGAN STYLE GALVANIZED STEEL	019033, 0190330	92"
C	FCB055-756	MORGAN STYLE GALVANIZED STEEL	019034, 0190340	98"
C	MOR0190340	MORGAN GALVANIZED STEEL SINGLE HOLE	OEM	98"
D	FCB055-759	MORGAN STYLE INTERMEDIATE BOW ALUMINUM ZX GVSR	141863	98"
E	FCB055-530	READING (TRG) STYLE INTERMEDIATE BOW AMERICAS BODY CO	4000042	99.5"
F	SPS04-28321-00100	STOUGHTON GALVANIZED STEEL ASSEMBLY NEW STYLE W/CLIPS	OEM	98.75"

Roof Bows

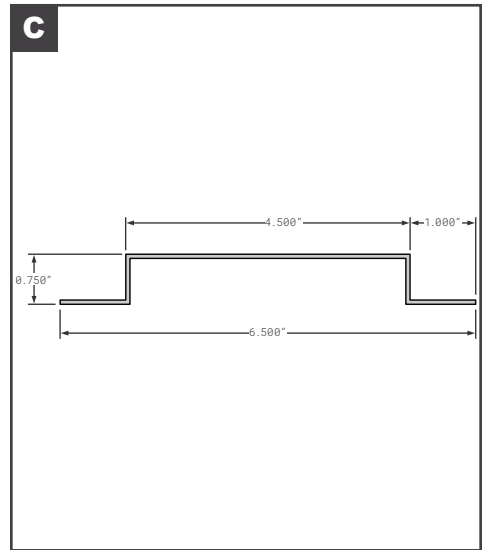
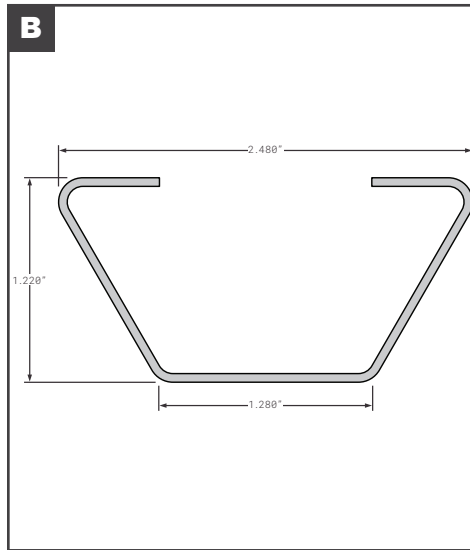
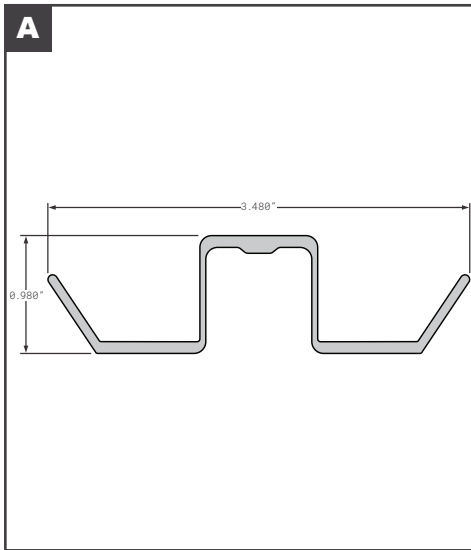


Roof Bows

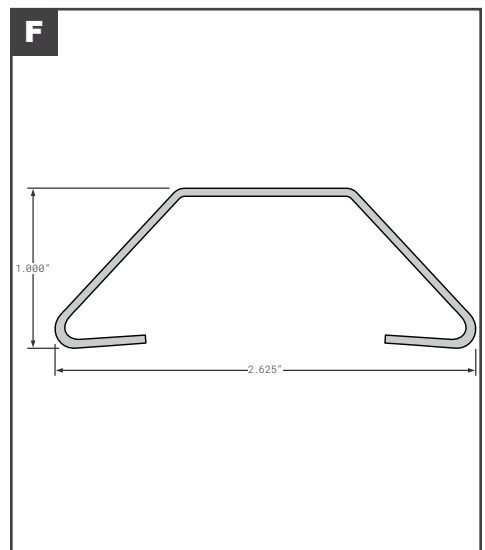
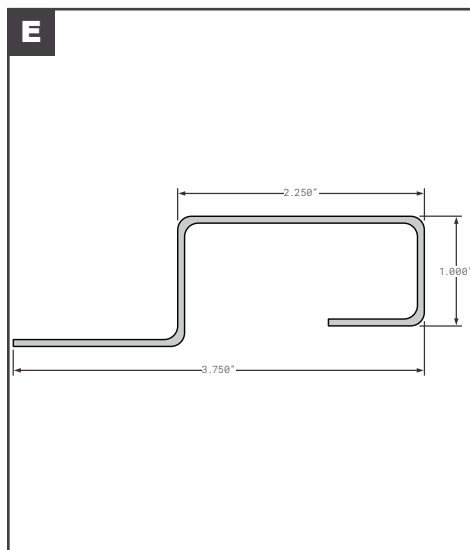
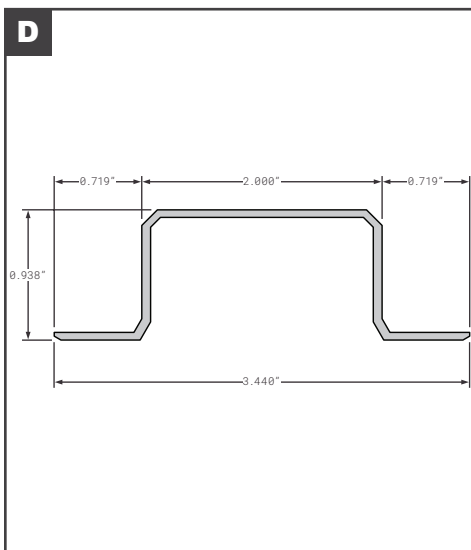


	Part No.	Description	Replaces	Length
A	STR01510	STRICK GALVANIZED STEEL AA39C00210100	OEM	98.875"
A	STR01512	STRICK GALVANIZED STEEL AA39C00210400	OEM	100.375"
A	STR01513	STRICK GALVANIZED STEEL AA39C00210500	OEM	99.438"
B	514-3-145A-2	TRAILMOBILE ALUMINUM-ARCHED	OEM	98.75"
C	514-3-152B	TRAILMOBILE GALVANIZED STEEL CHAMBER ANTI-SNAG	OEM	99.125"
D	90-4-1801-0-100	TRAILMOBILE ALUMINUM	OEM	100"
E	9514-3-78B	TRAILMOBILE GALVANIZED STEEL HAT	OEM	99.12"
F	FCB055-805	UTILITY STYLE GALVANIZED STEEL ANTI-SNAG	3-1600-053	99.5"

Roof Bows

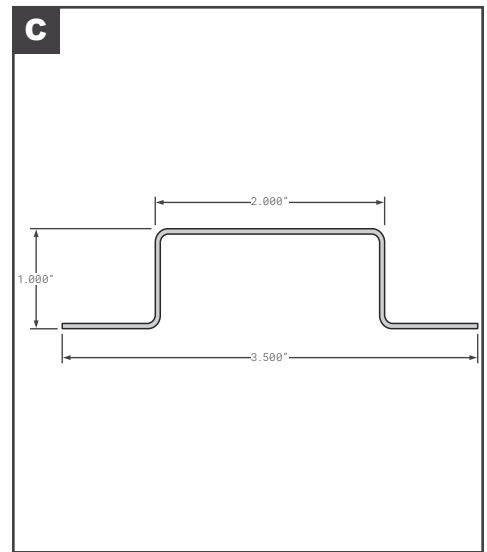
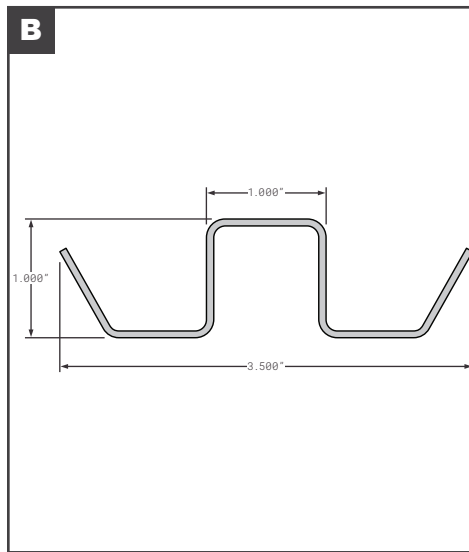
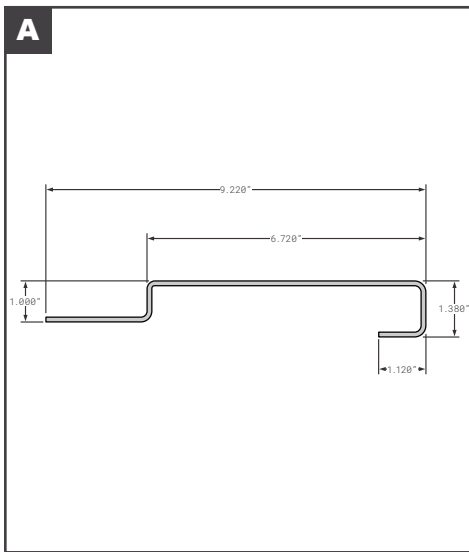


Starter Roof Bows

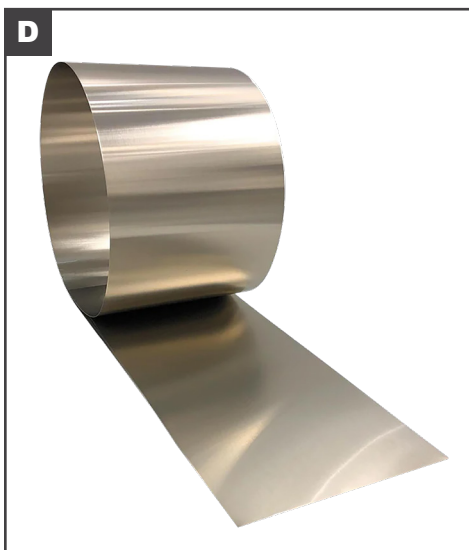


	Part No.	Description	Replaces	Length
A	FCB055-860	VANGUARD STYLE GALVANIZED STEEL	RBW00004	98.94"
B	SUP07200142-03	WABASH TRUCK BODY (FORMERLY SUPREME) 015084002A	OEM	90.88"
B	SUP07200142-04	WABASH TRUCK BODY (FORMERLY SUPREME) 015084003A	OEM	96.88"
C	FCB055-075	A.M.HAIRE STYLE	30722, 30723	98.5"
D	FCB055-370	KIDRON STYLE, READING (TRG) STYLE	K932023	100"
E	FCB055-460	MICKEY STYLE	6110662, 5112333	97.5"
F	FCB055-755	MORGAN STYLE GALVANIZED STEEL	019083, 0192303	92"
F	MOR0192303	MORGAN GALVANIZED STEEL 019083, 0192403	OEM	92"
F	FCB055-757	MORGAN STYLE GALVANIZED STEEL	019084, 0192304	98"
F	MOR0192304	MORGAN GALVANIZED STEEL 019084, 0192404	OEM	98"

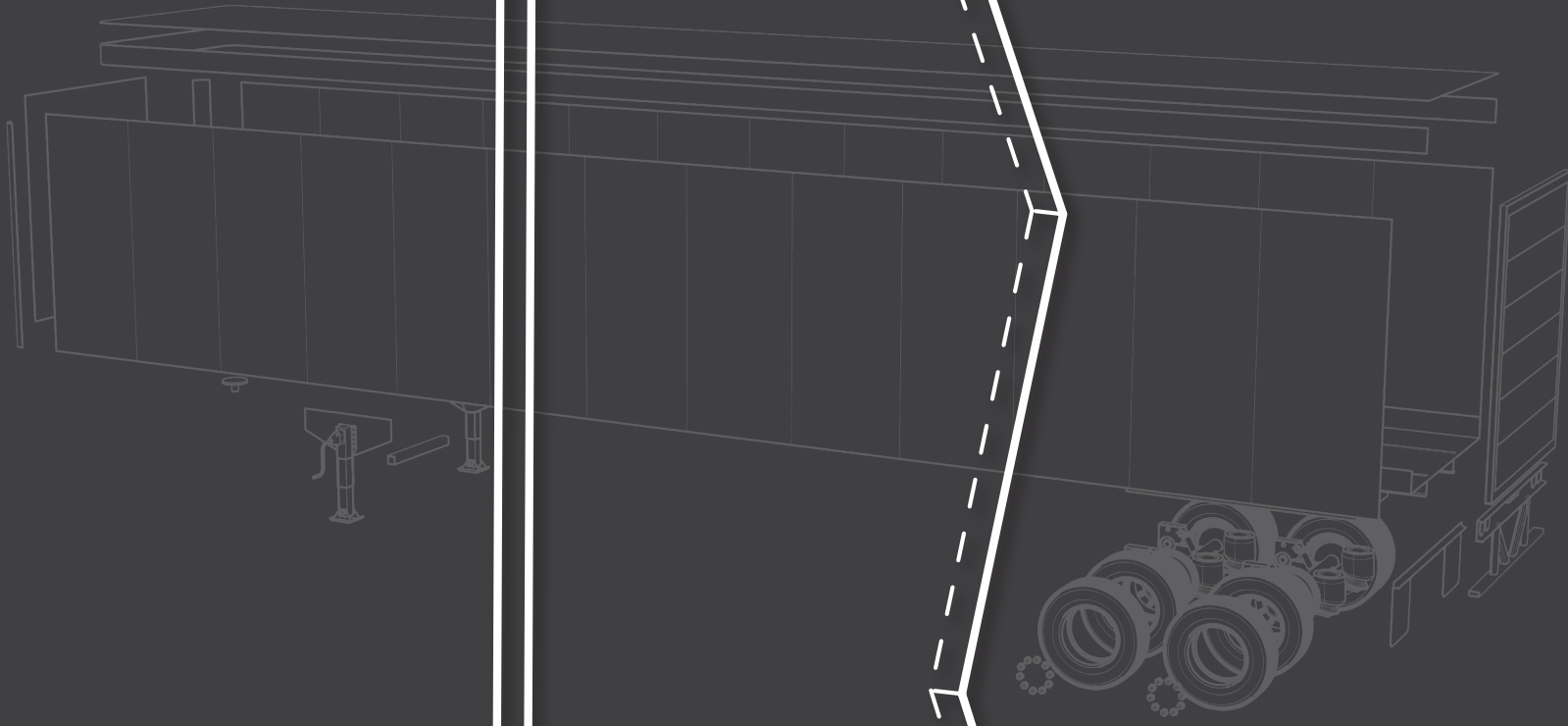
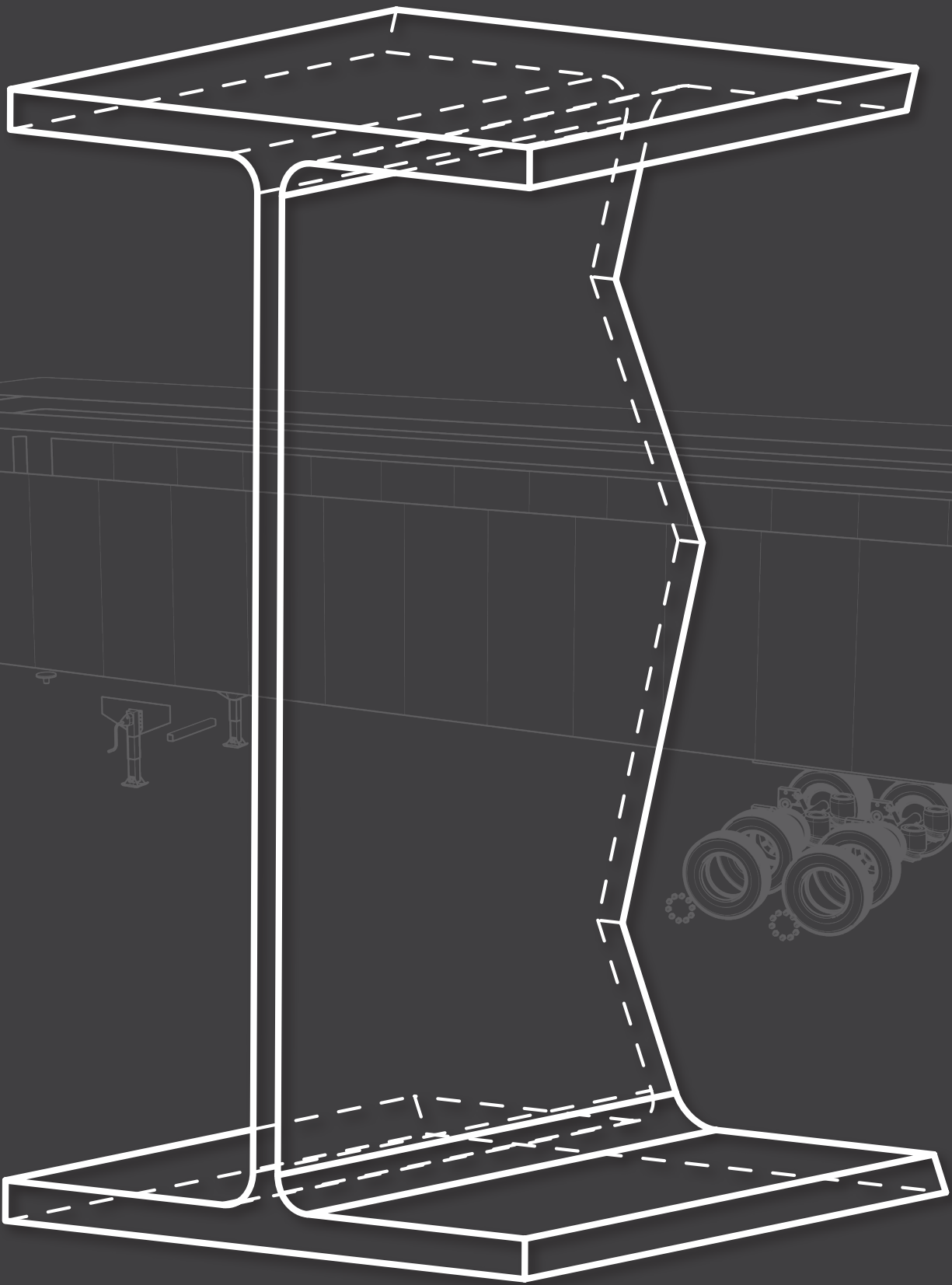
Starter Roof Bows



Repairs



	Part No.	Description	Replaces	Length
A	FCB055-758	MORGAN STYLE GVSR	0002503	98"
B	FCB055-520	MULTIVANS STYLE	GD0213	98.25"
C	FCB055-825-001	UTILIMASTER STYLE	01760008	98.5"
D	1164519	ROOF STRIP RENF .040 X 1.875 X 50' REINFORCEMENT	UNIVERSAL	600"
E	1164524	ROOF REPAIR KIT FOR TRANSLUCENT ROOF RK08 T-FIX 3' X 4' PATCH	UNIVERSAL	--
F	1164530	SUN PATCH KIT FOR TRANSLUCENT ROOF 12"X12" 1 PATCH PER	UNIVERSAL	--





ROAD EQUIPMENT PARTS CENTER

Crossmembers

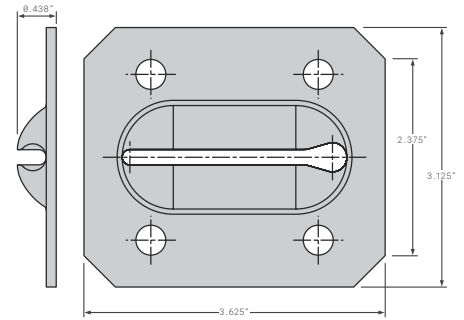
Accessories



1157011 REPLACES UNIVERSAL
CROSSMEMBER BOLT KIT GR5 3/8 X 1-1/4" TORX STYLE W/ NUT AND WASHER

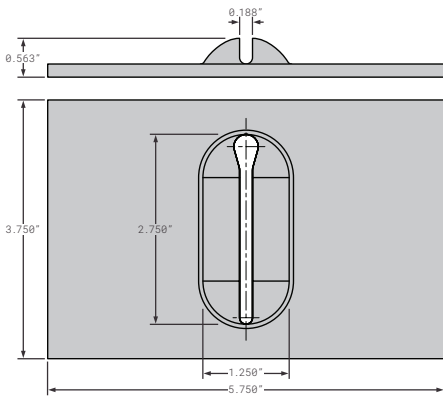


1157015 REPLACES UNIVERSAL
CROSSMEMBER BOLT KIT GR5 3/8 X 1-1/4" CARRIAGE STYLE W/ NUT AND WASHER

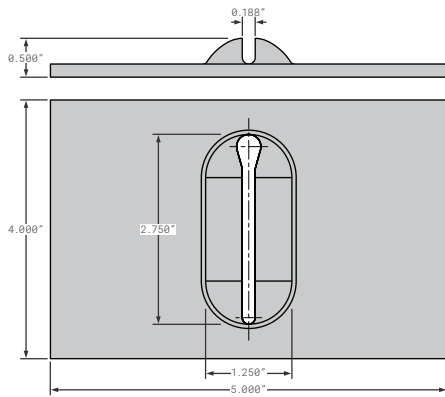


1157016 REPLACES PEN70-04
4 HOLE 3.125 X 3.562 WITH SLOT 2 X 2 HOLE CENTERS, STEEL

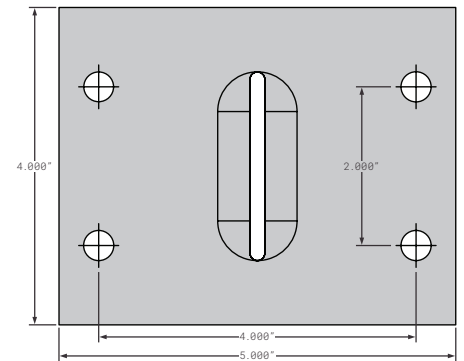
Accessories



1157021 REPLACES PEN70-10
3.75 X 5.75 WITH SLOT NO HOLES, STEEL

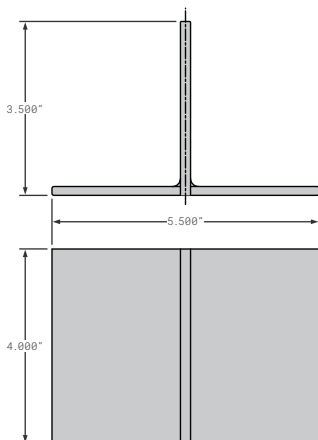


1157023 REPLACES PEN70-14-SP
4 X 5 WITH SLOT NO HOLES, STEEL

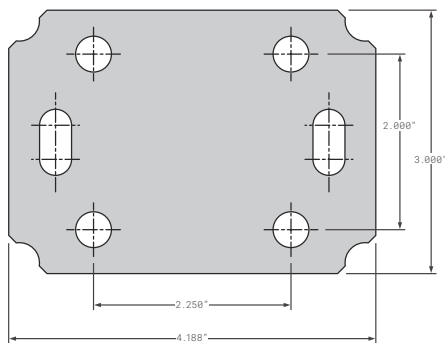


1157024 REPLACES PEN70-14
4 HOLE 4 X 5 WITH SLOT 2 X 4 HOLE CENTERS, STEEL

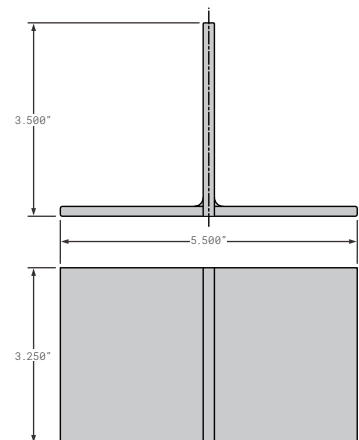
Accessories



FCB010-920 REPLACES 1310-2395-4
T STYLE 5.5" X 4" BLANK NO HOLES, ALUMINUM

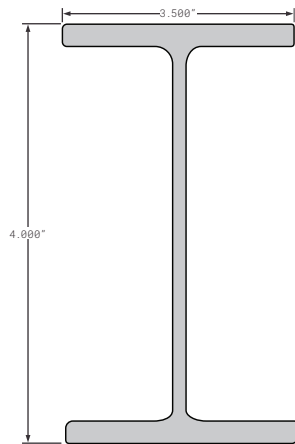


FCB010-927 REPLACES PEN70-13, FCE 2576-2
4 HOLE 3 X 4.188 WITH TWO SLOTS 2 X 2.25 HOLE CENTERS, STEEL



STR01796 REPLACES OEM
T STYLE 5.5" X 3.25" BLANK NO HOLES, ALUMINUM

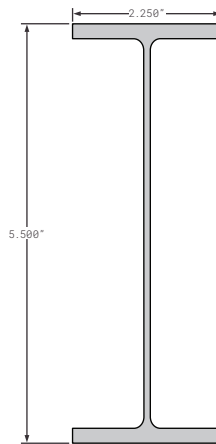
Aluminum I-Beams



1157030

REPLACES UNIVERSAL

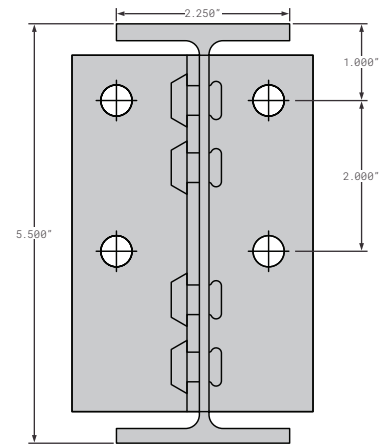
4 INCH I-BEAM 3.5" FLANGE, ALUMINUM, USE WITH CLIP FCB010-920, 102"



FCB010-805

REPLACES --

5.5 INCH I-BEAM 2.25 FLANGE NO CLIPS, ALUMINUM, UTILITY STYLE BLANK, USE WITH CLIP FCB010-920, 102"

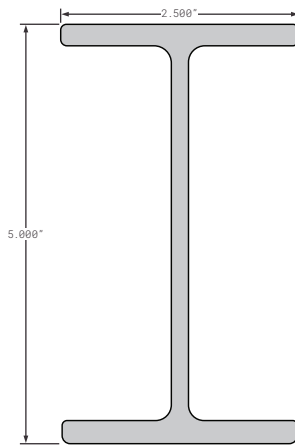


FCB010-805-001

REPLACES 04-2250-0-026

5.5 INCH I-BEAM 2.25 FLANGE WITH CLIPS, ALUMINUM 101.75"

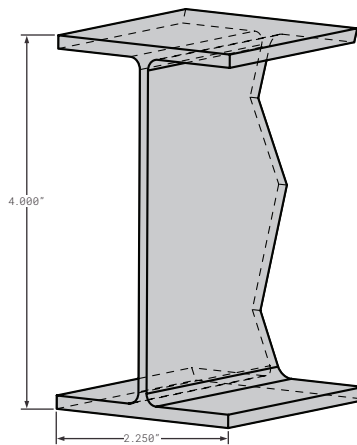
Aluminum I-Beams



FCB010-910-002

REPLACES 5X102AL, 90-4-2028-0-102

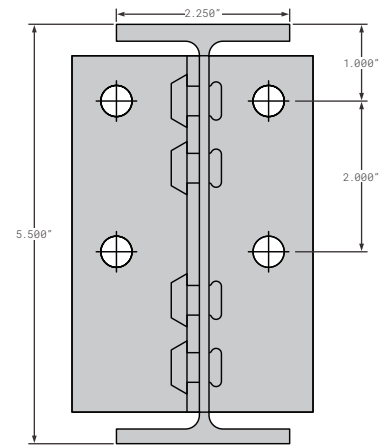
5 INCH I-BEAM 2.5 TOP AND BOTTOM FLANGE, ALUMINUM, USE WITH CLIP FCB010-920, 102"



HY10062532

REPLACES E08-016 4 2552

HYUNDAI 4 INCH I-BEAM NO CLIPS, ALUMINUM, 100.47"



HYBEAMAA011X01

REPLACES E08-015-1 I-BEAM

HYUNDAI 5.5 INCH I-BEAM WITH CLIPS, ALUMINUM, 101.5"

Aluminum I-Beams

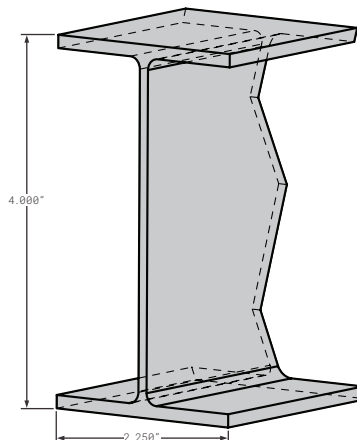


SPS03-07882-00400

REPLACES OEM

STOUGHTON HAT STYLE , 100.56"

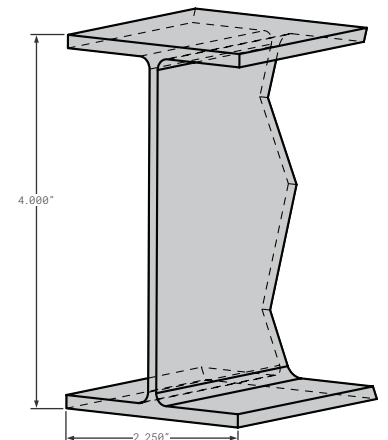
Steel I-Beams



1157031

REPLACES UNIVERSAL

4 INCH I-BEAM 3.20 LBS/FT 2.25" FLANGE, STEEL, 102"

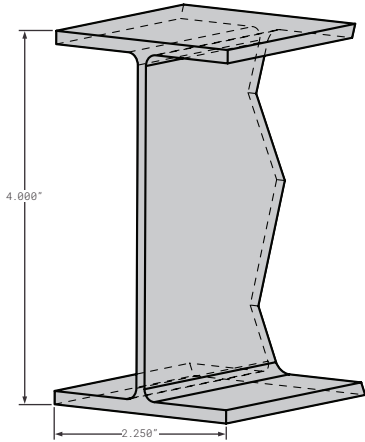


1157034

REPLACES UNIVERSAL

4 INCH I-BEAM 3.45 LBS/FT 2.25" FLANGE, STEEL, 100,000 TENSILE STRENGTH, 102"

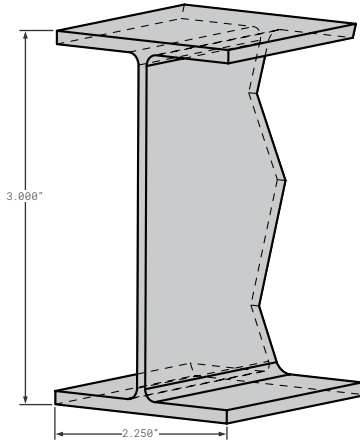
Steel I-Beams



1157035

REPLACES UNIVERSAL

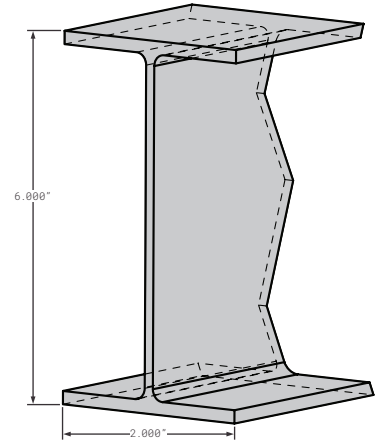
4 INCH I-BEAM 3.20 LBS/FT 2.25" FLANGE BLACK PRIMER, STEEL, 80,000 TENSILE STRENGTH, 102"



1157033

REPLACES UNIVERSAL

3 INCH I-BEAM 2.9 LBS/FT 2.25" FLANGE, STEEL, 102"

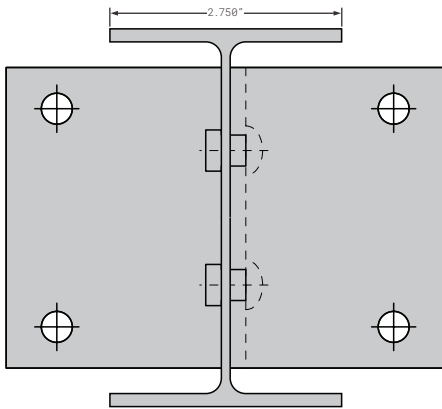


1157039

REPLACES UNIVERSAL

6 INCH I-BEAM 3.70 LBS/FT 2" FLANGE, STEEL, 102"

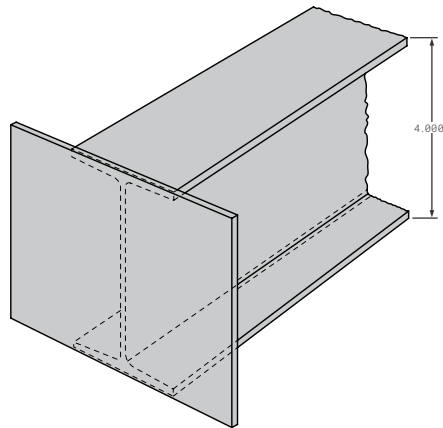
Steel I-Beams



HY10031775

REPLACES OEM

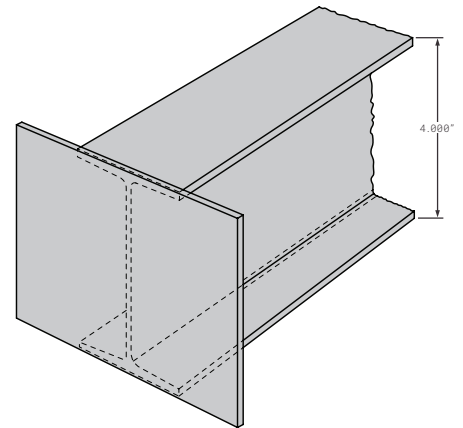
HYUNDAI 4 INCH I-BEAM 3.2LBS/FT COATED WITH CLIPS, STEEL, 101.5"



HY10059703

REPLACES OEM

HYUNDAI 4 INCH I-BEAM 3.2LBS/FT COATED WITH CLIPS, NO HOLE, STEEL, 101.5"

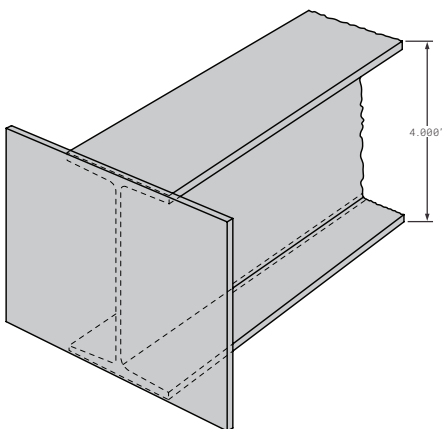


HY1170AA002G01

REPLACES OEM

HYUNDAI 4 INCH I-BEAM 3.2LBS/FT GALVANIZED W/CLIPS, STEEL, 101.5"

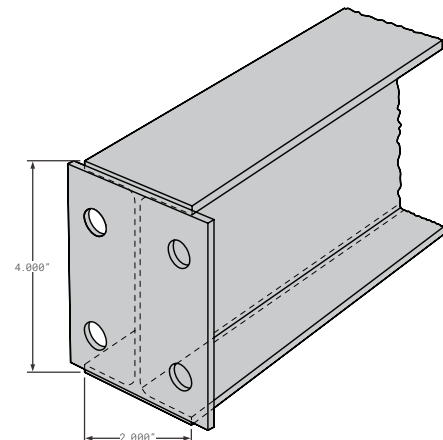
Steel I-Beams



HY1170AA007G01

REPLACES OEM

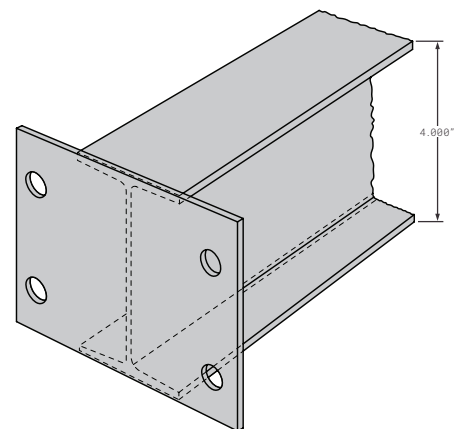
HYUNDAI 4 INCH I-BEAM 3.2LBS/FT GALVANIZED WITH CLIPS, NO HOLE, STEEL, 101.5"



SPS04-18454-00100

REPLACES OEM

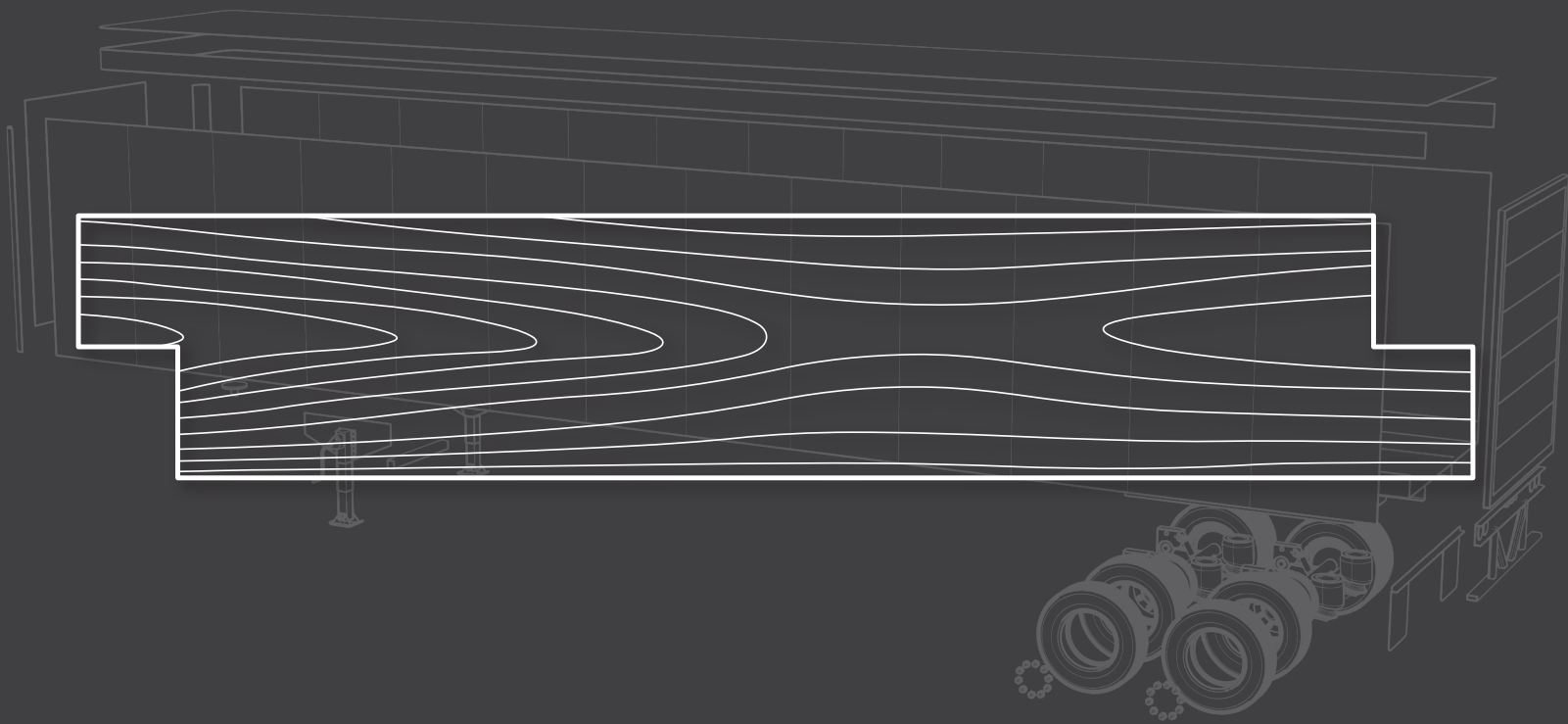
STOUGHTON 4 I-BEAM ASSEMBLY, 101.12"



STR01695

REPLACES OEM

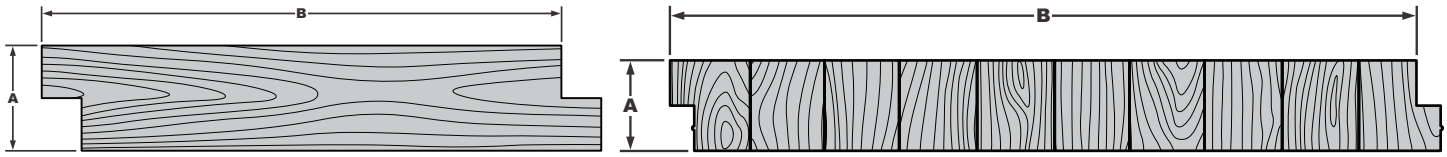
STRICK 4 INCH I-BEAM 3.2LBS/FT WITH CLIPS PRIMED BLACK, STEEL, 101.38"





ROAD EQUIPMENT PARTS CENTER

Flooring



Apitong Flooring

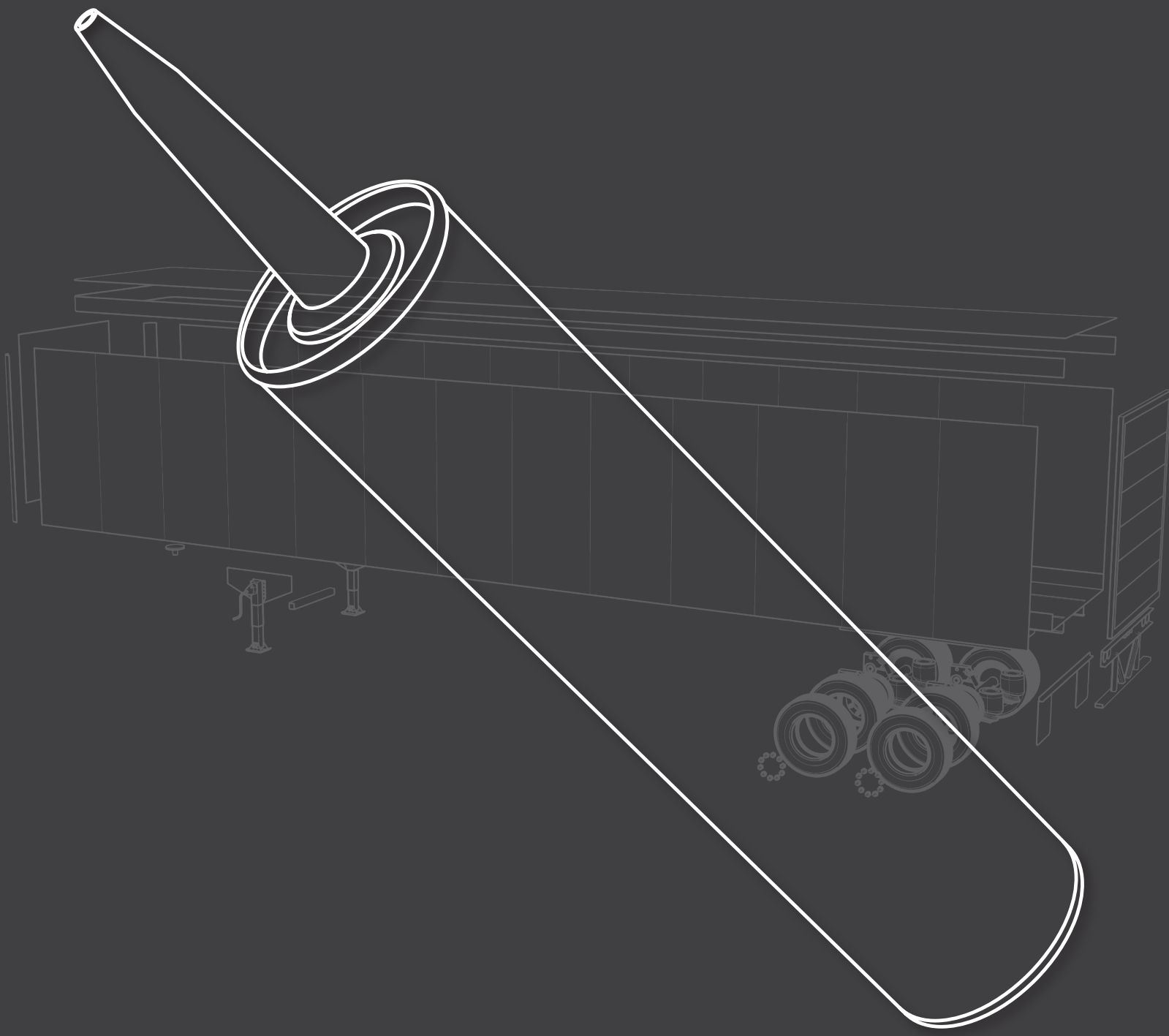
Part No.	A	B	Length	Description
AP1-1/8X5X16	1.125"	5"	16"	APITONG SHIPLAP 1680' PER BUNDLE
AP1-1/8X7X16	1.125"	7"	16"	APITONG SHIPLAP 1680' PER BUNDLE
AP1-5/16X5X16	1.313"	5"	16"	APITONG SHIPLAP 1680' PER BUNDLE
AP1-5/16X7X16	1.313"	7"	16"	APITONG SHIPLAP 1680' PER BUNDLE
AP2X8X18	2"	8"	18"	APITONG ROUGH SAWN

Container Flooring

Part No.	A	B	Length	Description
9910129	4'	8'	--	CONTAINER FLOORING 19 PLY T7 RATED
9910130	4'	8'	--	CONTAINER FLOORING 19 PLY T7 RATED HEAVY DUTY W/ FILM

Laminate Flooring

Part No.	A	B	Length	Description
11/4X13X624	1.25"	13"	52"	OAK SHIPLAP
11/4X312	1.25"	12"	26"	OAK SHIPLAP
11/4X624	1.25"	12"	52"	OAK SHIPLAP
11/8X312	1.125"	12"	26"	OAK SHIPLAP
11/8X624	1.125"	12"	52"	OAK SHIPLAP
13/8X13X624	1.375"	13"	52"	OAK SHIPLAP
13/8X312	1.375"	12"	26"	OAK SHIPLAP
13/8X624	1.375"	12"	52"	OAK SHIPLAP
HW11/4X144	1.25"	12"	12"	HARDWOOD SHIPLAP
HW11/4X288	1.25"	12"	24"	HARDWOOD SHIPLAP
HW11/8X144	1.125"	12"	12"	HARDWOOD SHIPLAP
HW11/8X156	1.125"	12"	13"	HARDWOOD SHIPLAP
HW11/8X288	1.125"	12"	24"	HARDWOOD SHIPLAP
HW11/8X312	1.125"	12"	26"	HARDWOOD SHIPLAP
HW13/8X144	1.375"	12"	12"	HARDWOOD SHIPLAP
HW13/8X288	1.375"	12"	24"	HARDWOOD SHIPLAP





ROAD EQUIPMENT PARTS CENTER

Sealants

Roof Sealant



Roof Sealant

Adhesives and Sealants



	Part No.	Description	Brand	Color	Size	Quantity
A	30500	LEAK-NO-MORE ROOF SEALER	Manus-Bond	--	1 gal	4/Case
B	1013474	ALUMINUM ROOF SEAL PAINT GRADE 65B	Manus-Bond	Aluminum	1 gal	4/Case
B	1013478	ALUMINUM ROOF SEAL BRUSH GRADE 65C	Manus-Bond	Aluminum	1 gal	4/Case
B	1013479	ALUMINUM ROOF SEAL TROWEL GRADE 65H	Manus-Bond	Aluminum	1 gal	4/Case
C	1013476	ROOF COATING LUMA-SHIELD HD	Truco	Aluminum	1 gal	4/Case
D	1013477	ROOF SEALER SEAL GAP	Manus-Bond	--	1 gal	4/Case
E	TP640	SEALER TREMPRO VULKEM BRUSH GRADE	TremPro	Aluminum	1 gal	4/Case
F	90891	ADHESIVE/SEALANT 221	Sikaflex	White	10.3 oz	24/Case
F	90892	ADHESIVE/SEALANT 221	Sikaflex	Gray	10.3 oz	24/Case
F	90893	ADHESIVE/SEALANT 221	Sikaflex	Black	10.3 oz	24/Case

Adhesives and Sealants



Sealants

Adhesives and Sealants



	Part No.	Description	Brand	Color	Size	Quantity
A	90915	ADHESIVE/SEALANT 252 550 LB TENSILE STRENGTH	Sikaflex	White	10.5 oz	24/Case
B	1100415	SEALANT DATED/NON RETURNABLE SOLIDSEAL	Silaprene	Gray	10.1 oz	12/Case
B	1100416	SEALANT DATED/NON RETURNABLE SOLIDSEAL	Silaprene	White	10.1 oz	12/Case
C	1100848	SEALANT DATED/NON RETURNABLE 6325	Silaprene	Gray	11 oz	24/Case
C	1100849	SEALANT DATED/NON-RETURNABLE 6324	Silaprene	White	11 oz	24/Case
C	1100850	SEALANT DATED/NON RETURNABLE 6328	Silaprene	Super White	11 oz	24/Case
D	1100800	CAULK GUN HEAVY DUTY MODEL 330	Manus-Bond	--	--	6/Case
E	1100825	ADHESIVE 25AM TENSILE 475 PSI	Manus-Bond	Gray	10.3 oz	30/Case
F	1100843	SEALANT ALL PURPOSE BUTYL 501AW	Manus-Bond	White	10.3 oz	36/Case
F	1100844	SEALNT ALL PURPOSE BUTYL 501AG	Manus-Bond	Gray	10.3 oz	36/Case

Adhesives and Sealants

Sealants



Adhesives and Sealants

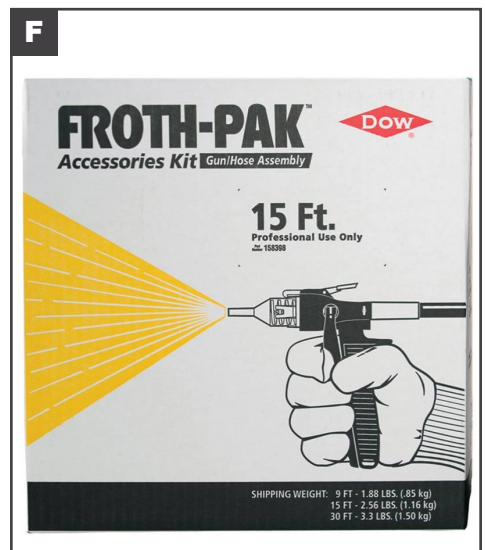


	Part No.	Description	Brand	Color	Size	Quantity
A	1100845	ADHESIVE SEALANT NEOPRENE 65AG	Fleetcraft	Gray	10.3 oz	36/Case
A	1100846	ADHESIVE SEALANT NEOPRENE 65AW	Fleetcraft	White	10.3 oz	36/Case
B	1100851	ADHESIVE SEALANT POLYURETHANE 75AMG	Manus-Bond	Gray	10.3 oz	36/Case
B	1100852	ADHESIVE SEALANT POLYURETHANE 75AMW	Manus-Bond	White	11 oz	30/Case
B	1100853	ADHESIVE SEALANT POLYURETHANE 75AMB	Manus-Bond	Black	11 oz	30/Case
C	1100855	SEAM SEALER 76AM	Manus-Bond	Gray	1 gal	4/Case
D	1100856	SEALANT SYNTHETIC RUBBER 30AW	Manus-Bond	White	10.3 oz	36/Case
D	1100857	SEALANT SYNTHETIC RUBBER 30AG	Manus-Bond	Gray	10.3 oz	36/Case
E	1190161	SEALANT SILICONE 73AC	Fleetcraft	Clear	10.1 oz	24/Case
E	1190162	SEALANT SILICONE 73AW	Fleetcraft	White	10.1 oz	24/Case
E	1190163	SEALANT SILICONE 73AG	Fleetcraft	Gray	10.1 oz	24/Case
E	1190168	SEALANT SILICONE 73AB	Fleetcraft	Black	10.1 oz	24/Case

Panel and Roof Repairs



Panel and Roof Repairs



	Part No.	Description	Brand	Color	Size	Quantity
A	QP300-BULK	QUICK PATCH FRP REPAIR	Quick Patch	--	3 qt	1 Box
A	QP300-QT	QUICK PATCH FRP REPAIR	Quick Patch	--	1 qt	--
B	V1212G	ALUMINUM PATCH	Vanfastic	Gray	12"x12"	--
B	V1212N	ALUMINUM PATCH	Vanfastic	Natural	12"x12"	--
B	V1212W	ALUMINUM PATCH	Vanfastic	White	12"x12"	10/Box
B	V1224N	ALUMINUM PATCH	Vanfastic	Natural	12"x24"	5/Box
B	V1224W	ALUMINUM PATCH	Vanfastic	White	12"x24"	5/Box
B	VF1224T	PATCH FLEXAN POLYCARBONATE	Vanfastic	Translucent	12"x24"	--
C	FP12KIT	FROTH-PAK KIT 1.75DENSITY 12 BOARD FT INCLUDES HOSE AND GUN	Dow Chemical	--	12 BF	--
D	FP200	FROTH-PAK KIT 1.75 DENSITY 200 BOARD FT INCLUDES HOSE AND GUN	Dow Chemical	--	200 BF	--
E	FP620	FROTH-PAK KIT 1.75 DENSITY 620 BOARD FT INCLUDES HOSE AND GUN	Dow Chemical	--	620 BF	--
F	GHA-15	GUN HOSE ASSY 15-FT W/NOZZLE FOR INSTA-FOAM	Dow Chemical	--	--	--

Floor Repair

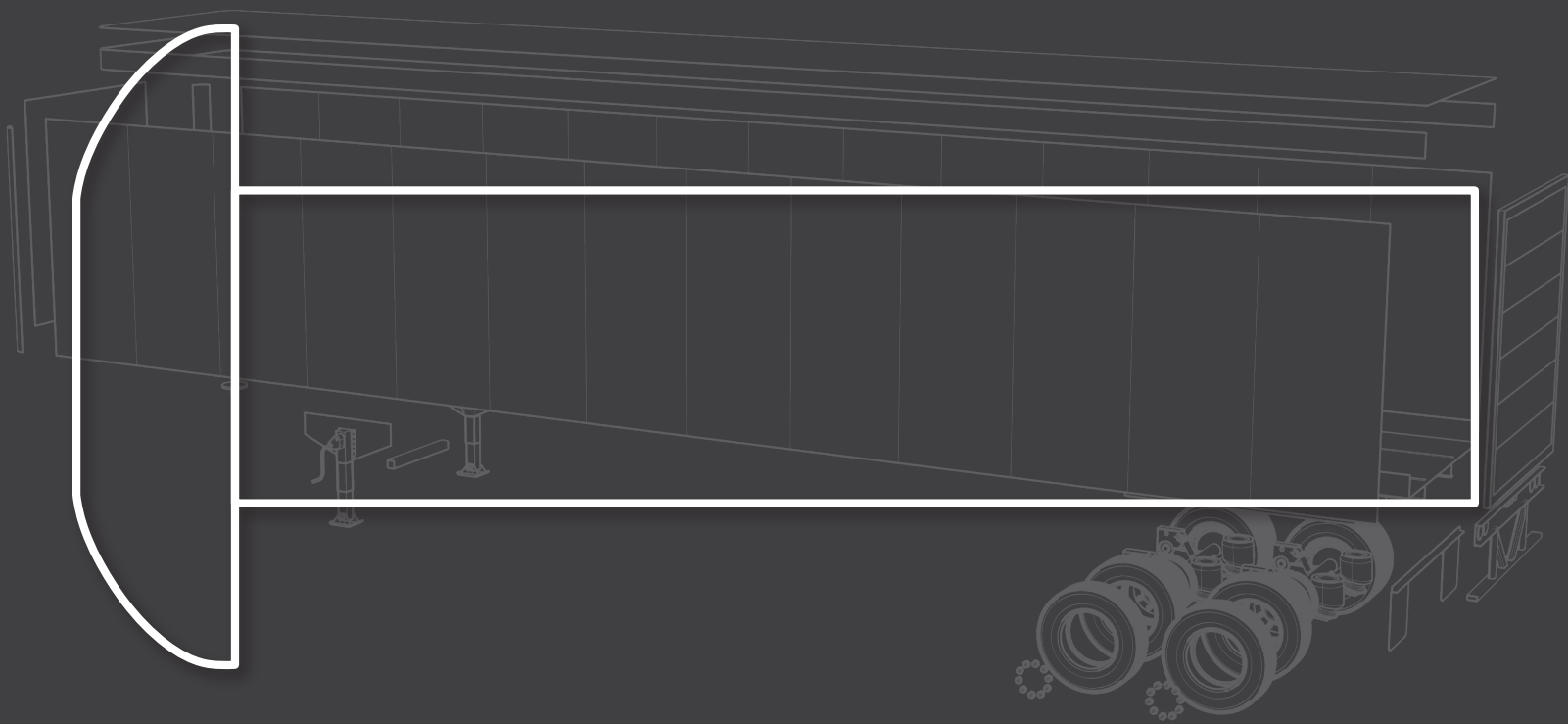


Floor Repair

Tape Products



	Part No.	Description	Brand	Color	Size	Quantity
A	EC53AB	FLOOR RESTORE KIT SOLVENT FREE FOR 53FT	Key Polymer	--	53'	--
B	EC1055AB	FLOOR RESTORE KIT SOLVENT FREE FOR 48FT	Key Polymer	--	48'	--
C	FP100-QT	FLOOR CRACK FILLER	Key Polymer	--	1 qt	3/Case
D	FP100-BULK	FLOOR CRACK FILLER BULK PACK	Key Polymer	--	3 qt	Bulk
E	3X50	FOIL PATCH TAPE 64A	Manus-Bond	Alum-Foil	3"x50'	8/Case
E	4X50	FOIL PATCH TAPE 64A	Manus-Bond	Alum-Foil	4"x50'	8/Case
E	4X50WH	FOIL PATCH TAPE 64A	Manus-Bond	White	4"x50'	8/Case
E	6X50	FOIL PATCH TAPE 64A	Manus-Bond	Alum-Foil	6"x50'	4/Case
E	700-99-186	PATCH TAPE	Trailmobile	Alum-Foil	4"x30'	12/Case
E	700-99-193	PATCH TAPE	Trailmobile	Alum-Foil	6"x30'	8/Case
F	1059065	ROOF BOW TAPE 2 SIDED 64A	--	--	1/8"x5/8"x65'	16/Case
F	1059610	ROOF BOW TAPE 2-SIDED 64A	--	--	1/16"x3/4"x100'	16/Case





ROAD EQUIPMENT PARTS CENTER

Fasteners

Aluminum Bucking Rivets

Brazier Rivets

Part No.	Alloy	Diameter (D)	Length (L)	Head Diameter (A)	Head Height (H)	Pcs Per Bag
1025900	HARD	3/16	3/8	0.469	0.094	1046
1025901	SOFT	3/16	3/8	0.469	0.094	1046
1025902	HARD	3/16	7/16	0.469	0.094	960
1025903	SOFT	3/16	7/16	0.469	0.094	960
1025904	HARD	3/16	1/2	0.469	0.094	886
1025905	SOFT	3/16	1/2	0.469	0.094	886
1025906	HARD	3/16	9/16	0.469	0.094	822
1025908	SOFT	3/16	5/8	0.469	0.094	768
1025907	HARD	3/16	5/8	0.469	0.094	768
1025909	HARD	1/4	3/8	0.625	0.125	514
1025910	HARD	1/4	1/2	0.625	0.125	444
1025911	SOFT	1/4	1/2	0.625	0.125	444
1025912	HARD	1/4	5/8	0.625	0.125	390
1025913	SOFT	1/4	5/8	0.625	0.125	390
1025914	HARD	1/4	3/4	0.625	0.125	348
1025915	HARD	1/4	7/8	0.625	0.125	314
1025935	HARD	1/4	1	0.625	0.125	286
1025948	HARD	1/4	1-1/8	0.625	0.125	262
1025949	HARD	1/4	1-1/4	0.625	0.125	244

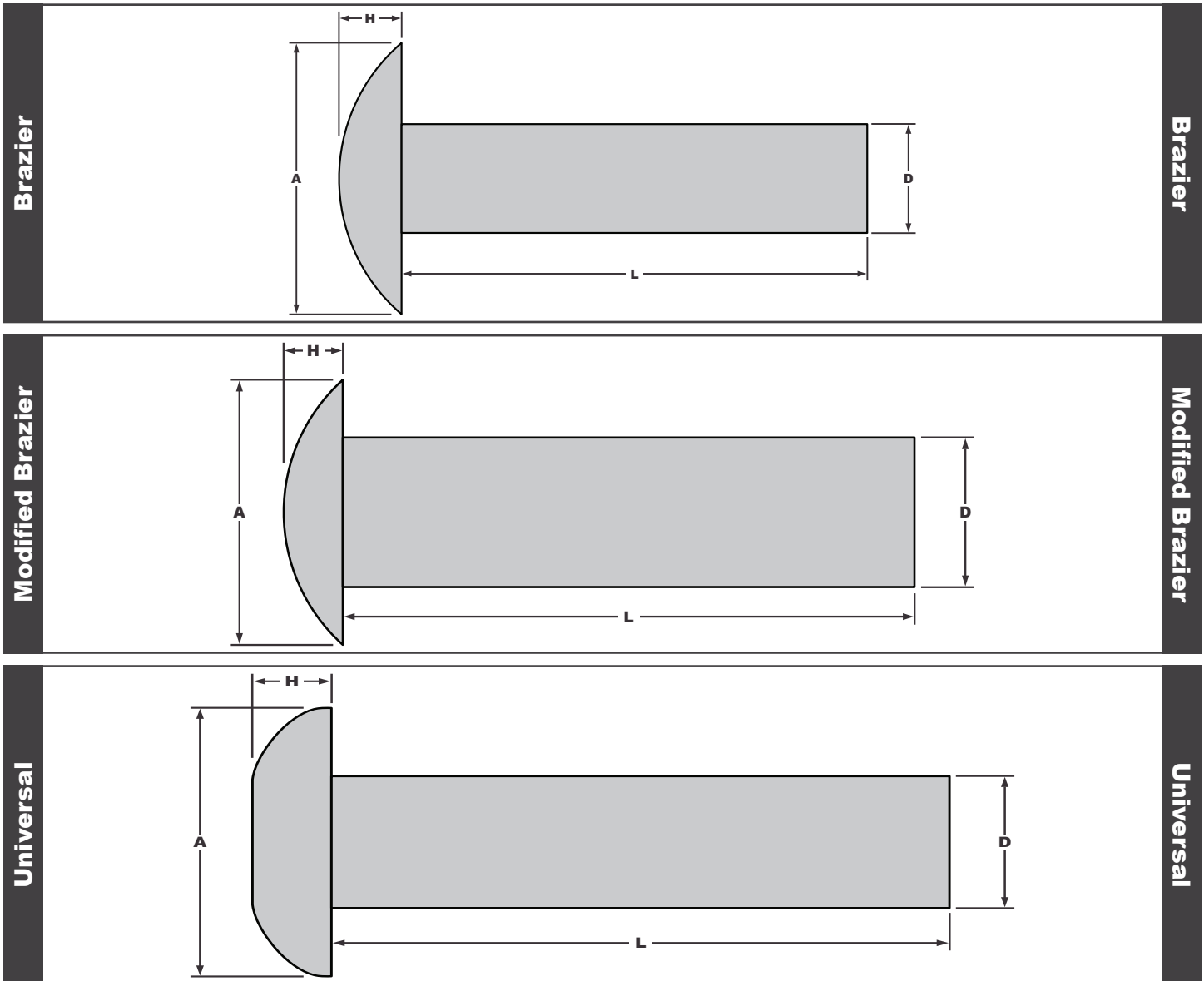
Modified Brazier Rivets

Part No.	Alloy	Diameter (D)	Length (L)	Head Diameter (A)	Head Height (H)	Pcs Per Bag
1025921	HARD	3/16	3/8	0.390	0.078	1298
1025922	HARD	3/16	7/16	0.390	0.078	1168
1025923	HARD	3/16	1/2	0.390	0.078	1062
1025924	HARD	1/4	3/8	0.468	0.094	738
1025925	HARD	1/4	1/2	0.468	0.094	600
1025926	HARD	1/4	5/8	0.468	0.094	506
1025927	HARD	1/4	3/4	0.468	0.094	436

Universal Rivets

Part No.	Alloy	Diameter (D)	Length (L)	Head Diameter (A)	Head Height (H)	Pcs Per Bag
1025916	HARD	3/16	7/16	0.375	0.085	1142
1025941	HARD	3/16	1/2	0.375	0.085	1042
1025919	HARD	1/4	1/2	0.500	0.112	514
1025920	HARD	1/4	5/8	0.500	0.112	444
1025938	HARD	3/8	3/4	0.750	0.166	162

Aluminum Bucking Rivets



Rivet Alloy Identification

Hard — Alloy 2117 I.D. Mark Depressed dimple in top center of rivet head

Soft — Alloy 1100F I.D. Mark Raised figure "2" on bottom of shank

All rivets are chamfered.

Rivet Set Tool



Part No.	Diameter	Head Style
AJT1610	3/16	MODIFIED BRAZIER
AJT1611	1/4	MODIFIED BRAZIER
AJT1620	3/16	BRAZIER
AJT1621	1/4	BRAZIER
AJT1636	3/16	UNIVERSAL
AJT4538	3/8	UNIVERSAL
AJTSM5045512	3/8	BRAZIER

Floor Screws

Part No.	Finish	Diameter	Length	Head Style	Pack Size
1013492-100	PHOSPHATE & OIL	1/4	1	TX30	100
1013492	PHOSPHATE & OIL	1/4	1	TX30	3000
1013493-100	PHOSPHATE & OIL	1/4	1 1/2	TX30	100
1013493	PHOSPHATE & OIL	1/4	1 1/2	TX30	2200
1013494-100	PHOSPHATE & OIL	1/4	2	TX30	100
1013494	PHOSPHATE & OIL	1/4	2	TX30	1700
1013495-100	PHOSPHATE & OIL	1/4	2 1/2	TX30	100
1013495	PHOSPHATE & OIL	1/4	2 1/2	TX30	1400
1013496-100	PHOSPHATE & OIL	1/4	3	TX30	100
1013496	PHOSPHATE & OIL	1/4	3	TX30	1300
1013498-50	PHOSPHATE & OIL	1/4	4	TX30	50
1013498	PHOSPHATE & OIL	1/4	4	TX30	1000
1013500-50	PHOSPHATE & OIL	1/4	5	TX30	50
1013500	PHOSPHATE & OIL	1/4	5	TX30	800
1013502-50	PHOSPHATE & OIL	1/4	6	TX30	50
1013502	PHOSPHATE & OIL	1/4	6	TX30	750
1025371-100	PHOSPHATE & OIL	5/16	2	TX40	100
5/16-18X2	WAXED	5/16	2	TX40	1000
1025371	PHOSPHATE & OIL	5/16	2	TX40	1200
1025373-100	PHOSPHATE & OIL	5/16	2 1/2	TX40	100
1025373	PHOSPHATE & OIL	5/16	2 1/2	TX40	1000
1025374-100	PHOSPHATE & OIL	5/16	3	TX40	100
1025374	PHOSPHATE & OIL	5/16	3	TX40	700

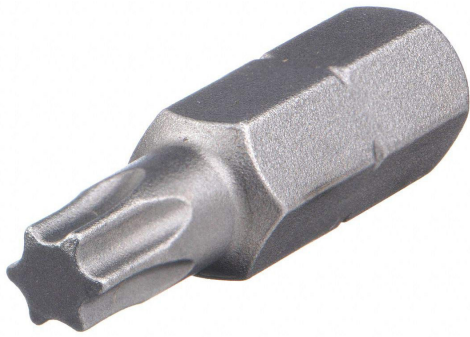


Self Tapping Screws

Part No.	Finish	Diameter	Length	Head Style	Pack Size
1026080	YELLOW ZINC	#10	1	PH #2	500
1026085	YELLOW ZINC	#10	1 1/4	PH #2	500
1026075	YELLOW ZINC	#10	3/4	PH #2	500



Torx Bit



Part No.	Bit Style	Shank	Length
HSB15826	T25	1/4	1
HSB15827	T30	1/4	1
HSB15829	T40	1/4	1
HSB16030	T30	5/16	1 1/4
HSB16031	T40	5/16	1 1/4
HSB16032	T45	5/16	1 1/4
HSB16034	T50	5/16	1 1/4

Square Bit



Part No.	Bit Style	Shank	Length
HSB15816	#2	1/4	1

Phillips Bit



Part No.	Bit Style	Shank	Length
HSB15803	#2	1/4	1
HSB15804	#3	1/4	1
HSB15830	#2	5/16	1 1/4
HSB16022	#3	5/16	1 1/4
HSB16023	T30	5/16	1 1/4

Socket Adapter



Part No.	Driver Size	Bit Size	Length
SDS056	1/2 SQUARE	1/4	1 3/4
SDS058	1/2 SQUARE	5/16	1 3/4

Closed End Rivet

Part No.	Material	Diam.	Length	Grip Length	Flange Style	Pack Size	Head Diam.	Head Height
M46009	ALUM / STEEL	3/16	.531	.126 - .250	BUTTONHEAD	500	.374	.080
M46010	ALUM / STEEL	3/16	.656	.251 - .375	BUTTONHEAD	500	.374	.080
M46011	ALUM / STEEL	3/16	.781	.376 - .500	BUTTONHEAD	500	.374	.080
M56011	ALUM / STEEL	3/16	.781	.376 - .500	BUTTONHEAD	4000	.374	.080
M46014	ALUM / STEEL	1/4	.695	.251 - .375	BUTTONHEAD	100	.512	.090

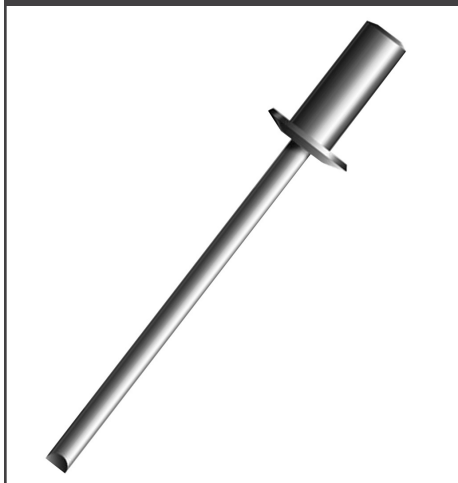
Multi Grip Rivet

Part No.	Material	Diam.	Length	Grip Length	Flange Style	Pack Size	Head Diam.	Head Height
M46351	ALUM / STEEL	3/16	.595	.187 - .437	BUTTONHEAD	500	.386	.057

Pop Rivet

Part No.	Material	Diam.	Length	Grip Length	Flange Style	Pack Size	Head Diam.	Head Height
M40349	ALUMINUM	3/16	.575	.251 - .375	BUTTONHEAD	500	.375	.060
M44449	STAINLESS STEEL	3/16	.575	.251 - .375	BUTTONHEAD	500	.375	.066
M40353	ALUMINUM	3/16	.700	.375 - .500	LARGE	500	.615	.090
M44450	STAINLESS STEEL	3/16	.700	.375 - .500	BUTTONHEAD	500	.375	.066
M40360	ALUMINUM	3/16	.950	.626 - .750	LARGE	500	.615	.090
M42183	STEEL	1/4	.625	.251 - .375	BUTTONHEAD	100	.500	.080
M42383	ALUMINUM	1/4	.625	.251 - .375	BUTTONHEAD	100	.500	.080
M42389	ALUMINUM	1/4	1	.626 - .750	BUTTONHEAD	100	.500	.080

Closed End Rivet



Features/Benefits

- Moisture-resistant due to closed end
- Greater shear and tensile strength
- Mandrel is retained 100% of the time
- 1/8" to 1/4" diameters

Multi Grip Rivet



Features/Benefits

- Extended grip range capacity
- Reduces inventory (fewer sizes required)
- Use as a standard open-end rivet
- 1/8" to 3/16" diameters

Pop Rivet



Features/Benefits

- Blind fastening where there is no access to the opposite side
- Simple to install
- 3/32" to 1/4" diameters

ROAD EQUIPMENT PARTS CENTER



Applications

Utility Style Applications

Product Category	Part No.	Pg
Corner Radius	FCB025-805	35
Corner Radius	FCB025-805-001	35
Corner Radius	FCB025-806-001	36
Corner Radius	FCB025-807	36
Corrugated Panels	FCB030-800	76
Inner Radius	FCB025-807-002	36
Nose Rails	FCB040-806	22
Nose Rails	FCB040-807	22
Radius Inserts	FCB025-802-001	35
Radius Inserts	FCB025-802-002	35
Radius Inserts	FCB025-802-003	35
Roof Bows	FCB055-805	88
Side Bottom Rails	FCB045-806	62
Side Bottom Rails	FCB045-806-001	59
Side Bottom Rails	FCB045-807	63
Side Posts	FCB035-802	51
Side Posts	FCB035-807	52
Side Posts	FCB035-807-001	52
Side Top Rails	FCB050-806	69
Side Top Rails	FCB050-807	69

Great Dane Style Applications

Product Category	Part No.	Pg
Bottom Nose Rails	FCB040-214	20
Composite Panels	FCB030-220	74
Composite Panels	FCB030-220-001	74
Corner Caps	FCB005-217	8
Corner Caps	FCB005-218	8
Corner Caps	FCB005-219	8
Corner Caps	FCB005-220	8
Corner Caps	FCB005-220-001	8
Corner Radius	FCB025-200	26
Corner Radius	FCB025-201	26
Corner Radius	FCB025-201-001	26
Corner Radius	FCB025-211	26
Corner Radius	FCB025-214	27
Corner Radius	FCB025-218	27
Corner Radius	FCB025-218-002	27
Corner Radius	FCB025-220	27
Corner Radius	FCB025-221	27
Corrugated Panels	FCB030-200	76
Corrugated Panels	FCB030-205	76
Front Posts	FCB035-202	41
Inner Radius	FCB025-218-001	39
Inner Radiuses	FCB025-201-002	39
Nose Rails	FCB040-209	20
Nose Rails	FCB040-211	20

Great Dane Style Applications

Product Category	Part No.	Pg
Nose Rails	FCB040-220	20
Nose Rails	FCB040-221	20
Roof Bows	FCB055-200	86
Roof Bows	FCB055-200-001	86
Roof Bows	FCB055-202	86
Roof Bows	FCB055-203	86
Roof Bows	FCB055-204	86
Side Bottom Rails	FCB045-205	58
Side Bottom Rails	FCB045-210-001	58
Side Bottom Rails	FCB045-214	58
Side Bottom Rails	FCB045-218	58
Side Bottom Rails	FCB045-219	58
Side Bottom Rails	FCB045-220-001	58
Side Bottom Rails	FCB045-221	59
Side Posts	FCB035-200	44
Side Posts	FCB035-205	44
Side Posts	FCB035-220	44
Side Posts	FCB035-220-001	44
Side Top Rails	FCB050-217	64
Side Top Rails	FCB050-218	64
Side Top Rails	FCB050-219	64
Side Top Rails	FCB050-220-001	64
Side Top Rails	FCB050-221	64

Hyundai Applications

Product Category	Part No.	Pg
.050 Aluminum	HY3110DA027X27	76
Aluminum I-Beams	HY10062532	95
Aluminum I-Beams	HYBEAMAA011X01	95
Composite Panels	HY10019499	74
Composite Panels	HY10025434	74
Composite Panels	HY10036041	74
Composite Panels	HY10042052	74
Composite Panels	HY10042054	74
Composite Panels	HY10044433	74
Composite Panels	HY10048598	74
Composite Panels	HY10048813	74
Composite Panels	HY10049253	74
Composite Panels	HY10072908	74
Composite Panels	HY10072967	74
Composite Panels	HY10073786	74
Corner Caps	HY10013257	8
Corner Caps	HY10015416	8
Corner Caps	HY10043197	9
Corner Caps	HY10043198	9
Corner Caps	HYU10015378	9
Corner Protectors	HYU2300-DA034-X01	16

Hyundai Applications

Product Category	Part No.	Pg
Corner Protectors	HYU2300-DA034-X07	16
Corner Protectors	HYU2300LAA010X01	16
Corner Protectors	HYU2300RAA010X01	16
Corner Radius	HY200TDB007X01	29
Corner Radius	HY200TDB007X02	29
Corner Radius	HY6200DA040V04	39
Corner Radius	HY6200DA040V05	39
Corner Radius	HY6200LDA003V06	39
Corner Radius	HY6200RDA003V06	39
Corner Radius	HY20032332	27
Corner Radius	HY20033886	28
Corner Radius	HY20050642	28
Corner Radius	HY20054038	28
Corner Radius	HY20084076	28
Corner Radius	HY20084150	28
Corner Radius	HY20092262	28
Corner Radius	HY20092263	28
Corner Radius	HY20116322	29
Corner Radius	HYE05-023-1068	29
Corner Radius	HYE05-031-1100	29
Corner Radius	HYE05-036-1098	29
Corner Radius	HYE05-040-1120	29
Corner Radius	HYE05-041-103B	30
Corner Radius	HYE05-043-1100	30
Corrugated Panels	HY3110-DA461-X02	76
Front Posts	HY10053383	41
Front Posts	HY10053901	41
Front Posts	HY10054764	42
Front Posts	HY10056705	42
Front Posts	HY10061587	42
Front Posts	HY10066880	27
Front Posts	HY20011744	42
Front Posts	HY20051352	42
Front Posts	HY20064923	42
Front Posts	HY20076832	43
Liner Panels	HY10030205	81
Liner Panels	HY10030206	81
Nose Rails	HY10003146	20
Nose Rails	HY10005195	20
Nose Rails	HY10013255	20
Nose Rails	HY10016265	20
Nose Rails	HY10021329	21
Nose Rails	HY10063408	21
Nose Rails	HY10072762	21
Roof Bows	HY5100DA001X02	86
Roof Bows	HY10035596	86
Roof Bows	HYU10020735	86



ROAD EQUIPMENT PARTS CENTER

Applications

Hyundai Applications

Product Category	Part No.	Pg
Roof Bows	HYU10026068	87
Rub Rail End Caps	HYU10064608	56
Side Bottom Rails	HYU10012834	59
Side Bottom Rails	HYU10024232	59
Side Bottom Rails	HYU10026320	59
Side Bottom Rails	HYU10028597	59
Side Bottom Rails	HYU10034643	60
Side Bottom Rails	HYU10040083	60
Side Bottom Rails	HYU10060538	60
Side Bottom Rails	HYU10060550	60
Side Bottom Rails	HYU10060551	60
Side Bottom Rails	HYU10062522	60
Side Bottom Rails	HYU10072624	61
Side Posts	HY10007272	45
Side Posts	HY10009128	45
Side Posts	HY10011202	45
Side Posts	HY10019375	46
Side Posts	HY10022262	46
Side Posts	HY10023498	46
Side Posts	HY10030203	46
Side Posts	HY10035778	46
Side Posts	HY10036046	46
Side Posts	HY10037274	46
Side Posts	HY10038647	46
Side Posts	HY10039523	47
Side Posts	HY10041439	47
Side Posts	HY10042083	46
Side Posts	HY10046094	47
Side Posts	HY10067082	47
Side Posts	HY10072604	47
Side Posts	HY10072649	47
Side Rub Rails	HYU10009072	57
Side Rub Rails	HYU10028852	57
Side Top Rails	HYU10015708	65
Side Top Rails	HYU10023185	65
Side Top Rails	HYU10039709	65
Side Top Rails	HYU10049296	65
Side Top Rails	HYU10052616	65
Side Top Rails	HYU10055278	65
Side Top Rails	HYU10055833	66
Side Top Rails	HYU10060537	66
Side Top Rails	HYU10060549	66
Steel I-Beams	HY1170AA002G01	96
Steel I-Beams	HY1170AA007G01	96
Steel I-Beams	HY10031775	96
Steel I-Beams	HY10059703	96
Tube Styles	HYU10014546	97

Stoughton Applications

Product Category	Part No.	Pg
.050 Aluminum	SPS01-09904-XXX15	76
Aluminum I-Beams	SPS03-07882-00400	95
Composite Panels	FCB030-580	74
Composite Panels	SPS01-22503-XX600	74
Composite Panels	SPS21-000075	74
Composite Panels	SPS21-000166	74
Corner Caps	SPS04-12835-00000	11
Corner Caps	SPS04-19507-00000	12
Corner Caps	SPS04-22044-20000	12
Corner Caps	SPS04-28850-00000	12
Corner Caps	SPS20-000002	12
Corner Protectors	SPS01-29028-00000	17
Corner Protectors	SPS01-29472-00000	17
Corner Radius	SPS01-20165-XXX-00	32
Corner Radius	SPS01-20893-10500	32
Front Posts	SPS01-19981-00600	43
Front Posts	SPS01-19981-03300	43
Front Posts	SPS03-12991-11000	43
Liner Panels	SPS04-23723-09800	81
Liner Panels	SPS04-23724-09800	81
Nose Rails	SPS01-12907-00100	21
Nose Rails	SPS02-06388-08350	21
Nose Rails	SPS02-06388-09150	21
Nose Rails	SPS02-30306-09019	21
Radius Panels	SPS01-28889-10600	33
Radius Panels	SPS01-28889-20600	33
Roof Bows	SPS04-28321-00100	87
Rub Rail End Caps	SPS01-22292-00000	56
Rub Rail End Caps	SPS04-21987-00000	56
Side Bottom Rails	SPS02-19469-32125	61
Side Bottom Rails	SPS02-22823-62450	62
Side Bottom Rails	SPS02-22839-62350	62
Side Bottom Rails	SPS02-28458-62450	62
Side Posts	01-21122-006-00	48
Side Posts	03-06347-110-00	48
Side Posts	SPS01-12994-XXX00	32
Side Posts	SPS01-20835-11700	48
Side Posts	SPS01-20835-21700	48
Side Posts	SPS01-22583-10600	32
Side Posts	SPS01-22583-20600	32
Side Posts	SPS01-23264-00600	49
Side Posts	SPS01-23264-02900	49
Side Posts	SPS01-23264-03000	49
Side Posts	SPS01-26416-10600	32
Side Posts	SPS01-26416-10615	33
Side Posts	SPS01-26416-20600	33
Side Posts	SPS01-26416-20615	33

Stoughton Applications

Product Category	Part No.	Pg
Side Posts	SPS01-27249-10600	33
Side Posts	SPS01-27249-20600	33
Side Posts	SPS01-28882-03100	49
Side Posts	SPS01-28916-03100	49
Side Posts	SPS04-20577-00600	49
Side Posts	SPS04-20671-00600	49
Side Posts	SPS04-21216-00000	50
Side Posts	SPS04-25967-00600	49
Side Posts	SPS04-29105-00600	50
Side Posts	SPS04-29200-00600	49
Side Posts	SPS20-000073	34
Side Posts	SPS20-000074	34
Side Posts	SPS21-000167	50
Side Top Rails	SPS02-06388-62075	68
Side Top Rails	SPS02-20573-62350	68
Side Top Rails	SPS02-30485-62450	68
Side Top Rails	SPS02-30486-62450	68
Steel I-Beams	SPS04-18454-00100	96
Tube Styles	SPS01-29696-01507	97

WABASH Applications

Product Category	Part No.	Pg
Composite Panels	FCB030-875	74
Composite Panels	FCB030-875-001	74
Composite Panels	FCB030-876	74
Composite Panels	WAB01P00882	75
Composite Panels	WAB01P02462-04	75
Composite Panels	WAB01P02609-11	75
Composite Panels	WAB01P03282	75
Composite Panels	WAB01P03501	75
Composite Panels	WAB01P03618	75
Composite Panels	WAB01P03763	75
Composite Panels	WAB01P04162	75
Composite Panels	WAB01P04227-05	75
Composite Panels	WAB01P04275	75
Composite Panels	WAB01P04276	75
Composite Panels	WAB01104752	74
Composite Panels	WAB01105024	74
Composite Panels	WAB01105099	74
Composite Panels	WAB01107140	74
Composite Panels	WAB01107141	74
Composite Panels	WAB01107954	74
Composite Panels	WAB01108099-05	74
Composite Panels	WAB01108479	74
Composite Panels	WAB01108577	74
Composite Panels	WAB01108601	74
Composite Panels	WAB01109842	74

ROAD EQUIPMENT PARTS CENTER



Applications

WABASH Applications

Product Category	Part No.	Pg
Composite Panels	WAB01110002-80	74
Composite Panels	WAB01110183	74
Composite Panels	WAB01110288	74
Composite Panels	WAB01110315-01	74
Composite Panels	WAB01110315-05	74
Composite Panels	WAB01110315-06	75
Composite Panels	WAB01110315-14	75
Composite Panels	WAB01110425-19	75
Composite Panels	WAB01110425-20	75
Composite Panels	WABA01P02817-06	75
Corner Caps	FCB005-875	14
Corner Radius	FCB025-880	36
Corner Radius	FCB025-882	36
Corrugated Panels	FCB030-879	76
Nose Rails	FCB040-875	22
Nose Rails	FCB040-877	22
Nose Rails	FCB040-878	22
Nose Rails	FCB040-882	23
Nose Rails	FCB040-883	23
Side Bottom Rails	FCB045-879-001	63
Side Bottom Rails	FCB045-883	63
Side Posts	FCB035-880	52
Side Posts	FCB035-880-002	53
Side Posts	FCB035-880-004	53
Side Top Rails	FCB050-877	69
Side Top Rails	FCB050-883	69

WABASH TRUCK BODY Apps

Product Category	Part No.	Pg
Corner Caps	SUP04400049	14
Corner Caps	SUP04400050	14
Corner Radius	SUP015247001	37
Corner Radius	SUP0027928044	37
Corner Radius	SUP0027928045	37
Roof Bows	SUP07200142-03	89
Roof Bows	SUP07200142-04	89
Roof Radius	SUP04A02754-01	41
Roof Radius	SUP04A02754-02	41
Rub Rail End Cap	SUPA1300340	56
Side Bottom Rails	SUPED672334	63
Side Bottom Rails	SUPED673054	63
Side Bottom Rails	SUPED673294	63
Side Posts	SUP01201147-07	53
Side Posts	SUP01201150-06	53
Side Posts	SUP015201011A	53
Side Rub Rails	SUPED153000	57
Side Top Rails	SUP002058210004	70
Side Top Rails	SUP002076570012	70
Side Top Rails	SUP002080920002	70
Side Top Rails	SUPEC783900	70

Strick Applications

Product Category	Part No.	Pg
Corner Caps	SK14394	12
Corner Caps	STR01792	12
Corner Caps	STR03500	12
Corner Caps	STR13256	12
Corner Caps	STR13257	12
Corner Caps	STR14393	13
Corner Caps	STR54280	13
Corner Caps	STR54960	13
Corner Caps	STR55724	13
Corner Protectors	STR63901	17
Corner Radius	STR47158	34
Corner Radius	STR55567	34
Corner Radius	STR58964	34
J Moldings	STR01803	85
Liner Panels	STR62150	81
Liner Panels	STR62151	81
Nose Rails	STR47284	21
Nose Rails	STR52017	21
Roof Bows	STR01510	88
Roof Bows	STR01512	88
Roof Bows	STR01513	88
Side Bottom Rails	STR01857	62
Side Posts	STR54120	50
Side Posts	STR54244	50
Side Posts	STR59329	50
Side Posts	STR62014	51
Side Posts	STR728437	51
Side Top Rails	STR03396	68
Steel I-Beams	STR01695	96
Tube Styles	STR03760	97

Trailmobile Applications

Product Category	Part No.	Pg
Connector Posts	90-4-2349-0-121	38
Corner Caps	7511-A1-05	13
Corner Caps	7511-A1-06L	13
Corner Caps	7511-A1-06R	13
Corner Caps	7511-A1-08	13
Corner Radius	RP-130-MFA	34
Corner Radius	RP-881-PPW	34
Corner Radius	RP-958K-PPW	35
Front Posts	90-4-2400P-0-116	43
Nose Rails	511-1-130B	22
Nose Rails	7511-1-125B	22
Roof Bows	90-4-1801-0-100	88
Roof Bows	514-3-145A-2	88
Roof Bows	514-3-152B	88
Roof Bows	9514-3-78B	88
Side Bottom Rails	90-4-2352-621	62
Side Posts	90-4-483-0-114	51
Side Posts	90-4-1988P-0-112	51
Side Posts	7513-5-044-1166	51
Side Top Rails	90-4-1399-613	68

WABASH TRUCK BODY Apps

Product Category	Part No.	Pg
Composite Panels	SUP0661035	74
Composite Panels	SUP01110516-06	74
Connector Posts	SUP04A02763-04	38
Connector Posts	SUP01201149-13	38
Connector Posts	SUP01201149-14	38
Connector Posts	SUP002011173007	38
Corner Cap Brackets	SUP04S03486	15
Corner Cap Wire Covers	SUP116468	16
Corner Cap Wire Covers	SUP116469	16
Corner Cap Wire Covers	SUP116470	16
Corner Cap Wire Covers	SUP116471	16
Corner Cap Wire Covers	SUP04400045	15
Corner Cap Wire Covers	SUP04400046	16
Corner Caps	SUP116385	14
Corner Caps	SUP116386	14
Corner Caps	SUP116404	15
Corner Caps	SUP116405	15
Corner Caps	SUP04400048	14

Vanguard Applications

Product Category	Part No.	Pg
Composite Panels	FCB030-865	74
Corner Radius	FCB025-860	36
Nose Rails	FCB040-860	22
Nose Rails	FCB040-865	22
Roof Bows	FCB055-860	89
Side Bottom Rails	FCB045-865	63
Side Posts	FCB035-860	52
Side Posts	FCB035-865	52
Side Posts	FCB035-865-001	52
Side Top Rails	FCB050-865	69



ROAD EQUIPMENT PARTS CENTER

Applications

Mickey Applications

Product Category	Part No.	Pg
Corner Caps	FCB005-460	10
Corner Caps	FCB005-460-001	10
Corner Caps	FCB005-461	10
Corner Caps	FCB005-461-001	10
Corner Radius	FCB025-461	30
Corner Radius	FCB025-462	31
Roof Bows	FCB055-461	87
Roof Radius	FCB025-460	40
Side Top Rails	FCB050-460	66
Starter Roof Bows	FCB055-460	89

Morgan Applications

Product Category	Part No.	Pg
Roof Radius	FCB025-753	40
Roof Radius	FCB025-753-001	40
Roof Radius	FCB025-755-001	40
Roof Radius	MOR13500	40
Roof Radius	MOR13502	40
Roof Radius	MOR1358401	40
Rub Rail End Cap	FCB005-756-003	56
Rub Rail End Caps	MOR006972	56
Side Bottom Rails	FCB045-751	61
Side Bottom Rails	FCB045-758-028	61
Side Bottom Rails	MOR000785	61
Side Bottom Rails	MOR14038205	61
Side Posts	FCB035-002	48
Side Posts	FCB035-751	48
Side Posts	MOR14211	48
Side Posts	MOR01913063	48
Side Posts	MORA0000119	48
Side Rub Rails	FCB045-756	57
Side Rub Rails	MOR0045597	57
Side Top Rails	FCB050-756	67
Side Top Rails	FCB050-758	67
Side Top Rails	MOR00015904	67
Side Top Rails	MOR00033901	67
Starter Roof Bows	FCB055-758	90
Starter Roof Bows	MOR0192303	89

Morgan Applications

Product Category	Part No.	Pg
Composite Panels	MOR0699900	74
Composite Panels	MOR06998806	74
Connector Posts	FCB035-750	37
Connector Posts	FCB035-753	37
Connector Posts	FCB035-758	37
Connector Posts	MOR00165	37
Connector Posts	MOR001483	38
Connector Posts	MOR1620005	37
Connector Posts	MOR1623007	37
Corner Cap Brackets	FCB005-757	15
Corner Cap Brackets	FCB005-758	15
Corner Cap Brackets	MOR12325	15
Corner Cap Brackets	MOR12326	15
Corner Caps	FCB005-756	11
Corner Caps	FCB005-756-001	11
Corner Caps	MOR6266420	11
Corner Caps	MOR6266520	11
Corner Caps	MOR006720056	11
Corner Caps	MOR006720057	11
Corner Radius	FCB025-754	31
Corner Radius	FCB025-754-001	31
Corner Radius	FCB025-755	31
Corner Radius	MOR00660	31
Corner Radius	MOR01424	31
Corner Radius	MOR0065363	31
J Moldings	MOR003951	85
Roof Bows	FCB055-754	87
Roof Bows	FCB055-755	89
Roof Bows	FCB055-756	87
Roof Bows	FCB055-757	89
Roof Bows	FCB055-759	87
Roof Bows	MOR0190330	87
Roof Bows	MOR0190340	87
Roof Bows	MOR0192304	89

ROAD EQUIPMENT PARTS CENTER



1/4X1	117	7511-A1-06R	13	1025906	112	1157033	96
1/4X1-1/2	117	7511-A1-08	13	1025907	112	1157034	95
1/4X2	117	7513-5-044-1166	51	1025908	112	1157035	96
1/4X3	117	9514-3-78B	88	1025909	112	1157039	96
1/4X3/4	117	30500	104	1025910	112	1164250-MC18	84
01-21122-006-00	48	90891	104	1025911	112	1164250-MC24	84
3/4X96	80	90892	104	1025912	112	1164500-MC	84
3/4X624	80	90893	104	1025913	112	1164512	84
03-06347-110-00	48	90915	105	1025914	112	1164517	84
3X50	108	1010112	117	1025915	112	1164519	90
4X50	108	1011012	80	1025916	112	1164524	90
4X50WH	108	1011013	80	1025919	112	1164530	90
5/8X24X52-BLK	80	1011037	43	1025920	112	1164531	84
5/8X24X52-WH	80	1011039	85	1025921	112	1164532	84
5/16-18X2	114	1013474	104	1025922	112	1164535	84
6X50	108	1013476	104	1025923	112	1165075	84
7/8X48X120	76	1013477	104	1025924	112	1165100-TR	84
11/4X13X624	100	1013478	104	1025925	112	1190161	106
11/4X312	100	1013479	104	1025926	112	1190162	106
11/4X624	100	1013492	114	1025927	112	1190163	106
11/8X312	100	1013492-100	114	1025935	112	1190168	106
11/8X624	100	1013493	114	1025938	112	9910129	100
13/8X13X624	100	1013493-100	114	1025941	112	9910130	100
13/8X312	100	1013494	114	1025948	112	AJT1610	113
13/8X624	100	1013494-100	114	1025949	112	AJT1611	113
040X103	84	1013495	114	1026075	114	AJT1620	113
040X103FT	84	1013495-100	114	1026080	114	AJT1621	113
50-18Z-487	117	1013496	114	1026085	114	AJT1636	113
050X49X110BLK-PVC	76	1013496-100	114	1059065	108	AJT4538	113
050X49X110PRBLUE	76	1013498	114	1059610	108	AJTSM5045512	113
050X49X110WH	76	1013498-50	114	1063098	101	AP1-1/8X5X16	100
050X49X110WHLP	76	1013500	114	1063099	101	AP1-1/8X7X16	100
050X49X120WH	76	1013500-50	114	1100415	105	AP1-5/16X5X16	100
050X49X144WH	76	1013502	114	1100416	105	AP1-5/16X7X16	100
90-4-483-0-114	51	1013502-50	114	1100800	105	AP2X8X18	100
90-4-1399-613	68	1014341	80	1100825	105	AP3/4X2-5/8X16	80
90-4-1666-0-112	76	1014342-39	80	1100843	105	EC53AB	108
90-4-1801-0-100	88	1014342-52	80	1100844	105	EC1055AB	108
90-4-1988P-0-112	51	1014343-52	80	1100845	106	FCB005-075	8
90-4-2349-0-121	38	1014344-52	80	1100846	106	FCB005-075-001	8
90-4-2352-621	62	1014345	80	1100848	105	FCB005-217	8
90-4-2400P-0-116	43	1014348	80	1100849	105	FCB005-218	8
511-1-130B	22	1014349	80	1100850	105	FCB005-219	8
514-3-145A-2	88	1014356	80	1100851	106	FCB005-220	8
514-3-152B	88	1014357	80	1100852	106	FCB005-220-001	8
700-50-28	117	1025371	114	1100853	106	FCB005-370	9
700-50-29	117	1025371-100	114	1100855	106	FCB005-370-001	9
700-50-30	117	1025373	114	1100856	106	FCB005-401	9
700-50-31	117	1025373-100	114	1100857	106	FCB005-440	9
700-99-186	108	1025374	114	1157011	94	FCB005-440-001	9
700-99-193	108	1025374-100	114	1157015	94	FCB005-440-002	10
1664LPT	109	1025900	112	1157016	94	FCB005-460	10
1666LPT	109	1025901	112	1157021	94	FCB005-460-001	10
2352M	109	1025902	112	1157023	94	FCB005-461	10
7511-1-125B	22	1025903	112	1157024	94	FCB005-461-001	10
7511-A1-05	13	1025904	112	1157030	95	FCB005-475	10
7511-A1-06L	13	1025905	112	1157031	95	FCB005-500	10



ROAD EQUIPMENT PARTS CENTER

FCB005-501	10	FCB025-806-001	36	FCB040-211	20	FCB055-204	86
FCB005-502	10	FCB025-807	36	FCB040-214	20	FCB055-370	89
FCB005-521	15	FCB025-807-002	36	FCB040-220	20	FCB055-400	87
FCB005-530	11	FCB025-825-001	41	FCB040-221	20	FCB055-460	89
FCB005-530-001	11	FCB025-826	35	FCB040-806	22	FCB055-461	87
FCB005-756	11	FCB025-860	36	FCB040-807	22	FCB055-520	90
FCB005-756-001	11	FCB025-880	36	FCB040-860	22	FCB055-530	87
FCB005-756-003	56	FCB025-882	36	FCB040-865	22	FCB055-754	87
FCB005-757	15	FCB025-900	39	FCB040-875	22	FCB055-755	89
FCB005-758	15	FCB025-901	40	FCB040-877	22	FCB055-756	87
FCB005-825	13	FCB025-901-001	39	FCB040-878	22	FCB055-757	89
FCB005-825-001	14	FCB025-902	26	FCB040-882	23	FCB055-758	90
FCB005-826	14	FCB025-905-002	26	FCB040-883	23	FCB055-759	87
FCB005-826-001	14	FCB030-200	76	FCB045-205	58	FCB055-805	88
FCB005-875	14	FCB030-205	76	FCB045-210-001	58	FCB055-825-001	90
FCB005-890	56	FCB030-214	76	FCB045-214	58	FCB055-860	89
FCB010-805	95	FCB030-220	74	FCB045-218	58	FCB960-101-624	80
FCB010-805-001	95	FCB030-220-001	74	FCB045-219	58	FP12KIT	107
FCB010-910-002	95	FCB030-580	74	FCB045-220-001	58	FP100-BULK	108
FCB010-920	94	FCB030-800	76	FCB045-221	59	FP100-QT	108
FCB010-927	94	FCB030-865	74	FCB045-751	61	FP200	107
FCB025-076	26	FCB030-875	74	FCB045-756	57	FP620	107
FCB025-200	26	FCB030-875-001	74	FCB045-758-028	61	GHA-15	107
FCB025-201	26	FCB030-876	74	FCB045-806	62	HSB15803	115
FCB025-201-001	26	FCB030-879	76	FCB045-806-001	59	HSB15804	115
FCB025-201-002	39	FCB030-919-001	76	FCB045-807	63	HSB15816	115
FCB025-211	26	FCB030-919-002	76	FCB045-865	63	HSB15826	115
FCB025-214	27	FCB030-925	76	FCB045-879-001	63	HSB15827	115
FCB025-218	27	FCB035-002	48	FCB045-883	63	HSB15829	115
FCB025-218-001	39	FCB035-200	44	FCB045-890	56	HSB15830	115
FCB025-218-002	27	FCB035-202	41	FCB045-910	57	HSB16022	115
FCB025-220	27	FCB035-205	44	FCB045-911	57	HSB16023	115
FCB025-221	27	FCB035-220	44	FCB050-075	64	HSB16030	115
FCB025-301	38	FCB035-220-001	44	FCB050-217	64	HSB16031	115
FCB025-370	40	FCB035-301	44	FCB050-218	64	HSB16032	115
FCB025-371	30	FCB035-370	37	FCB050-219	64	HSB16034	115
FCB025-400	30	FCB035-520	38	FCB050-220-001	64	HW11/4X144	100
FCB025-440	30	FCB035-559	45	FCB050-221	64	HW11/4X288	100
FCB025-460	40	FCB035-750	37	FCB050-370	66	HW11/8X144	100
FCB025-461	30	FCB035-751	48	FCB050-460	66	HW11/8X156	100
FCB025-462	31	FCB035-753	37	FCB050-510-001	66	HW11/8X288	100
FCB025-502	31	FCB035-758	37	FCB050-520	67	HW11/8X312	100
FCB025-503	31	FCB035-802	51	FCB050-530	67	HW13/8X144	100
FCB025-520	40	FCB035-807	52	FCB050-756	67	HW13/8X288	100
FCB025-521	31	FCB035-807-001	52	FCB050-758	67	HY200TDB007X01	29
FCB025-531	40	FCB035-825	44	FCB050-806	69	HY200TDB007X02	29
FCB025-753	40	FCB035-860	52	FCB050-807	69	HY1170AA002G01	96
FCB025-753-001	40	FCB035-865	52	FCB050-826	69	HY1170AA007G01	96
FCB025-754	31	FCB035-865-001	52	FCB050-865	69	HY3110DA027X27	76
FCB025-754-001	31	FCB035-880	52	FCB050-877	69	HY3110-DA461-X02	76
FCB025-755	31	FCB035-880-002	53	FCB050-883	69	HY5100DA001X02	86
FCB025-755-001	40	FCB035-880-004	53	FCB055-075	89	HY6200DA040V04	39
FCB025-802-001	35	FCB035-901	53	FCB055-151	85	HY6200DA040V05	39
FCB025-802-002	35	FCB035-903	45	FCB055-200	86	HY6200LDA003V06	39
FCB025-802-003	35	FCB035-904	45	FCB055-200-001	86	HY6200RDA003V06	39
FCB025-805	35	FCB035-905	41	FCB055-202	86	HY10003146	20
FCB025-805-001	35	FCB040-209	20	FCB055-203	86	HY10005195	20

ROAD EQUIPMENT PARTS CENTER



HY10007272.....	45	HY20064923.....	42	M46010.....	116	QP300-QT.....	107
HY10009128.....	45	HY20076832.....	43	M46011.....	116	RP-130-MFA.....	34
HY10011202.....	45	HY20084076.....	28	M46014.....	116	RP-881-PPW.....	34
HY10013255.....	20	HY20084150.....	28	M46351.....	116	RP-958K-PPW.....	35
HY10013257.....	8	HY20092262.....	28	M56011.....	116	SDS056.....	115
HY10015416.....	8	HY20092263.....	28	MOR00165.....	37	SDS058.....	115
HY10016265.....	20	HY20116322.....	29	MOR00660.....	31	SK14394.....	12
HY10019375.....	46	HYBEAMAA011X01.....	95	MOR000785.....	61	SPS01-09904-XXX15.....	76
HY10019499.....	74	HYE05-023-1068.....	29	MOR01424.....	31	SPS01-12907-00100.....	21
HY10021329.....	21	HYE05-031-1100.....	29	MOR001483.....	38	SPS01-12994-XXX00.....	32
HY10022262.....	46	HYE05-036-1098.....	29	MOR003951.....	85	SPS01-19981-00600.....	43
HY10023498.....	46	HYE05-040-1120.....	29	MOR006972.....	56	SPS01-19981-03300.....	43
HY10025434.....	74	HYE05-041-103B.....	30	MOR12325.....	15	SPS01-20165-XXX-00.....	32
HY10030203.....	46	HYE05-043-1100.....	30	MOR12326.....	15	SPS01-20835-11700.....	48
HY10030205.....	81	HYU2300-DA034-X01.....	16	MOR13500.....	40	SPS01-20835-21700.....	48
HY10030206.....	81	HYU2300-DA034-X07.....	16	MOR13502.....	40	SPS01-20893-10500.....	32
HY10031775.....	96	HYU2300LAA010X01.....	16	MOR14211.....	48	SPS01-22292-00000.....	56
HY10035596.....	86	HYU2300RAA010X01.....	16	MOR00015904.....	67	SPS01-22503-XX600.....	74
HY10035778.....	46	HYU10009072.....	57	MOR00033901.....	67	SPS01-22583-10600.....	32
HY10036041.....	74	HYU10012834.....	59	MOR0045597.....	57	SPS01-22583-20600.....	32
HY10036046.....	46	HYU10014546.....	97	MOR0065363.....	31	SPS01-23264-00600.....	49
HY10037274.....	46	HYU10015378.....	9	MOR0190330.....	87	SPS01-23264-02900.....	49
HY10038647.....	46	HYU10015708.....	65	MOR0190340.....	87	SPS01-23264-03000.....	49
HY10039523.....	47	HYU10020735.....	86	MOR0192303.....	89	SPS01-26416-10600.....	32
HY10041439.....	47	HYU10023185.....	65	MOR0192304.....	89	SPS01-26416-10615.....	33
HY10042052.....	74	HYU10024232.....	59	MOR0699900.....	74	SPS01-26416-20600.....	33
HY10042054.....	74	HYU10026068.....	87	MOR1358401.....	40	SPS01-26416-20615.....	33
HY10042083.....	46	HYU10026320.....	59	MOR1620005.....	37	SPS01-27249-10600.....	33
HY10043197.....	9	HYU10028597.....	59	MOR1623007.....	37	SPS01-27249-20600.....	33
HY10043198.....	9	HYU10028852.....	57	MOR01913063.....	48	SPS01-28882-03100.....	49
HY10044433.....	74	HYU10034643.....	60	MOR6266420.....	11	SPS01-28889-10600.....	33
HY10046094.....	47	HYU10039709.....	65	MOR6266520.....	11	SPS01-28889-20600.....	33
HY10048598.....	74	HYU10040083.....	60	MOR006720056.....	11	SPS01-28916-03100.....	49
HY10048813.....	74	HYU10049296.....	65	MOR006720057.....	11	SPS01-29028-00000.....	17
HY10049253.....	74	HYU10052616.....	65	MOR06998806.....	74	SPS01-29472-00000.....	17
HY10053383.....	41	HYU10055278.....	65	MOR14038205.....	61	SPS01-29696-01507.....	97
HY10053901.....	41	HYU10055833.....	66	MORA0000119.....	48	SPS02-06388-08350.....	21
HY10054764.....	42	HYU10060537.....	66	NL24X24X48.....	81	SPS02-06388-09150.....	21
HY10056705.....	42	HYU10060538.....	60	NL075X102.5X54.....	84	SPS02-06388-62075.....	68
HY10059703.....	96	HYU10060549.....	66	NL075X102MC.....	84	SPS02-19469-32125.....	61
HY10061587.....	42	HYU10060550.....	60	NL075X102X24.....	84	SPS02-20573-62350.....	68
HY10062532.....	95	HYU10060551.....	60	NL075X102X26.....	84	SPS02-22823-62450.....	62
HY10063408.....	21	HYU10062522.....	60	NL075X102X29.....	84	SPS02-22839-62350.....	62
HY10066880.....	27	HYU10064608.....	56	NL075X102X54.....	84	SPS02-28458-62450.....	62
HY10067082.....	47	HYU10072624.....	61	NL075X102X500ETR.....	84	SPS02-30306-09019.....	21
HY10072604.....	47	KTRM011016-1.....	9	NL090X4X8.....	81	SPS02-30485-62450.....	68
HY10072649.....	47	LIFTPAD-60.....	63	NL090X4X9.....	81	SPS02-30486-62450.....	68
HY10072762.....	21	LIFTPAD-120.....	63	NL090X12X53.....	81	SPS03-07882-00400.....	95
HY10072908.....	74	M40349.....	116	NL090X16X53.....	81	SPS03-12991-11000.....	43
HY10072967.....	74	M40353.....	116	NL090X24X53.....	81	SPS04-12835-00000.....	11
HY10073786.....	74	M40360.....	116	NL090X48X53.....	81	SPS04-18454-00100.....	96
HY20011744.....	42	M42183.....	116	NL090X96X53.....	81	SPS04-19507-00000.....	12
HY20032332.....	27	M42383.....	116	NL090X101X53.....	81	SPS04-20577-00600.....	49
HY20033886.....	28	M42389.....	116	NL120X4X8.....	81	SPS04-20671-00600.....	49
HY20050642.....	28	M44449.....	116	NL120X16X53.....	81	SPS04-21216-00000.....	50
HY20051352.....	42	M44450.....	116	P8112.....	109	SPS04-21987-00000.....	56
HY20054038.....	28	M46009.....	116	QP300-BULK.....	107	SPS04-22044-20000.....	12



ROAD EQUIPMENT PARTS CENTER

SPS04-23723-09800.....	81	SUP01201147-07.....	53	WAB01107954.....	74
SPS04-23724-09800.....	81	SUP01201149-13.....	38	WAB01108099-05.....	74
SPS04-25967-00600.....	49	SUP01201149-14.....	38	WAB01108479.....	74
SPS04-28321-00100.....	87	SUP01201150-06.....	53	WAB01108577.....	74
SPS04-28850-00000.....	12	SUP04400045.....	15	WAB01108601.....	74
SPS04-29105-00600.....	50	SUP04400046.....	16	WAB01109842.....	74
SPS04-29200-00600.....	49	SUP04400048.....	14	WAB01110002-80.....	74
SPS20-000002.....	12	SUP04400049.....	14	WAB01110183.....	74
SPS20-000073.....	34	SUP04400050.....	14	WAB01110288.....	74
SPS20-000074.....	34	SUP07200142-03.....	89	WAB01110315-01.....	74
SPS21-000075.....	74	SUP07200142-04.....	89	WAB01110315-05.....	74
SPS21-000166.....	74	SUP015201011A.....	53	WAB01110315-06.....	75
SPS21-000167.....	50	SUP015247001.....	37	WAB01110315-14.....	75
STR01510.....	88	SUP0027928044.....	37	WAB01110425-19.....	75
STR01512.....	88	SUP0027928045.....	37	WAB01110425-20.....	75
STR01513.....	88	SUP002011173007.....	38	WABA01P02817-06.....	75
STR01695.....	96	SUP002058210004.....	70	X213X96.....	81
STR01792.....	12	SUP002076570012.....	70	X6138X120.....	85
STR01796.....	94	SUP002080920002.....	70	X6148X120.....	85
STR01803.....	85	SUPA1300340.....	56	X6148X144.....	85
STR01857.....	62	SUPEC783900.....	70		
STR03396.....	68	SUPED153000.....	57		
STR03500.....	12	SUPED672334.....	63		
STR03760.....	97	SUPED673054.....	63		
STR13256.....	12	SUPED673294.....	63		
STR13257.....	12	SUPNUT00307.....	117		
STR14393.....	13	SUPNUT00308.....	117		
STR47158.....	34	SUPNUT00310.....	117		
STR47284.....	21	SUPNUT00311.....	117		
STR52017.....	21	SUPNUT00312.....	117		
STR54120.....	50	TAP62751006.....	109		
STR54244.....	50	TP640.....	104		
STR54280.....	13	V623.....	109		
STR54960.....	13	V712.....	109		
STR55567.....	34	V1212G.....	107		
STR55724.....	13	V1212N.....	107		
STR58964.....	34	V1212W.....	107		
STR59329.....	50	V1224N.....	107		
STR62014.....	51	V1224W.....	107		
STR62150.....	81	V2845.....	109		
STR62151.....	81	VF1224T.....	107		
STR63901.....	17	WAB01P00882.....	75		
STR728437.....	51	WAB01P02462-04.....	75		
SUP04A02754-01.....	41	WAB01P02609-11.....	75		
SUP04A02754-02.....	41	WAB01P03282.....	75		
SUP04A02763-04.....	38	WAB01P03501.....	75		
SUP04S03486.....	15	WAB01P03618.....	75		
SUP116385.....	14	WAB01P03763.....	75		
SUP116386.....	14	WAB01P04162.....	75		
SUP116404.....	15	WAB01P04227-05.....	75		
SUP116405.....	15	WAB01P04275.....	75		
SUP116468.....	16	WAB01P04276.....	75		
SUP116469.....	16	WAB01104752.....	74		
SUP116470.....	16	WAB01105024.....	74		
SUP116471.....	16	WAB01105099.....	74		
SUP0661035.....	74	WAB01107140.....	74		
SUP01110516-06.....	74	WAB01107141.....	74		